

**BTMM SERIES**

(2,00 mm) .0787"

# LOW PROFILE SQUARE POST JUMPER

**SPECIFICATIONS**

For complete specifications see [www.samtec.com?BTMM](http://www.samtec.com?BTMM)

**Insulator Material:**  
Black Liquid Crystal Polymer

**Terminal Material:**  
Phosphor Bronze

**Plating:**  
Sn over 50µ" (1,27µm) Ni

**Operating Temp Range:**  
-55°C to +105°C

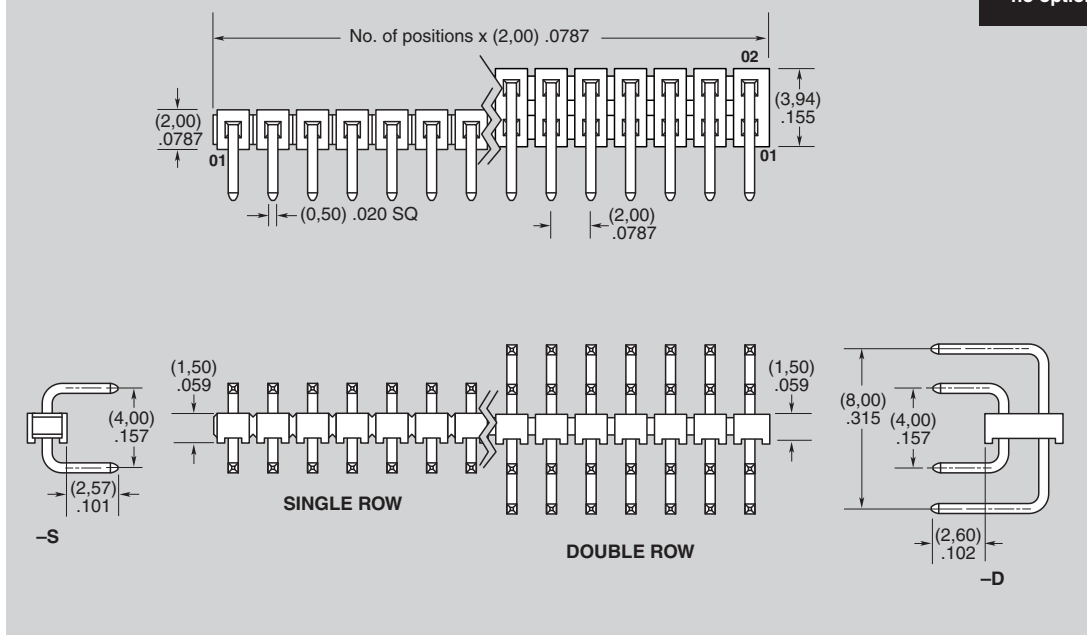
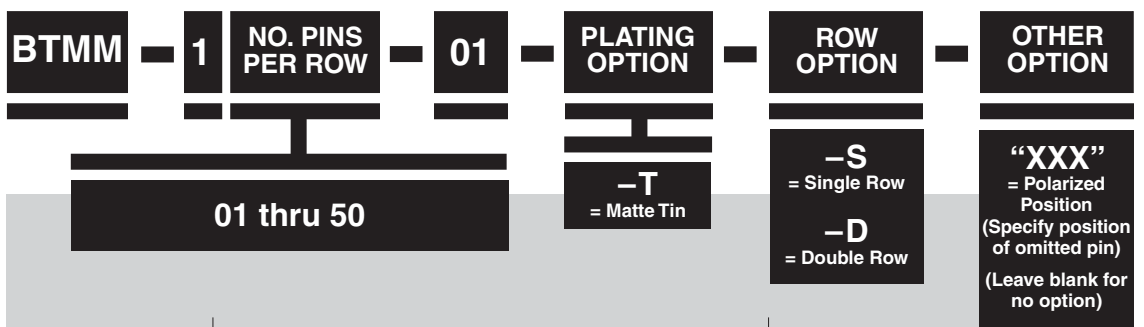
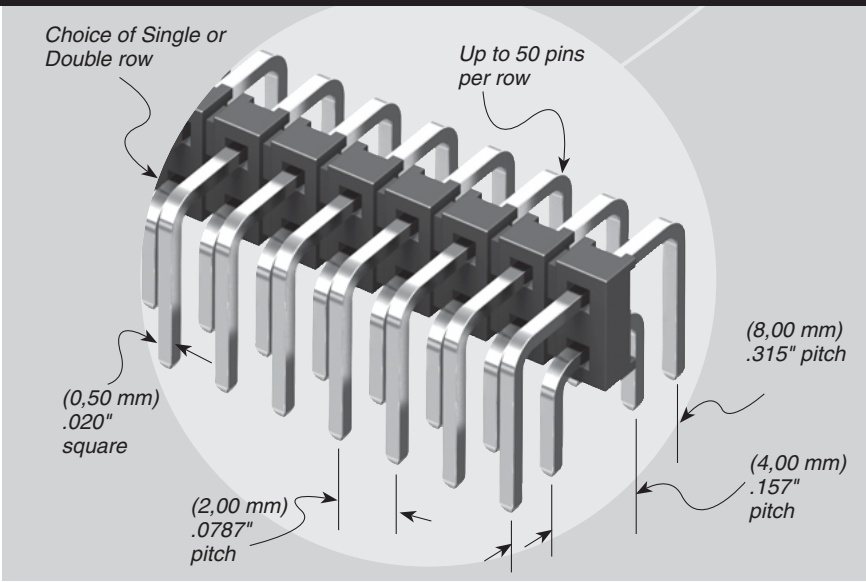
**RoHS Compliant:**  
Yes

**Lead-Free Solderable:**  
Yes

**RECOGNITIONS**

For complete scope of recognitions see [www.samtec.com/quality](http://www.samtec.com/quality)

FILE NO. E111594



**Note:** Some sizes, styles and options are non-standard, non-returnable.