



LTC-7PN



KEEPER II NON-RECHARGEABLE - LITHIUM / THIONYL CHLORIDE

Product Name Prismatic Battery

APPLICATIONS

Airports; Emergency; Industrial; Inventory Management; Measuring/Monitoring; Medical; Navigation; Specialized Products

PERFORMANCE SPECIFICATIONS

| | |
|--------------------------------------|-----|
| Voltage (Volts) | 3.5 |
| Capacity (MilliAmp-Hours) | 750 |
| Temperature:Low (Fahrenheit) | -67 |
| Temperature:High (Fahrenheit) | 185 |

DIMENSIONS AND WEIGHT

| | |
|----------------------------------|------|
| Width/Diameter (Inches) | 0.65 |
| Length/Depth (Inches) | 1 |
| Weight (grams) | 6.8 |
| Height/Thickness (Inches) | 0.26 |

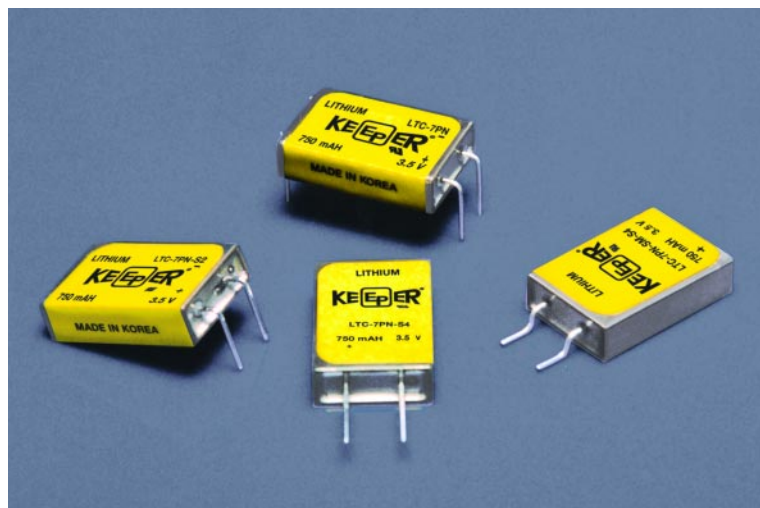
CELL SIZE

Cell Size/Type Prismatic Cells

PRODUCT NOTES

UL recognized, no charging circuits required, non-pressurized system

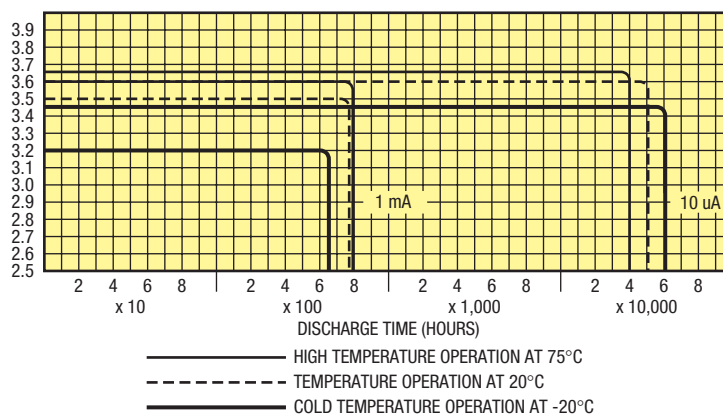
The LTC-7PN series was design specifically to be printed circuit board (PCB) compatible. With a low profile, prismatic shape, this battery is unique in the industry and a perfect match for space saving requirements. Available in 3 PCB and 1 surface mounting configurations, these cells provide high quality, high energy density, non-position sensitive solutions to your high density electronics power needs.



LTC-7PN PRODUCT FEATURES

- Compliant with lead-free RoHS and WEEE EC directives.
- Low profile, prismatic design.
- Stainless steel construction provides corrosion resistance, hermetic seal and structural integrity.
- Years of low rate continuous use.
- Stand-by use with 80% capacity retention after 15 years at room temperature.
- Highly efficient utilization of valuable board space.
- Wave solderable (limit solder bath exposure to a maximum of 5 seconds).
- High energy density compared to other chemistries.
- No charging circuits required.
- Higher cell voltage allows for fewer cells and high reliability.
- Flat discharge characteristics provide optimum voltage regulation.
- Non-pressurized system allow for high temperature usage.
- Ship unrestricted. IATA No. UN3090.
- Underwriters Laboratories recognized component.

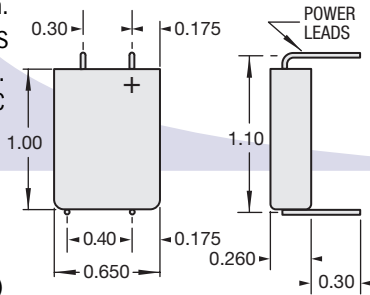
TYPICAL LTC-7PN DISCHARGE CHARACTERISTICS AT VARIED TEMPERATURES



| Part Number | Voltage | Capacity (mAh) | Length (in.) | Width (in.) | Thickness (in.) | Weight (g) |
|---------------|---------|----------------|--------------|-------------|-----------------|------------|
| LTC-7PN | 3.5 | 750 | 1.00 | 0.65 | 0.26 | 6.8 |
| LTC-7PN-S2 | 3.5 | 750 | 1.00 | 0.65 | 0.26 | 6.8 |
| LTC-7PN-S4 | 3.5 | 750 | 0.65 | 0.26 | 1.00 | 6.8 |
| LTC-7PN-SM-S4 | 3.5 | 750 | 1.00 | 0.70 | 0.26 | 6.8 |

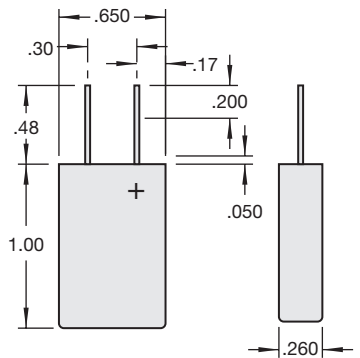
SPECIFICATIONS LTC-7PN

Nominal Open Circuit Voltage, 25°C 3.67 volts
 Nominal Working Voltage, 25°C 3.5 volts
 Nominal Capacity (350 hr. rate), 25°C 750 mAh
 Volume1625 cu. in.
 Weight 6.8 GMS
 Operating Temperature
-40°C to +95°C
 Case Material:
 304 Stainless Steel,
 Hermetically Sealed
 (case negative polarity)
 Terminal and Support Pins are
 .030" dia. (solder tinned)



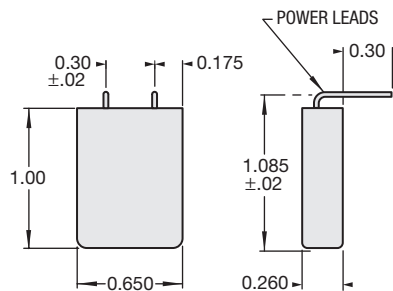
SPECIFICATIONS LTC-7PN-S4

Nominal Open Circuit Voltage, 25°C 3.67 volts
 Nominal Working Voltage, 25°C 3.5 volts
 Nominal Capacity (350 hr. rate), 25°C 750 mAh
 Volume1625 cu. in.
 Weight 6.8 GMS
 Operating Temperature
-40°C to +95°C
 Case Material:
 304 Stainless Steel,
 Hermetically Sealed
 (case negative polarity)
 Terminal and Support Pins are
 .030" dia. (solder tinned)



SPECIFICATIONS LTC-7PN-S2

Nominal Open Circuit Voltage, 25°C 3.67 volts
 Nominal Working Voltage, 25°C 3.5 volts
 Nominal Capacity (350 hr. rate), 25°C 750 mAh
 Volume1625 cu. in.
 Weight 6.8 GMS
 Operating Temperature
-40°C to +95°C
 Case Material: 304 Stainless Steel, Hermetically Sealed
 (case positive polarity)
 Terminal and Support Pins are .030" dia. (solder tinned)



The specifications on this sheet may be changed by EaglePicher without notice.
 EaglePicher™ is a trademark of and Keeper® is a registered trademark of EaglePicher Corporation.

Mouser Electronics

Authorized Distributor

Click to View Pricing, Inventory, Delivery & Lifecycle Information:

[Eagle-Picher:](#)

[LTC-7PNS4](#) [LTC-7PNS6](#) [LTC-7PN-S42](#) [LTC-7PN](#) [LTC7PN-SM-S4](#) [LTC7PN-S2](#)