



FREQUENCY STABILITY	
OVER:	
OPERATING TEMP. RANGE :	see note 1
LONG TERM AGING 1ST YEAR:	< ±0.7 ppm *
10 YEARS:	< ±4.0 ppm *
SUPPLY VOLTAGE ± 0.5 V	< ±0.1 ppm *
LOAD ±10%:	< ±0.01 ppm
POWER SUPPLY	
SUPPLY INPUT:	V _{CC} = 12 V ±0.5 V *
INPUT CURRENT :	< 25 mA @ +30 °C *
INPUT CURRENT :	< 40 mA @ -20 °C *
FREQUENCY CONTROL RANGE	
CONTROL VOLTAGE:	see note 2
FREQUENCY DEVIATION:	> ±4 ppm *
RESPONSE SLOPE:	positive
OUTPUT	
OUTPUT SIGNAL:	HC-MOS compatible
SYMMETRY:	40 (min.) / 60 (max.) % @ V _{CC} / 2 *
RISE AND FALL TIME:	t _r < 7ns t _f < 7 ns *
LEVEL „0“ AND „1“:	< 0.4 V > 5 V -0.5 V
FAN OUT (LOAD):	10 LS
ENVIRONMENT	
OPERABLE TEMP. RANGE:	-40 to +85 °C
STORAGE TEMP. RANGE:	-65 to +125 °C
VIBRATION:	10 to 2000 Hz / 10 g
SHOCK:	2000 g, 0.3 ms, ½ sine
PACKAGE:	DIL 14, 4 pins, GND to case
PACKAGE HEIGHT:	8 mm (see packaging info)
WARM-UP	
ΔF/F:	within spec after 30s @ 0°C *
CURRENT:	< 250 mA during 10s
MISCELLANEOUS	
SHORT TERM STABILITY:	< 5 E-10 0.1 s to 30 s Typical 5 E-11 @ 1 s
PHASE NOISE (BW = 1Hz):	1 Hz : -60 dBc / Hz 10 Hz : -90 dBc / Hz 100 Hz : -120 dBc / Hz 1 kHz : -130 dBc / Hz
* Customer's specification on request	

NOTE 1	
TEMP. RANGE *	<u>OCXOT-AR1, AV5</u> 0 to +60 °C
STABILITY *	±0.05 ppm (0.1 ppm peak to peak)
TEMP. RANGE *	<u>OCXOT-BR1, BV5</u> -20 to +70 °C
STABILITY *	±0.1 ppm (0.2 ppm peak to peak)
TEMP. RANGE *	<u>OCXOT-CR1, CV5</u> -40 to +85 °C
STABILITY *	±0.2 ppm (0.4 ppm peak to peak)

NOTE 2	
ADJUSTMENT WITH RESISTOR (connected to ground)	<u>OCXOT-AR1, BR1, CR1</u> 0 to 10 kΩ
INPUT IMPEDANCE	> -4.7 kΩ
ADJUSTMENT WITH VOLTAGE	<u>OCXOT-AV5, BV5, CV5</u> 0 to 5 V
INPUT IMPEDANCE	> 47 kΩ

MARKING EXAMPLE			
		Type	Spec No.
OCXOT-BV5		Frequency	Date Code
20.000 MHz	01.25	O (PIN 1)	Piece No.
O	12		

ORDERING INFORMATION EXAMPLE			
O C X O T - B V 5 20 MHz x x x			
Oscillator Type	O C X O = oven controlled Crystal Oscillator	T = tight tolerance	N° of customer spec.
Oscillator Version		Oscillator output frequency	
Temperature Range	A = 0 to +60°C; +/-0.05ppm B = -20 to +70°C; +/-0.1ppm C = -40 to +85°C; +/-0.2ppm X = custom spec.	Frequency Adjustment	R1 = external resistor V5 = voltage 5V Y = custom spec.

STANDARD FREQUENCIES (MHz)					
10.0000	12.8000	16.0000	16.3840	19.4400	20.0000
40.0000					

DATE:	June 2003	Revision No.: 7
-------	-----------	-----------------

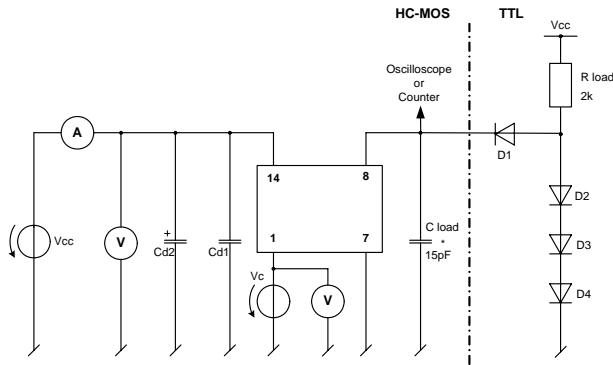
In accordance with our policy of continuous development and improvement, we reserve the right to modify the design or the specifications of our products without prior notice.

Headquarters: Micro Crystal
Div. of ETA SA
Mühlestrasse 14
CH-2540 Grenchen
Switzerland

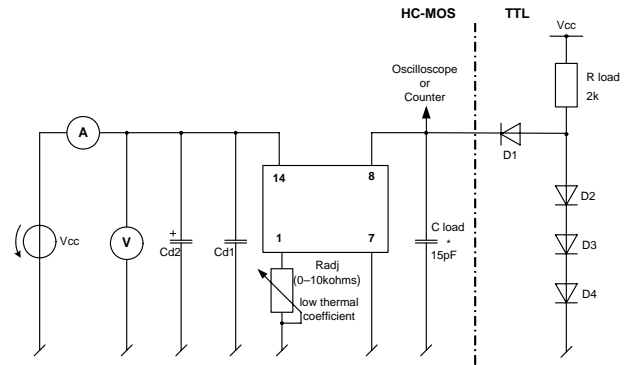
Tel. +41 32 655 82 82
Fax +41 32 655 80 90
Internet www.microcrystal.ch
Email sales@microcrystal.ch

Application and Test Circuit:

Adjustment with voltage

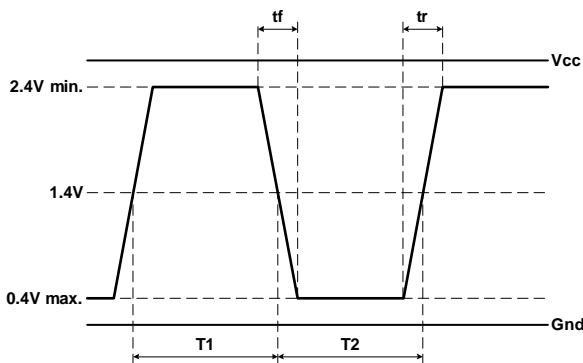


Adjustment with resistor

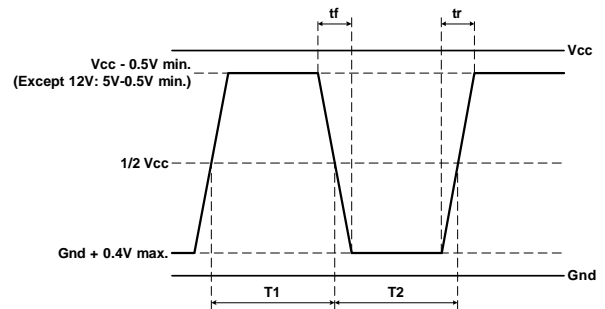


Waveform Output:

Waveshape TTL



Waveshape HC-MOS



$$Duty Cycle = 100 \times \frac{T1}{T1 + T2} [\%]$$

DATE:	June 2003	Revision No.: 6
-------	-----------	-----------------

In accordance with our policy of continuous development and improvement, we reserve the right to modify the design or the specifications of our products without prior notice.

Headquarters: Micro Crystal
 Div. of ETA SA
 Mühlestrasse 14
 CH-2540 Grenchen
 Switzerland

Tel. +41 32 655 82 82
 Fax +41 32 655 80 90
 Internet www.microcrystal.ch
 Email sales@microcrystal.ch