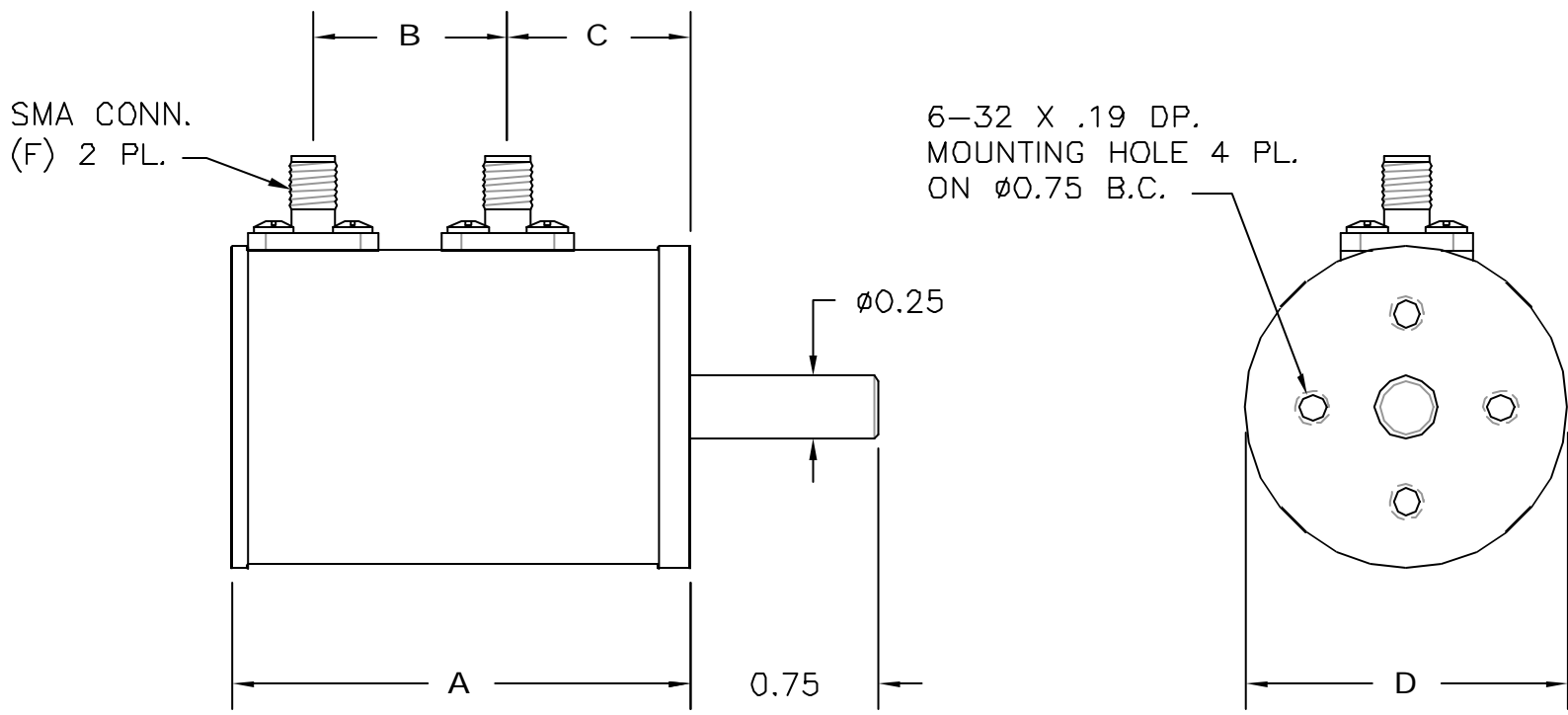

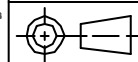


REV. A	DATE 5/30/01	INITIAL RELEASE
REV. B	DATE 6/19/02	ADDED DIMS FOR MOD# AS013-70-10
REV. C	DATE 8/22/02	REVISED AS013-10-1 DIMS: WAS: 1.83, IS: 2.00; WAS: Ø1.28, IS: Ø1.50



MODEL	DIM A	DIM B	DIM C	DIM D
AS013-10-1	2.00	.77	0.73	Ø1.50
AS013-60-10	2.40	1.36	0.73	Ø1.28
AS013-70-10	2.67	1.44	0.83	Ø1.50

MATERIAL	TREATMENT	DRAWN R. LYNCH	DATE 6/25/01
FINISH ATM STD. GRAY	MOD. NO. AS013-XX-XX	CHECKED	DATE
<b>OUTLINE, ROTARY STEP ATTENUATOR</b>		APPROVED	DATE
		<small>ADVANCED TECHNICAL MATERIALS, INC. 49 RIDER AVE., PATCHOGUE N.Y. 11772 TEL: (631) 289-0388 FAX: (631) 289-0358 <a href="http://www.atmmicrowave.com">http://www.atmmicrowave.com</a></small>	
<small>UNLESS OTHERWISE NOTED DIMENSIONS ARE IN INCHES TOLERANCES ARE:</small>		<small>FRACTIONS ±1/64</small>	<small>DECIMALS ±.01</small>
<small>ANGLES ±1/2°</small>		<small>SHEET. 1/1</small>	
<small>PROPRIETARY NOTICE: THE INFORMATION IN THIS DRAWING IS PROPRIETARY AND SHALL NOT BE USED OR DISCLOSED WITHOUT THE PRIOR WRITTEN CONSENT OF ATM, INC.</small>		<small>SCALE N.T.S.</small>	<small>DWG. NO. 4398W</small>
			<small>REV. C</small>