

PART NAME

VALU/LINE SERIES CABINET

PART No.

HC-14100

REVISION DATE

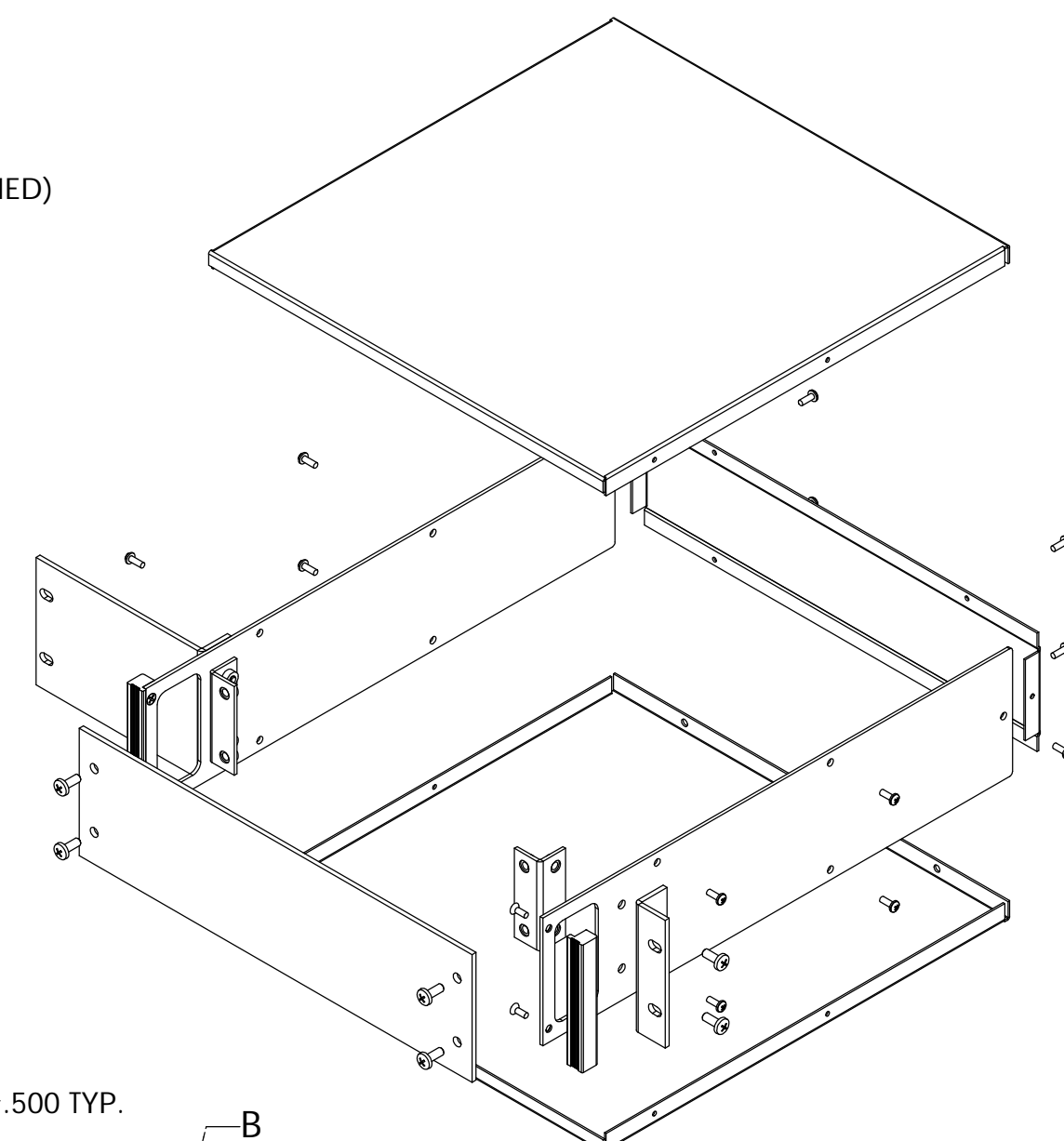
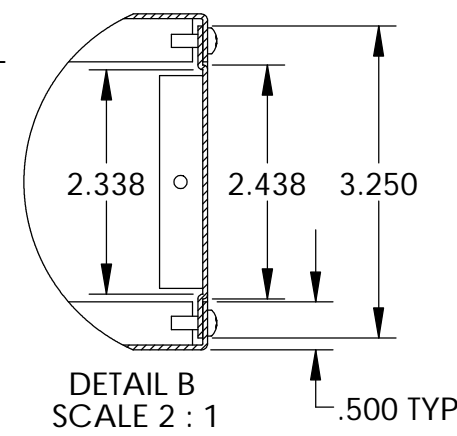
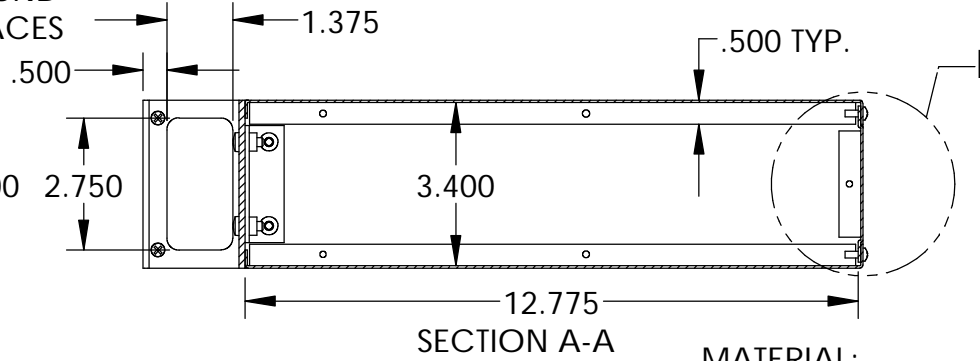
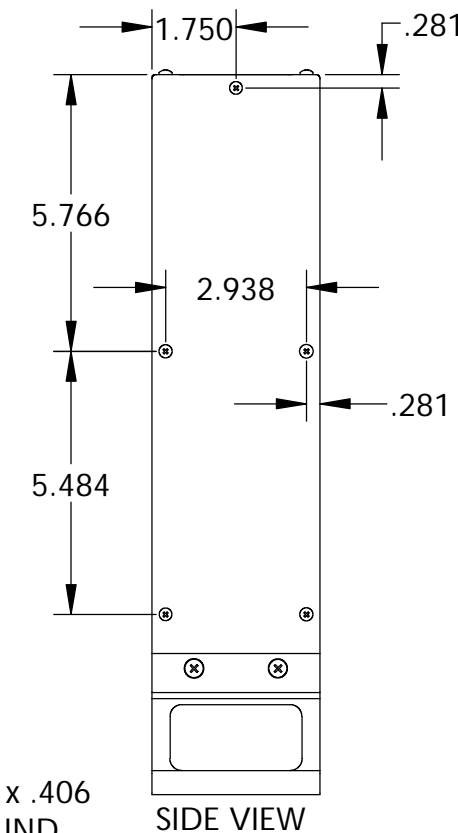
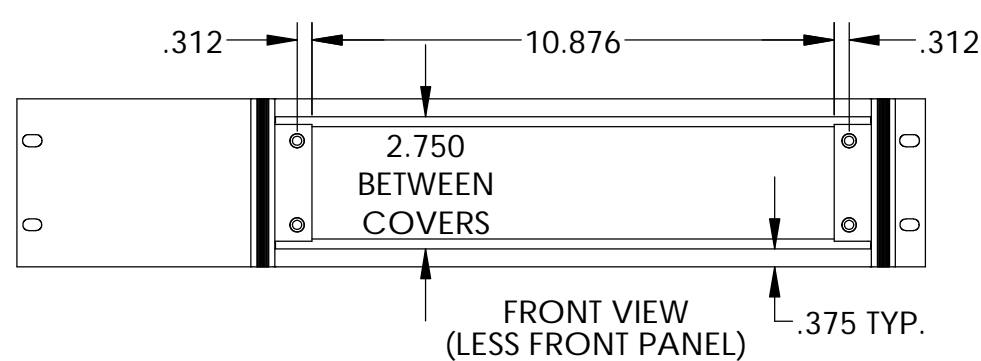
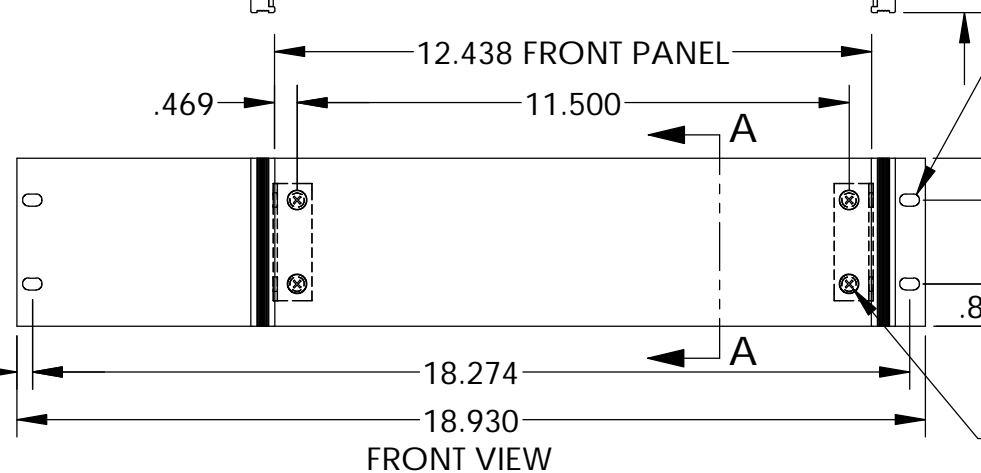
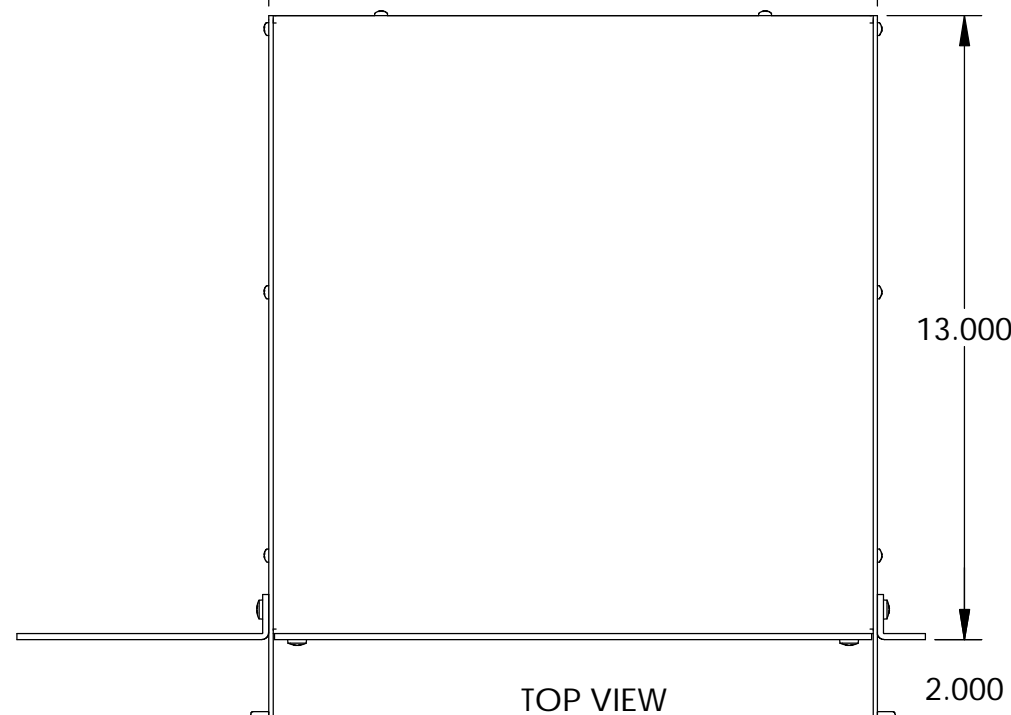
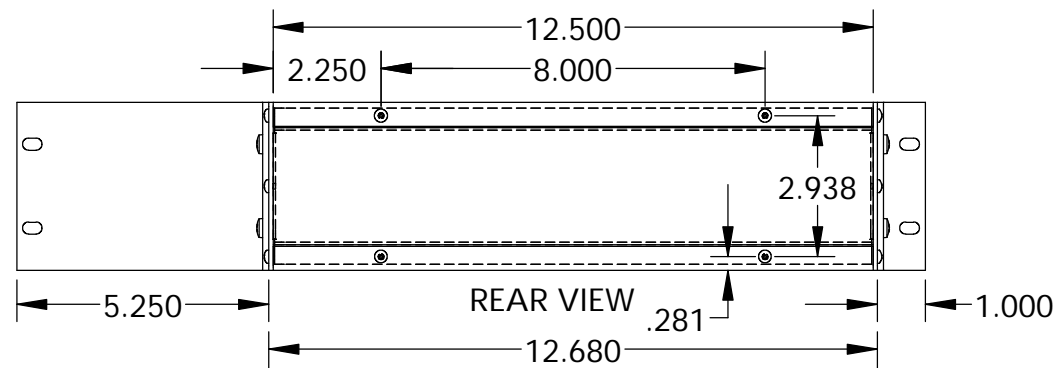
11-1-07

UNIT SHIPPED UNASSEMBLED.

OUTER BRACKETS FOR MOUNTING IN STANDARD 19" WIDE CABINETS.

OPTIONAL SELF-ADHESIVE RUBBER FEET (SUPPLIED)

LOAD RATING: 25 LBS. MAX.



Ø .250 x .406
OBROUND
(4) PLACES

Ø .250 HOLE
IN FRONT PANEL
(4) PLACES

MATERIAL:

- BACK & COVERS _____ 0.050 THICK ALUMINUM
- SIDES & INNER BRACKETS _____ 0.090 THICK ALUMINUM
- FRONT PANEL _____ 0.125 THICK ALUMINUM
- OUTER BRACKETS _____ 11 GA. C.R.S.
- HANDLE EXTRUSIONS _____ ALUMINUM

FINISH:

- BACK & COVERS _____ PREPAINTED SMOOTH WHITE
- SIDES & OUTER BRACKETS _____ WHITE TEXTURED
- FRONT PANEL _____ NATURAL (OUTSIDE SURFACE TAPED WITH PVC)
- INNER BRACKETS _____ NATURAL
- HANDLE EXTRUSIONS _____ CAUSTIC ETCH & CLEAR ANODIZED
- FEET _____ BLACK

Mouser Electronics

Authorized Distributor

Click to View Pricing, Inventory, Delivery & Lifecycle Information:

Bud Industries:

[HC-14101](#) [HC-14104](#) [HC-14100](#) [HC-14103](#) [HC-14102](#) [HC-14105](#)