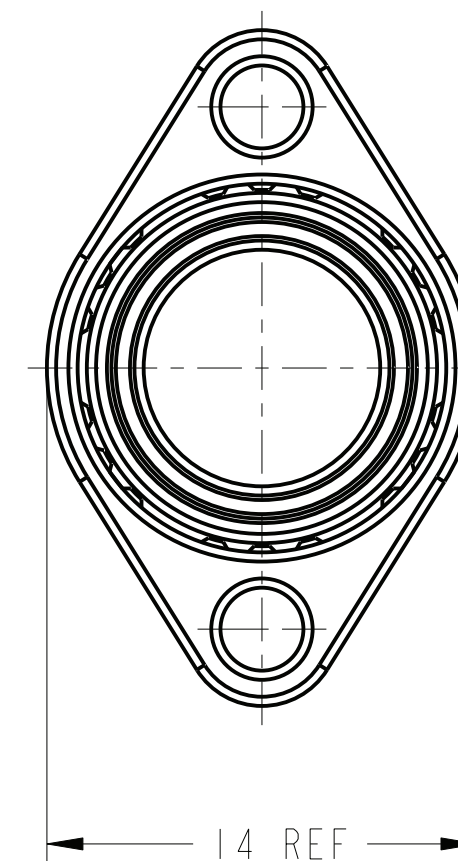
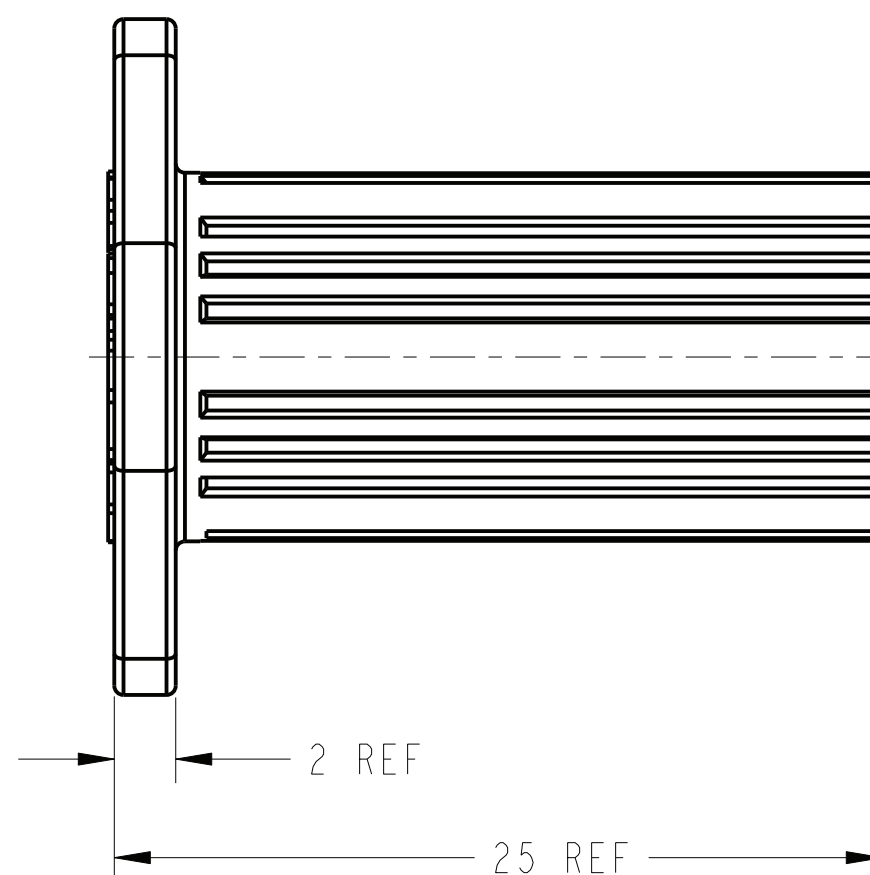
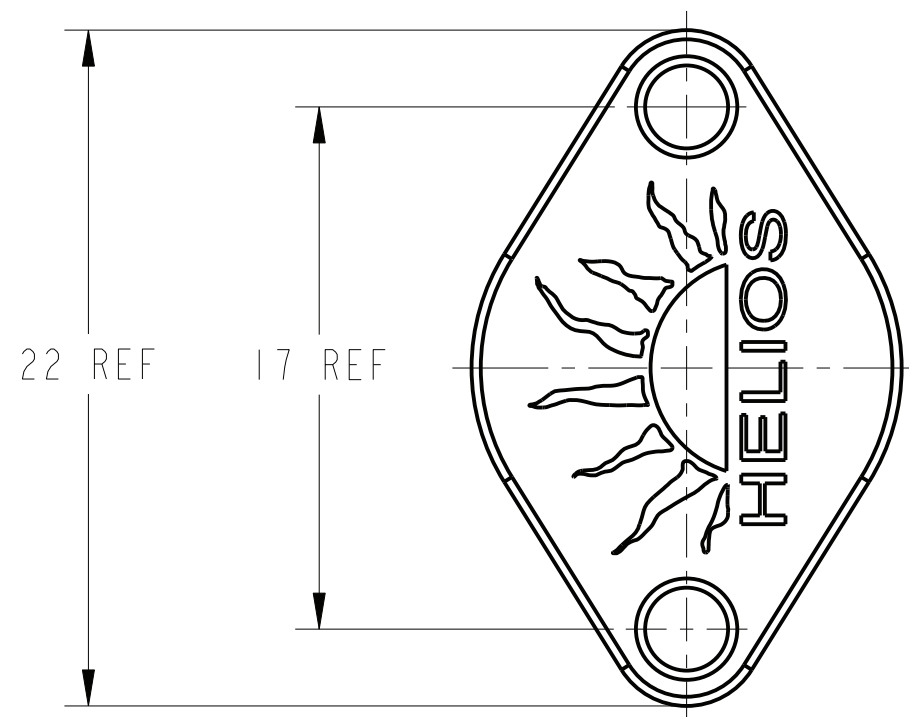
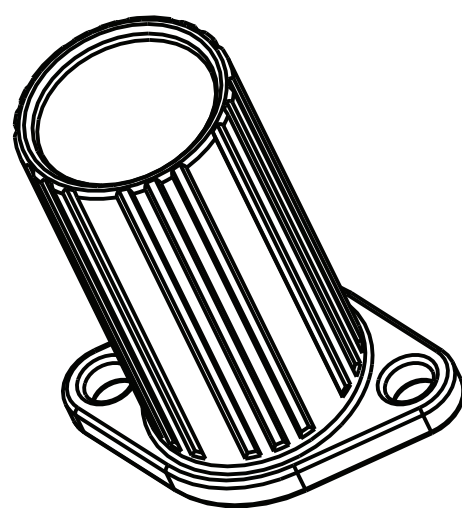


DOCUMENT NO. H4PF		SHEET 1 OF 1	
REVISIONS			
LTR	DESCRIPTION	DATE	
A	INITIAL RELEASE	2009-11-19	
B	REVISED DIMENSIONS	2010-11-29	

CUSTOMER DRAWING



2. H4PF IS CUSTOMER P/N FOR FEMALE SEALING CAP.
PV-080508-F08 IS MANUFACTURE P/N FOR THIS PART.

1. THE REFERENCED MATERIAL SHALL BE CERTIFIED COMPLIANT TO
THE 2002/95/EC ROHS DIRECTIVE AS AMENDED PER 2005/618/EC.

NOTES:

THIS DOCUMENT CONTAINS PROPRIETARY INFORMATION AND SUCH INFORMATION MAY NOT BE DISCLOSED TO OTHERS FOR ANY PURPOSE OR USED FOR MANUFACTURING PURPOSES WITHOUT WRITTEN PERMISSION FROM THE AMPHENOL CORP.

N/A
NEXT ASSEMBLY
METRIC DOCUMENT

PRO/ENGINEER INFORMATION
Pro/e Model Used:
PV-080508-F08.PART
Drawing Name:
PV-080508-F08-CUSTOMERDRAWING

UNLESS OTHERWISE SPECIFIED	SPECIFICATIONS	POS	QTY	PART NUMBER	DESCRIPTION	NOTE		
LINEAR DIMENSIONS ARE IN: MILLIMETERS TOLERANCES: ANGLES= ±2° DEFAULT LINEAR TOLERANCES SEE TABLE DIM. & TOL. PER ASME Y14.5M-1994; DRG PER MIL-DTL-31000; OTHER AMPHENOL STANDARDS: 9-9318 LEGENDS: △=FLAG NOTE CALL OUT REFERENCE ONLY	MATERIAL SPEC.	APPROVALS		DATE	PARTS LIST			
	N/A	PREPARED BY			AMPHENOL INDUSTRIAL OPERATIONS Block 5, Fuan 2nd Industrial Park, Dayang Road, Dayang Development Zone, Fuyong Town, Baoan, Shenzhen, PRC			
	PROCESS SPEC.	ENGINEER IN CHARGE		2010-11-29	SEALING CAP FOR PV-FEMALE			
	N/A	DESIGN MANAGER			DESIGN ACTIVITY GROUP	C&I		
		THIRD ANGLE PROJECTION			SIZE	CAGE CODE	DOCUMENT NO.	REV.
					C	77820	H4PF	B
		SCALE: 0.1			REF.	SHEET 1 OF 1		

Mouser Electronics

Authorized Distributor

Click to View Pricing, Inventory, Delivery & Lifecycle Information:

[Amphenol:](#)

[H4PF](#)