

**Standard Features**

- **Protection Level:** IP65
- **Technical:** Fits 5 Circuit Breaker Poles  
Knockout Sidewalls and Installed Double Membrane Seals  
Tinted Transparent Door
- **UL Recognized**
- **Enclosure Materials:** Polystyrene or Polycarbonate
- **Door Material:** Polycarbonate
- **Gasket Material:** Polyurethane
- **Material**
- **Temperature Range:** Polystyrene -25°C to 70°C (-13°F to 158°F)  
Polycarbonate -40°C to 120°C (-40°F to 248°F)
- **Color:** Light Gray
- **Included Accessories:** DIN Rail, 2x5 Pole Ground/Neutral Terminal Strip, Filler Strips, (4) M20 Double Membrane Seals



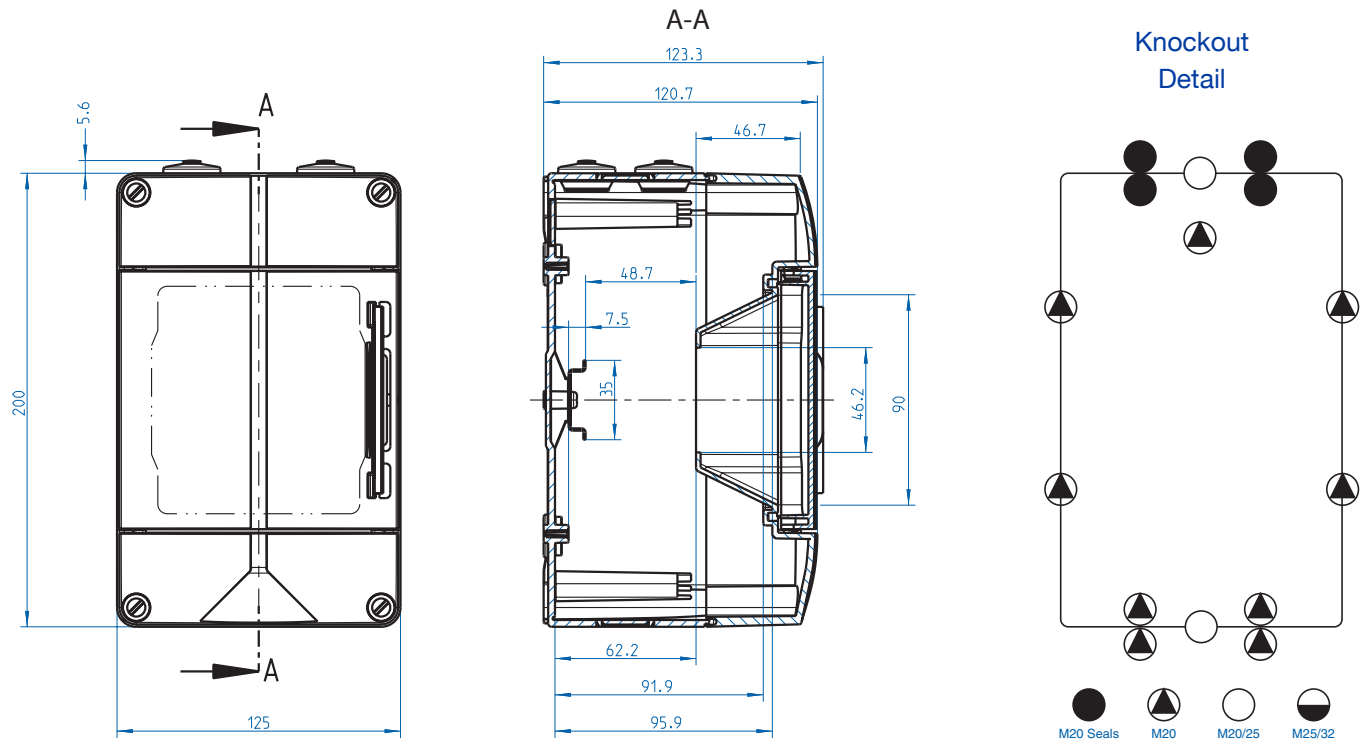
**AK05**

Ordering Information	Cat. No.	Type	Length	Dimensions mm (in) Width	Height	Std. Pk.
<b>Polystyrene</b>						
Enclosure	735-405	AK05	125 mm (4.92 in)	200 mm (7.87 in)	122 mm (4.80 in)	1
<b>Polycarbonate</b>						
Enclosure	736-405	AKI05	125 mm (4.92 in)	200 mm (7.87 in)	122 mm (4.80 in)	1

**Accessories**

Ordering Information	Cat. No.	Type	Std. Pk.
Key Lock	706-102	KL2	1
Terminal	790-205	PE/N Terminal - 5 pole	1
Filler Strip	799-012	108 mm piece (6 divisions)	1

Please refer to pages 136-140 for additional accessories and detailed information.



# Mouser Electronics

Authorized Distributor

Click to View Pricing, Inventory, Delivery & Lifecycle Information:

[Altech:](#)

[790-205](#)