

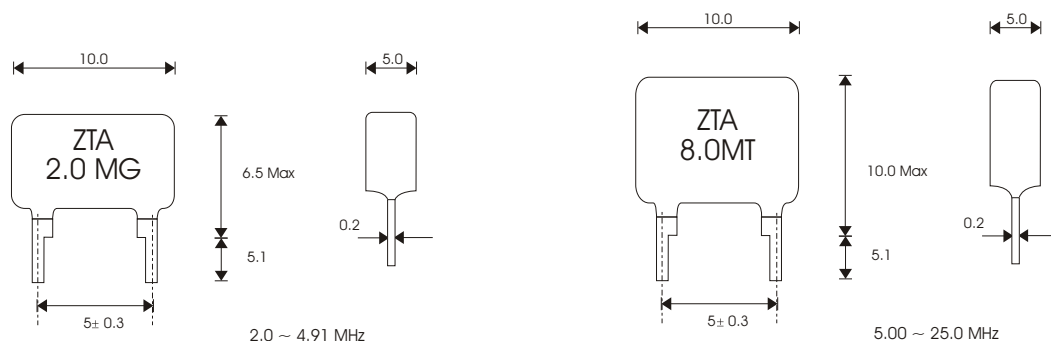
Specify AEL

ZTA Series

Without Built-In Capacitor



Ceramic Resonators



FEATURES

- Low Cost
- Ex-Stock Availability
- Industry Standard Dimensions
- Good Stability

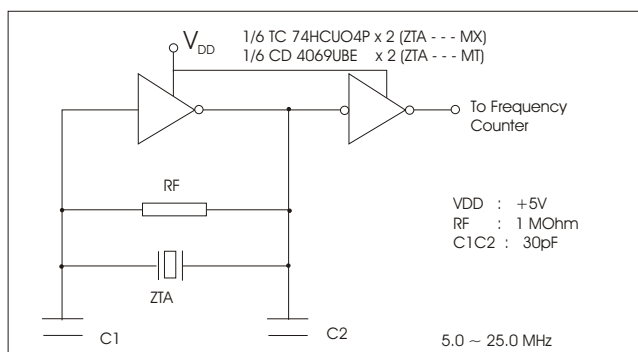
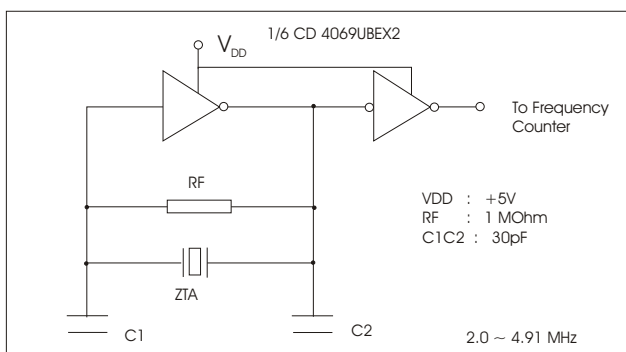
APPLICATIONS

- Microprocessor Systems
- Datacommunications
- Consumer Electronics
- Automotive Electronics

STANDARD SPECIFICATION

| Part Number | ZTA□ .□□ MG | ZTA□ .□□ MG | ZTA□ .□□ MG | ZTA□ .□□ MG | ZTA□ .□□ MT | ZTA□ .□□ MX |
|--------------------------------|-----------------------------------|-----------------------------------|-----------------------------------|-----------------------------------|-----------------------------------|-----------------------------------|
| Frequency Range | 2.00 ~ 2.99 | 3.00 ~ 3.49 | 3.50 ~ 4.99 | 5.00 ~ 6.99 | 7.00 ~ 13.00 | 13.01 ~ 25.00 |
| Frequency Accuracy At 25°C | +/-0.5 | +/-0.5 | +/-0.5 | +/-0.5 | +/-0.5 | +/-0.5 |
| Temp. Stability -20°C to +80°C | +/-0.3 | +/-0.3 | +/-0.3 | +/-0.3 | +/-0.3 | +/-0.3 |
| Ageing (Over 10 years) | +/-0.3 | +/-0.3 | +/-0.3 | +/-0.3 | +/-0.3 | +/-0.3 |
| ESR (Chms Max) | 80 | 50 | 30 | 30 | 25 | 55 |
| Max. Voltage | 100V DC | 100V DC | 100V DC | 100V DC | 100V DC | 100V DC |
| Insulation Resistance (Ohms) | 5×10^{-8} Ohms (+10V DC) | 5×10^{-8} Ohms (+10V DC) | 5×10^{-8} Ohms (+10V DC) | 5×10^{-8} Ohms (+10V DC) | 5×10^{-8} Ohms (+10V DC) | 5×10^{-8} Ohms (+10V DC) |

TEST CIRCUITS



www.aelcrystals.co.uk

quartz based frequency control components

Order Hotline +44 1293 524245

www.aelcrystals.co.uk
sales@aelcrystals.co.uk