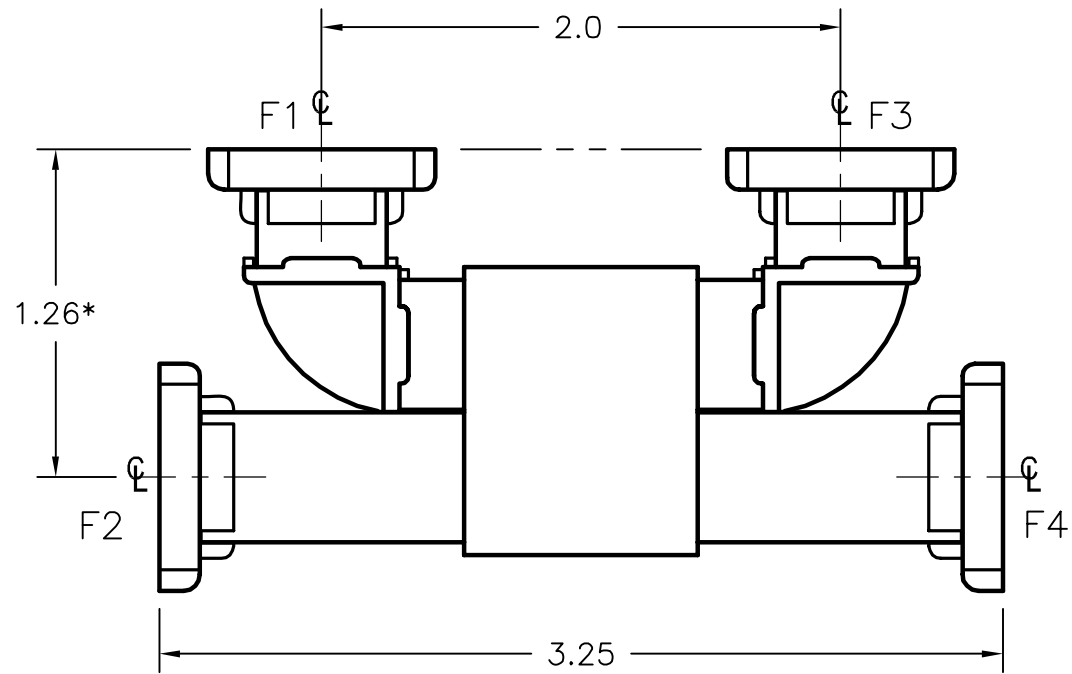


REV <b>A</b>	AUTH <b>JLE</b>	DATE <b>10/17/06</b>	INITIAL RELEASE
REV <b>B</b>	AUTH <b>JLE</b>	DATE <b>05/23/05</b>	NOTES UPDATED
REV <b>C</b>	AUTH <b>RL</b>	DATE <b>10/26/06</b>	FORMAT UPDATE; NOTES, TOLERANCES CORRECTED.



\*MAY VARY BY 0.050" FOR MODEL 42-263A/B-F1-F2-F3-F4 ONLY.

FREQ.	MODEL NUMBER
17.6-20.0 GHz	42-261A/B-Z-F1-F2-F3-F4
19.3-22.0 GHz	42-262A/B-Z-F1-F2-F3-F4
22.5-26.0 GHz	42-263A/B-Z-F1-F2-F3-F4

NOTE: REPLACE "F1, F2, F3, & F4" NOTATION WITH NUMBER CORRESPONDING TO FLANGE TYPE DESIRED, AS SHOWN ON TABLE BELOW.

FLANGE TYPE
6 = UG COVER
7 = UG CHOKE
8 = COVER GROOVE

THIRD ANGLE PROJECTION:		APPROVALS	DATE	<b>ADVANCED TECHNICAL MATERIALS, INC.</b> TEL: (631) 289-0363 FAX: (631) 289-0358 www.atmmicrowave.com	<small>THE INFORMATION IN THIS DRAWING IS PROPRIETARY AND SHALL NOT BE USED OR DISCLOSED WITHOUT THE PRIOR WRITTEN CONSENT OF ATM INC. DO NOT SCALE DWG.</small>		
UNLESS OTHERWISE NOTED, DIMENSIONS ARE IN INCHES, TOLERANCES ARE: FRACTIONS: $\pm 1/64$ ANGLES: $\pm 1/2^\circ$		DRAWN <b>JLE</b>	<b>10/16/02</b>				
BASIC DIMENSION	DECIMALS 2 PLACE 3 PLACE	CHKD.	APRVD.	<b>OUTLINE, WR42</b> <b>HYBRID COUPLER (COMBINER-DIVIDER)</b>			
UNDER 6"	$\pm .02$ $\pm .005$	MATERIAL <b>PER ORDER</b>					
6" - 12"	$\pm .03$ $\pm .010$	TREATMENT <b>-</b>					
OVER 12"	$\pm .06$ $\pm .015$	FINISH <b>ATM GREY</b>		SIZE <b>A</b>	CAGE CODE 0R8N4	ATM DWG # <b>5230W</b>	REVISION <b>C</b>
				SCALE <b>NONE</b>	MODEL # <b>42-26XX-Z-F1-F2-F3-F4</b>	SHEET <b>1/1</b>	