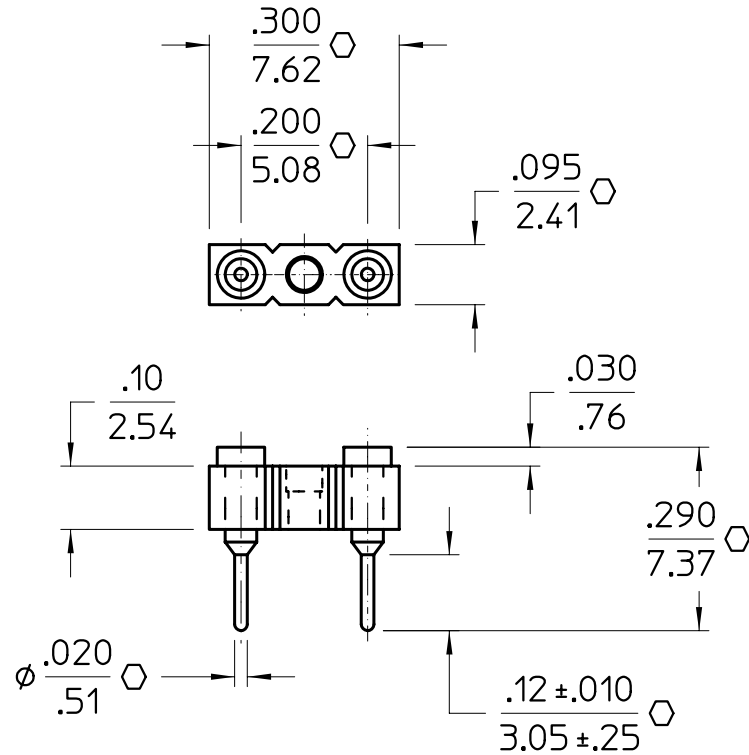


VICOR CONFIDENTIAL THIS DOCUMENT AND THE DATA DISCLOSED HEREIN OR HEREWITH IS NOT TO BE REPRODUCED, USED, OR DISCLOSED IN WHOLE OR IN PART TO ANYONE WITHOUT PERMISSION OF VICOR CORP.	REV.	DESCRIPTION	DATE	APVD
	02	DRN PER E990513	AK 11/19/99	RCM



NOTES:

- MATERIAL: PIN: BRASS ALLOY TYPE 360, PER QQ-B626, 1/2 HARD
CONTACT: BERYLLIUM COPPER
INSULATOR: THERMOPLASTIC POLYESTER(BLACK) RATED 94V0
- FINISH: SHELL: 100μINCH TIN PER MIL-T-10727, OVER
100μINCH NICKEL PER QQ-N-290.
CONTACT: 10μINCH GOLD PER MIL-C-45204 OVER 50μINCH
NICKEL PER QQ-N-290.
- *O* DENOTES CRITICAL CHARACTERISTIC FOR LOT INSPECTION.

DRAWN BY	DATE	THIRD ANGLE PROJECTION		SOCKET, FUSE, PCB, 5A, 125VAC
A. KUMAR	11/19/99			
UNLESS OTHERWISE SPECIFIED DIMENSIONS ARE IN IN/MM- TOLERANCES ARE:		SIZE	FSCM NO.	DWG NO
DECIMALS ANGLES .XX= *.01/.25 *1° .XXX=*.005/.13		A	67131	03144
		DO NOT SCALE DRAWING	SCALE 4:1	REV 02
		SHEET 1 OF 1		