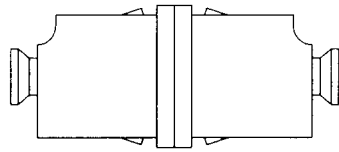


Tous droits strictement réservés. Reproduction ou communication à des tiers interdite sous quelque forme que ce soit sans autorisation écrite du propriétaire. Propriété de FCI. Droits de reproduction FCI.

All rights strictly reserved. Reproduction or issue to third parties in any form whatever is not permitted without written authority from the proprietor. Property of FCI. Copyright FCI.

FCI

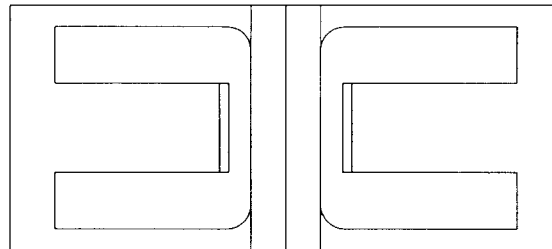
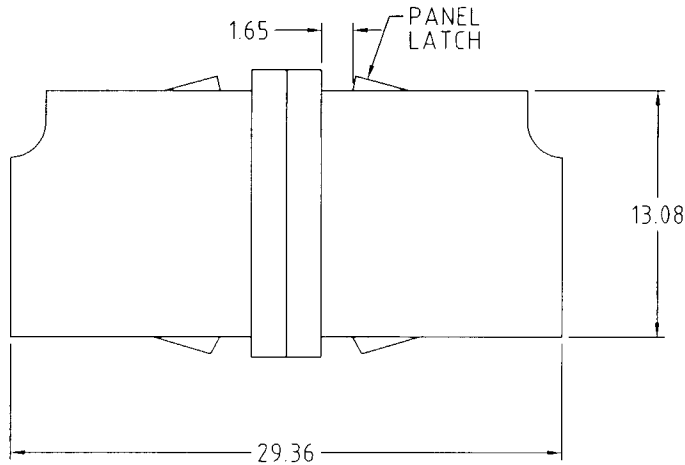
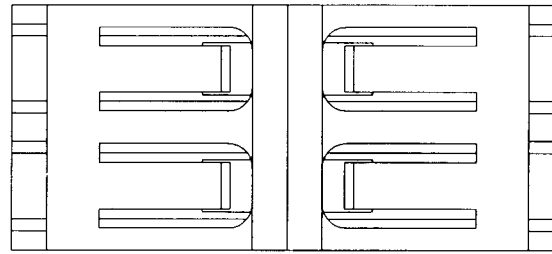
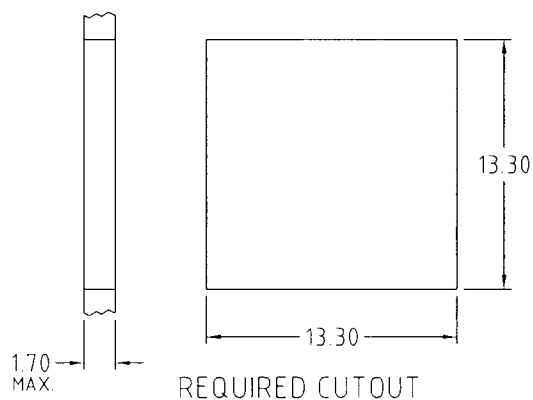
B



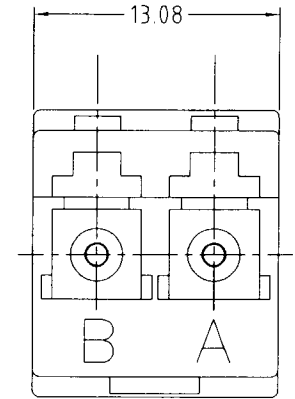
ADAPTER WITH PROTECTIVE CAPS

NOTES:

- 1. PROTECTIVE CAPS PROVIDED



PRODUCT NUMBER	TYPE	COLOR
98157-001	SM	BLUE
98157-002	MM	BEIGE



mat'l. code				tolerances unless otherwise specified			CUSTOMER COPY		Electronics FCI www.fciconnect.com		
ltr	ecn no	dr	date	linear	.X ±.3		projection 	title ADAPTER, DUPLEX, LC STANDARD PROFILE			
A	v91119	RSN	5/7/99		.XX ±.13						
B	v91131	RSN	5/20/99		.XXX ±.051						
C	v02682	JJK	11/21/00	angles	0° ±2'		mm scale 2:1	product family FIBER OPTICS		code 213	
				dr	R. NAUGLE	4/1/99		size A4		sheet 1 of 1	
				enrg	N. PETRILLO	4/1/99					
				chr	NPP	5/7/99					
				appd	N. PETRILLO	5/7/99					
sheet index	revision sheet	C	1								cage code 22526