

Passive UHF Transponder Ha-VIS VT 86 (HT)

Advantages

- Robust housing, resistant against chemicals
- EPC C1 Gen2 compatible
- Degree of protection IP 69K
- Extended memory
- Flexible mounting
- Integration into type label possible

Applications

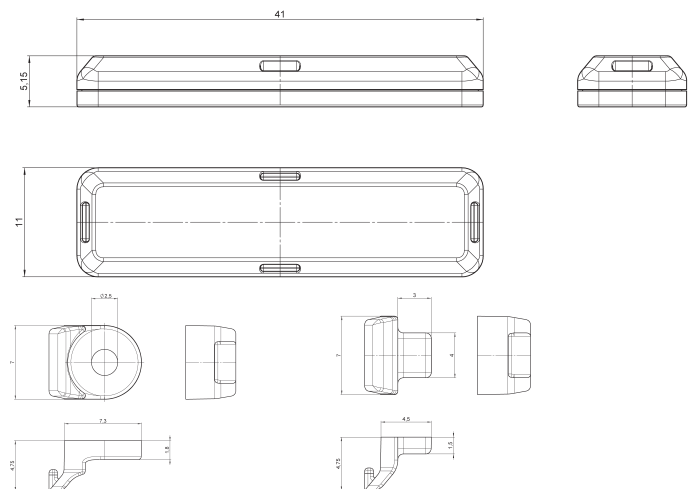
- Extremely robust and durable transponder for maintenance and life cycle applications in rough environments
- Functions on metal
- Read range (on metal plate, 2 W ERP, 868 MHz): ≥ 2.5 m

Identification	Part number	Drawing	Dimensions in mm
----------------	-------------	---------	------------------

Passive UHF Transponder
Ha-VIS RFID VT 86 (HT)
set with clip holder

Pack with 10 pieces
Pack with 50 pieces

20 92 641 0201
20 92 641 0202



Technical characteristics

Frequency range	860 MHz ... 960 MHz	
Protocol	EPC C1Gen2	
Chip	Alien Higgs 3	
Memory	512 Bit	
Temperature range	Operational range (read / write)	-50 °C ... +85 °C
	Storage	-65 °C ... +160 °C
	Thermal shock 0 °C to 210 °C	5000 cycles
	Max. duration at max. temperature 210 °C	5000 h
Housing	Size (W x D x H)	41 x 11 x 5 mm
	Degrees of protection	IP 64 / IP 67 / IP 69K
	Mounting	Screw, rivet, adhere
	Colour	Black

Mouser Electronics

Authorized Distributor

Click to View Pricing, Inventory, Delivery & Lifecycle Information:

[HARTING:](#)

[20926410202](#)