



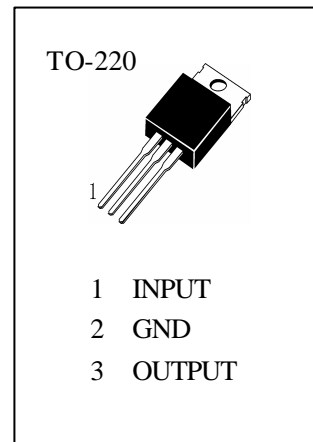
# H 7806A

## Description

The H7806A series of three terminal positive Regulators are available in the TO-220 package and with several fixed output voltages, making them useful in a wide range of applications. Each type employs internal current limiting, Thermal shut down and safe operating area protection, making it essentially indestructible. If adequate heat sinking is provided, they can deliver over 1A output current. Although designed primarily as fixed voltage regulator, these devices can be used with external components to obtain adjustable voltages and currents.

## Features

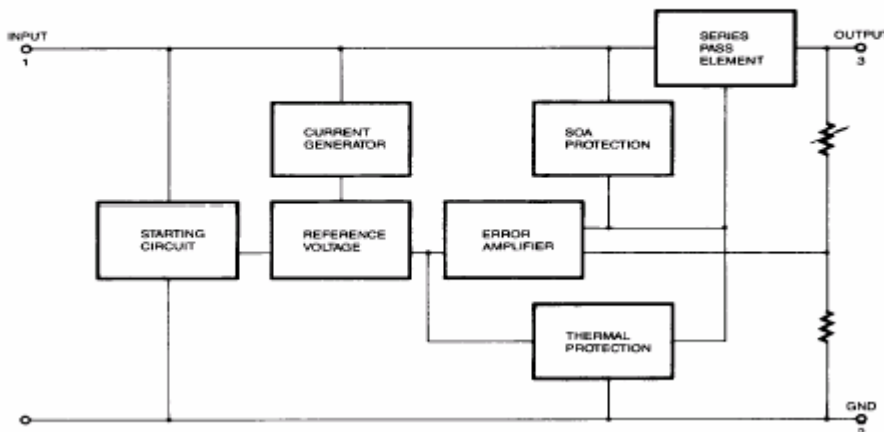
- Output current up to 1A
- Output Voltages of 6V
- Thermal Overload Protection
- Short Circuit Protection
- Output Transistor Safe Operating Area Protection



## Absolute Maximum Ratings ( $T_a=25^\circ\text{C}$ )

$V_I$	—Input Voltage (for $V_O=5\text{V}$ to $18\text{V}$ ).....	35V
$R_{JC}$	—Thermal Resistance Junction-Cases.....	5 $^\circ\text{C}/\text{W}$
$R_{JA}$	—Thermal Resistance Junction-Air.....	65 $^\circ\text{C}/\text{W}$
$T_{OPR}$	—Operating Temperature Range.....	0~125
$T_{STG}$	—Storage Temperature Range.....	-65~150

## Internal Block Diagram



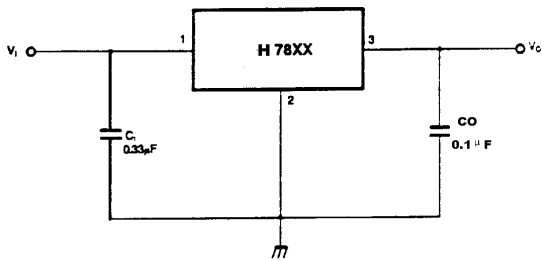


( Refer to test circuit, unless otherwise specified , 0  $T_J$  125 ,  $I_o=500mA, V_i=11V, C_i=0.33 \mu F, C_o=0.1 \mu F$  )

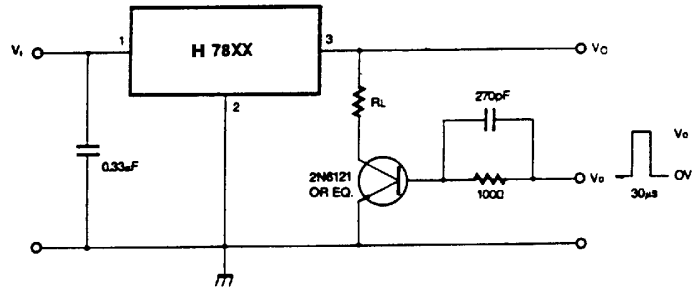
Symbol	Parameter	Min.	Typ.	Max.	Unit	Conditions
$V_o$	Output Voltage	5.75	6.0	6.25	V	$T_J=25$
		5.7	6.0	6.3		$5.0mA \leq I_o \leq 1.0A, P_D \leq 15W,$ $8.0V \leq V_i \leq 21V$
$V_o$	Line Regulation (Note1)		5.0	60	mV	$T_J=25$ , $8.3V \leq V_i \leq 21V$
			1.5	30		$T_J=25$ , $9V \leq V_i \leq 13V$
$V_o$	Load Regulation (Note1)		9	120	mV	$T_J=25$ , $5.0mA \leq I_o \leq 1.5A$
			3	50		$T_J=25$ , $250mA \leq I_o \leq 750mA$
$I_o$	Quiescent Current		5.0	8	mA	$T_J=25$
$I_o$	Quiescent Current Change			0.5	mA	$5mA \leq I_o \leq 1.0A$
				0.8		$9V \leq V_i \leq 25V$
$V_o/ T$	Output Voltage Drift		-0.8		mV/	$I_o=5mA$
$V_N$	Output Noise Voltage		45		$\mu V$	$T_A=25$ , $10Hz \leq f \leq 100kHz$
RR	Ripple Rejection	59	75		dB	$f=120Hz, 9V \leq V_i \leq 19V$
$V_D$	Dropout Voltage		2		V	$I_o=1A, T_J=25$
$R_o$	Output Resistance		19		m	$f=1kHz$
$I_{SC}$	Short Circuit Current		250		mA	$V_i=35V, T_A=25$
$I_{PK}$	Peak Current		2.2		A	$T_J=25$



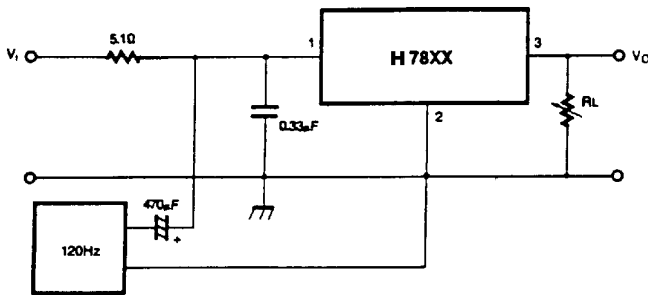
## Typical Applications



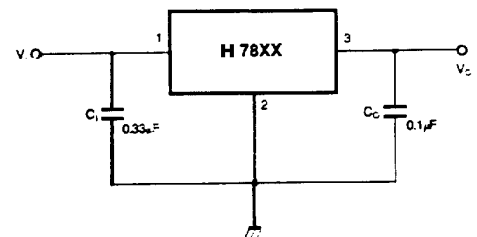
1、 DC Parameters



2、 Load Regulation



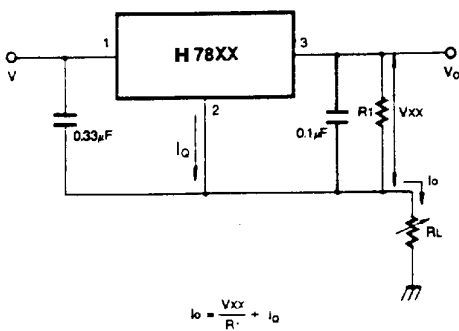
3、 Ripple Rejection



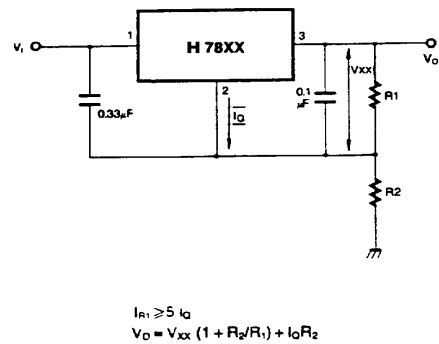
4、 Fixed Output Regulator

**Notes:**

- (1) To specify an output voltage, substitute voltage value for "XX." A common ground is required between the input and the Output voltage. The input voltage must remain typically 2.0V above the output voltage even during the low point on the input ripple voltage.
- (2) C<sub>1</sub> is required if regulator is located an appreciable distance from power Supply filter.
- (3) C<sub>0</sub> improves stability and transient response.



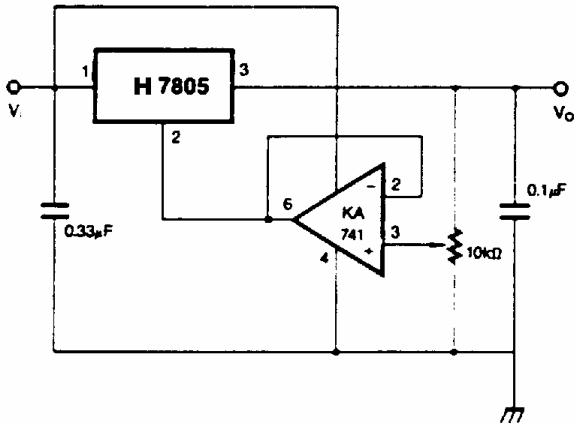
5、 Constant Current Regulator



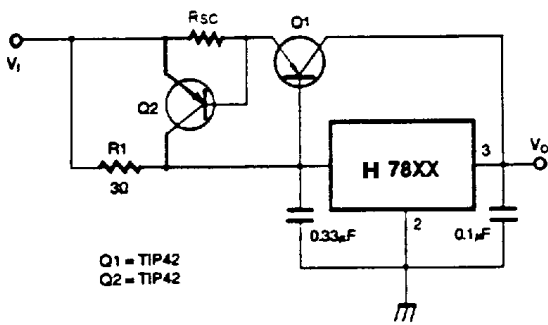
6、 Circuit for Increasing Output Voltage



# H 7806A



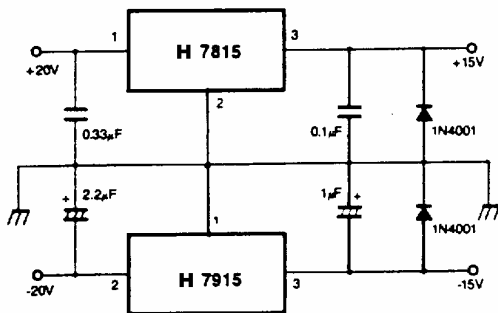
7、Adjustable Output Regulator (7 to 30V)



Q1 = TIP42  
Q2 = TIP42

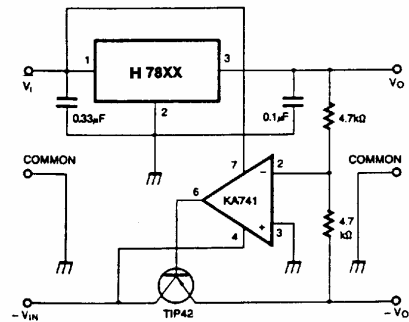
$$R_{sc} = \frac{V_{BEQ2}}{I_{sc}}$$

9、High Output Current with Short Circuit Protection

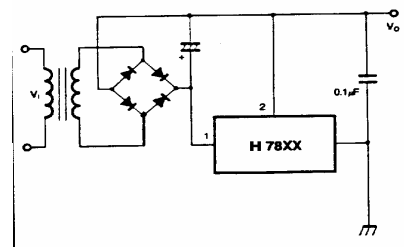


11、Split Power Supply (±15V-1A)

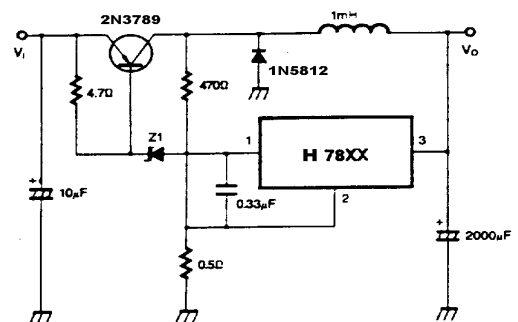
8、High Current Voltage Regulator



10、Tracking Voltage Regulator



12、Negative Output Voltage Circuit



13、Switching Regulator



## Typical Performance Characteristics

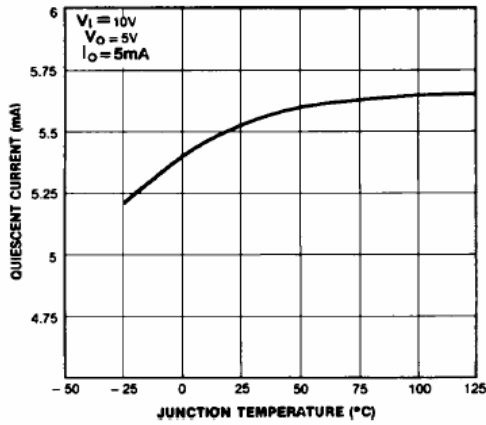


Figure 1. Quiescent Current

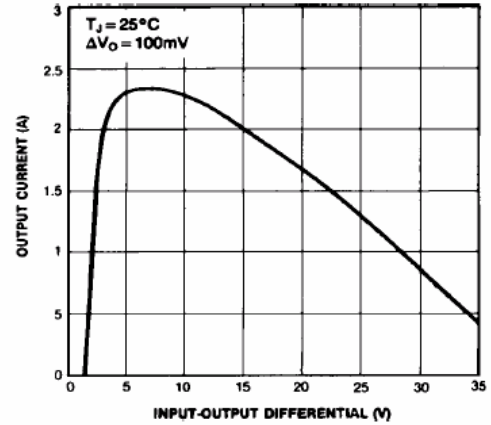


Figure 2. Peak Output Current

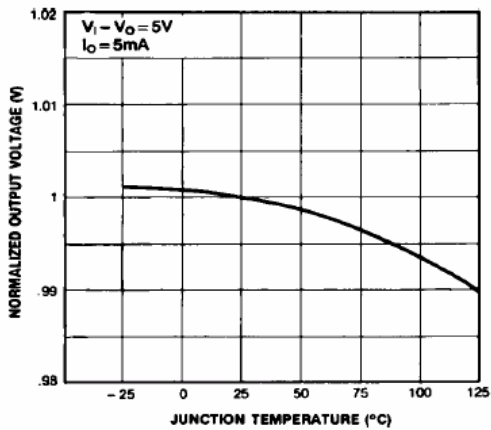


Figure 3. Output Voltage

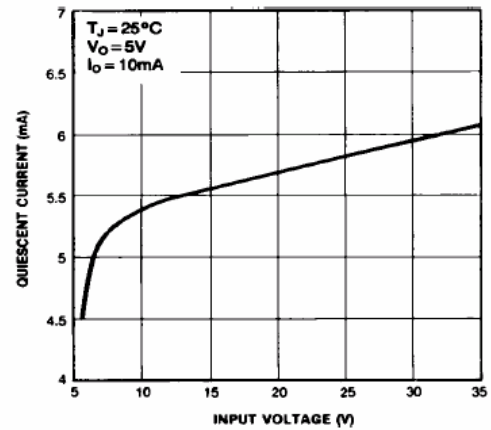


Figure 4. Quiescent Current