



晶采光電科技股份有限公司  
**AMPIRE CO., LTD.**

## **SPECIFICATIONS FOR LCD MODULE**

<b>CUSTOMER</b>	
<b>CUSTOMER PART NO.</b>	
<b>AMPIRE PART NO.</b>	<b>AG-320240A1 (Built-in Controller)</b>
<b>APPROVED BY</b>	
<b>DATE</b>	

**AMPIRE CO., LTD.**

**TOWER A, 4F, No.114, Sec. 1, HSIN-TAI 5th RD., HIS-CHIH,  
TAIPEI HSIEN, TAIWAN(R.O.C.)**

**台北縣汐止鎮新台五路一段114號4樓(東方科學園區A棟)**

**TEL:886-2-26967269, FAX:886-2-26967196 or 886-2-26967270**

<b>APPROVED BY</b>	<b>CHECKED BY</b>	<b>ORGANIZED BY</b>

## RECORD OF REVISION

Revision Date	Page	Contents
2001/4/21	-	New Release
2001/5/23	--	Modify LED Back-light Data
2001/6/22	--	Modify the Touch panel data and Drawing

# 1 FEATURES

- (1) Display format : 320 × 240 dot-matrix, 1/240 duty.
- (2) Construction : STN/FSTN LCD, Bezel, Heat Seal, Zebra and PCB.
- (3) Option : White LED back-light EL or CCFL back-light,EL driver, Touch Panel, Touch Panel driver (MK715), Data Reverse, temperature compensation circuit.
- (4) Controller : SED1335F0B
- (5) Power : +5V for logic circuit, -20V is needed for LCD driving ( Optional DC/DC converter ).
- (6) Normal / Extended temperature type.

# 2 NUMBERING SYSTEM

**AG-320240A1**         -       
                          **1 2 3 4**    **5 6**

No	Code Value	Description	Remark
1	G	STN gray type LCD	LCD Type
	Y	STN yellow green type LCD	
	S	STN negative type LCD	
	F	FSTN type LCD	
2	A	Reflective type / 6:00 view	Polarizer / Viewing Angel
	B	Reflective type / 12:00 view	
	I	Transflective type / 6:00 view	
	J	Transflective type / 12:00 view	
	T	Negative type / 6:00 view	
	U	Negative type / 12:00 view	
3	None	Without backlight	Backlight type
	Q	Edge LED backlight	
	C	CCFL	
	E	EL	
4	None	Without backlight	Backlight color
	B	Blue	
	W	White	
5	XX	Without Touch Panel	Touch Panel , Controller and other option (Please check Ampire sales)
	TX	With Touch Panel	
6	None	Normal temperature type	LCM temperature type
	H	Extended temperature type	

### 3 MECHANICAL DATA

Parameter	Stand Value	Unit
Dot size	0.345(W) × 0.345(H)	mm
Dot pitch	0.36(W) × 0.36(H)	mm
Viewing area	122.0(W) × 92.0(H)	mm
Module size (None / EL back-light)	160.0(W) × 109.0(H) × 11.0 max (T)	mm
Module size (with CCFL/LED)	167.1(W) × 109.0(H) × 11.0 max (T)	mm
Module size (with Touch Panel)	167.1(W) × 109.0(H) × 12.5 max (T)	mm

### 4 ABSOLUTE MAXIMUM RATINGS

Parameter		Symbol	Min	Max	Unit
Logic Circuit Supply Voltage		VDD-VSS	-0.3	7.0	V
LCD Driving Voltage		VDD-VO	-0.3	26.0	V
Input Voltage		VI	-0.3	VDD+0.3	V
Normal temp. type	Operating Temp.	TOP	0	50	°C
	Storage Temp.	TSTG	-20	70	°C
Extended temp. type	Operating Temp.	TOP	-20	70	°C
	Storage Temp.	TSTG	-30	80	°C

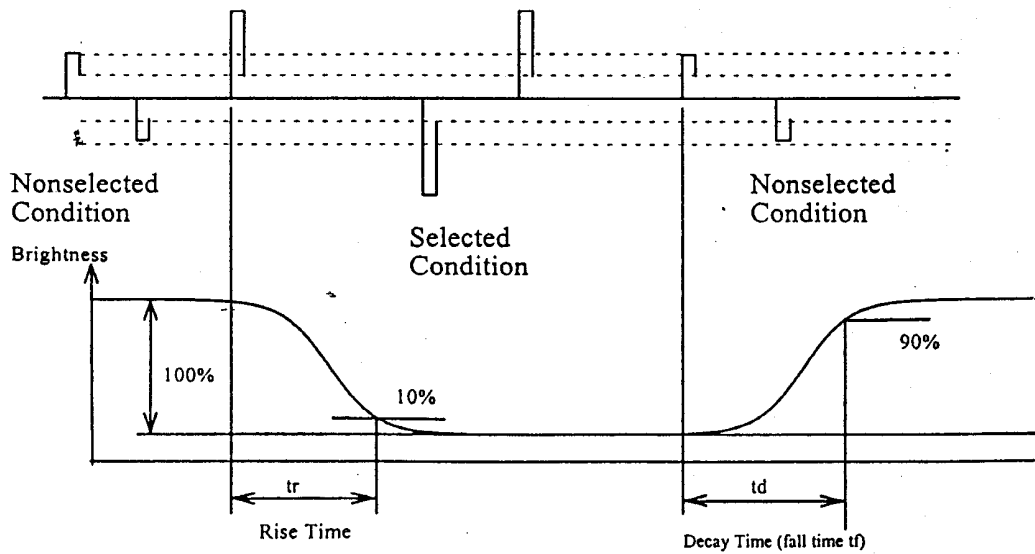
## 5 ELECTRO-OPTICAL CHARACTERISTICS

Parameter	Symbol	Condition	Min	Typ	Max	Unit	Note
----- Electronic Characteristics -----							
Logic Circuit Supply Voltage	VDD-VSS	--	3.3	--	5.5	V	
LCD Driving Voltage	VDD-VO	-20 °C	-	22.6	-	V	0 ~ 50 °C for Normal Temp. type  -20 ~ 70 °C for Extended Temp. type
		0 °C	-	21.8	-		
		25 °C	-	21.2	-		
		50 °C	-	20.0	-		
		70 °C	-	19.5	-		
Input Voltage	VIH	--	0.7 VDD	--	VDD	V	
	VIL	--	VSS	--	0.3 VDD	V	
Logic Supply Current	IDD	VDD = 5V	--	30	--	mA	
----- Optical Characteristics -----							
Contrast	CR	STN type	--	5	--		Note 1
		FSTN type	--	8	--		
Rise Time	tr	25°C	--	110	170	ms	Note 2
Fall Time	tf	25°C	--	110	170	ms	
Viewing Angle Range	$\theta f$	25°C & CR $\geq$ 2	--	40	--	Deg.	Note 3
	$\theta b$		--	35	--		
	$\theta l$		--	35	--		
	$\theta r$		--	35	--		
Frame Frequency	fF	25°C	--	64	--	Hz	

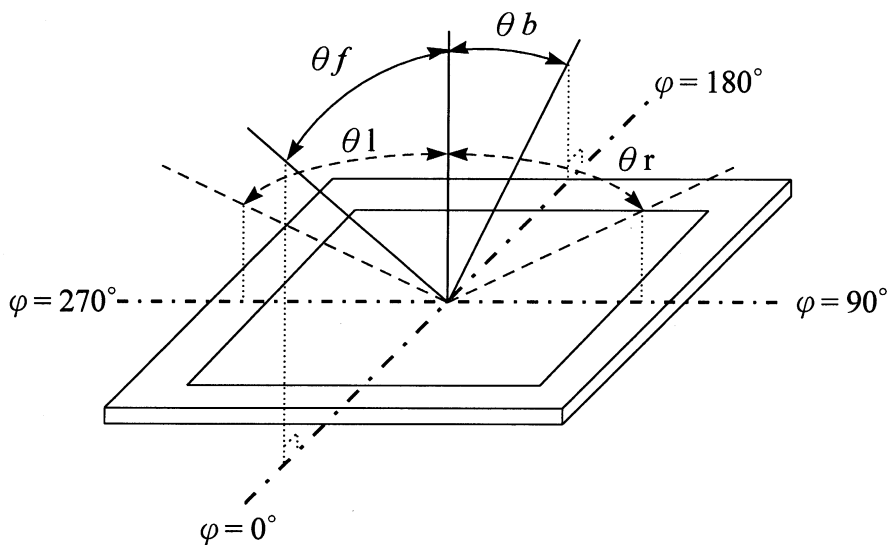
(NOTE 1) Contrast ratio :

$$CR = (\text{Brightness in OFF state}) / (\text{Brightness in ON state})$$

(NOTE 2) Response time :



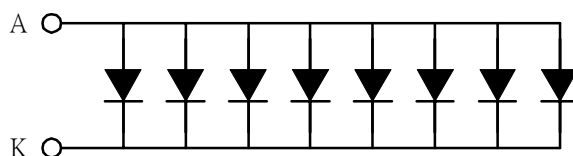
(NOTE 3) Viewing angle



## 5.1 LED Back-light Electrical Specification

----- White LED Back-light Characteristics -----							
Parameter	Symbol	Condition	Min	Typ	Max	Unit	Note
Forward Voltage	VF	--	--	3.5	3.8	V	Supply Voltage between A&K
Forward Current	IF	VF=3.2V	--	160	--	mA	
Bare LED Luminous intensity		VF=3.2V	--	90	--	cd/m <sup>2</sup>	
LCM Luminous intensity		VF=3.2V	--	20	--	cd/m <sup>2</sup>	

\* LED Dice number = 8



## 5.2 CCFL Back-light Electrical Specification

Parameter	Condition	Standard Value	Unit
Tube Voltage	Ta=25 °C	270	Vrms
Tube Current	Ta=25 °C	5	mArms
Bare CCFL brightness	--	500	Cd / m <sup>2</sup>
LCM brightness	--	150	Cd / m <sup>2</sup>
Half-Brightness Life*	--	10,000	hour

\*The life-time of the average brightness reach to 50% of initial brightness .

## 5.3 EL Back-light Electrical Specification

Parameter	Condition	Standard Value	Unit
Driving Voltage	--	110	Vrms
Frequency	--	400	Hz
Bare EL brightness	V=110 Vrms & Freq=400 Hz	50	cd / m <sup>2</sup>
LCM brightness	V=110 Vrms & Freq=400 Hz	13	cd / m <sup>2</sup>
Current Density	V=110 Vrms & Freq=400 Hz	0.124	mA / cm <sup>2</sup>

## 5.4 Touch Panel Electrical Specification

Parameter	Condition	Standard Value
Terminal Resistance	X Axis	400 ~ 900 Ω
	Y Axis	200 ~ 500 Ω
Insulating Resistance	DC 25 V	More than 10MΩ
Linearity	--	±1.5 %
Notes life by Pen	Note a	100,000 times(min)
Input life by finger	Note b	1,000,000 times (min)

### Note A .

Notes area for pen notes life test is 10 x 9 mm.

Size of word is 7.5 x 6.72

Shape of pen end : R0.8

Load : 250 g

### Note B

By Silicon rubber tapping at same point

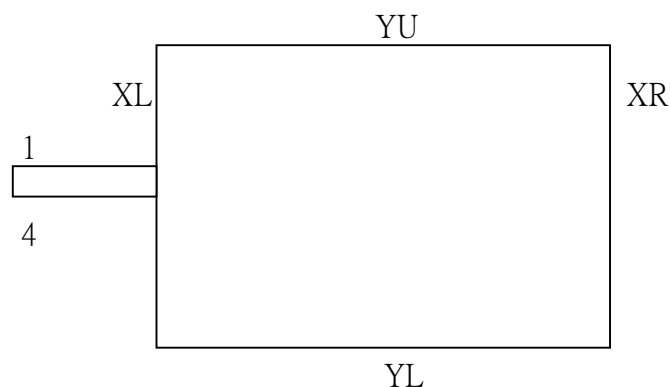
Shape of rubber end : R8

Load : 200g

Frequency : 5 Hz

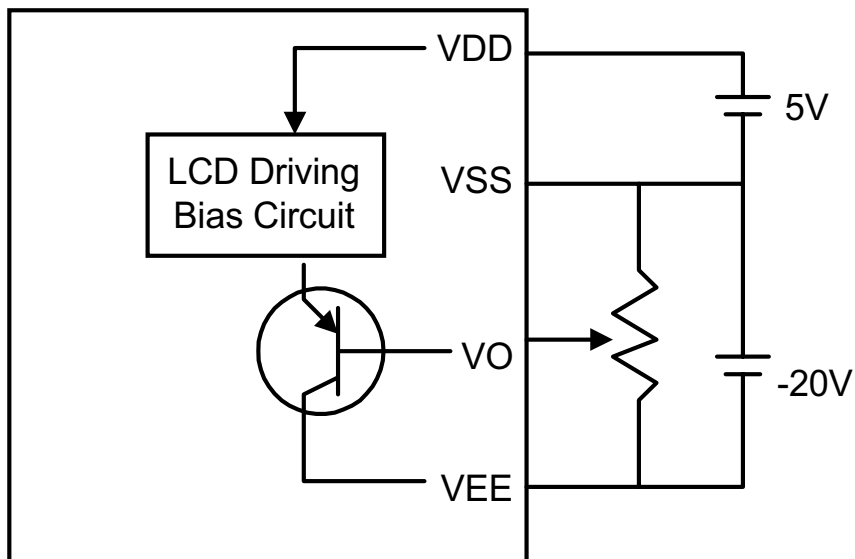
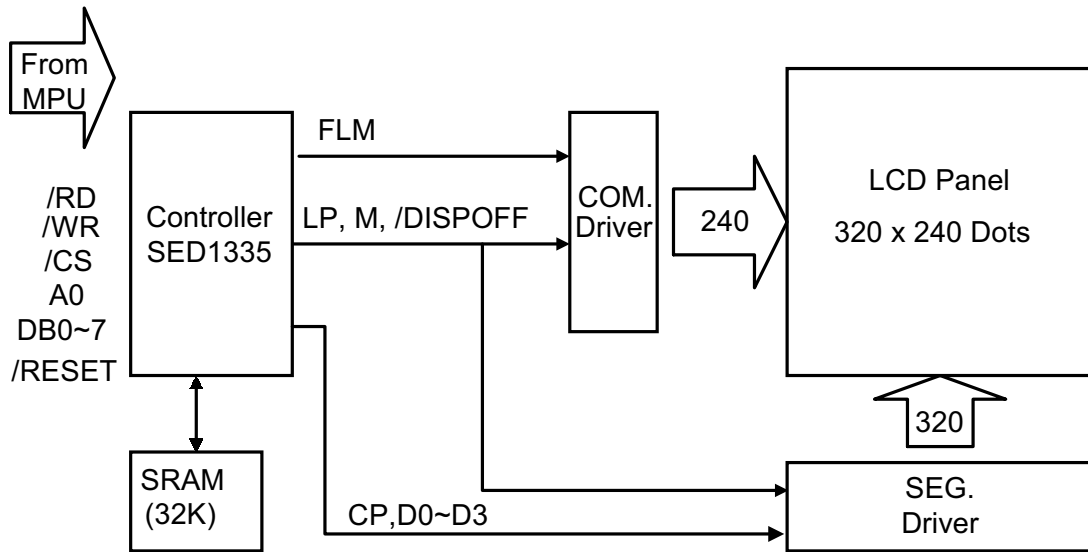
### Interface

No.	Symbol	Function
1	XR	Touch Panel Right Signal in X Axis
2	YU	Touch Panel Upper Signal in Y Axis
3	XL	Touch Panel Left Signal in X Axis
4	YL	Touch Panel Low Signal in Y Axis

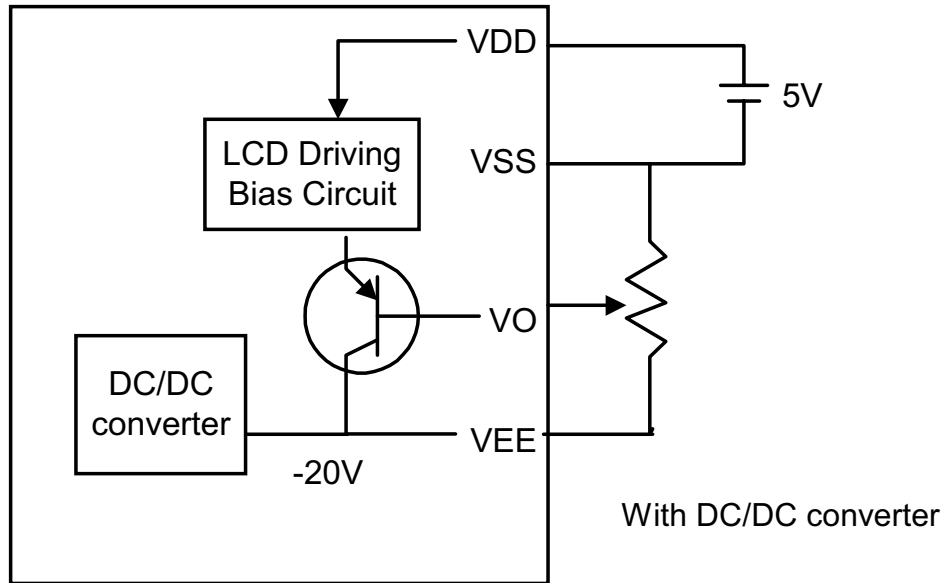




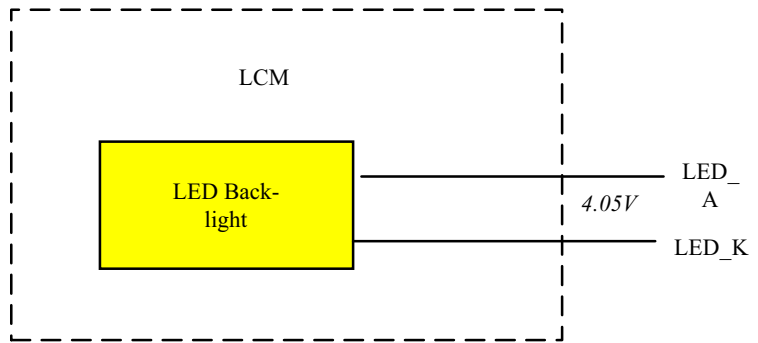
## 6 BLOCK DIAGRAM & POWER SUPPLY



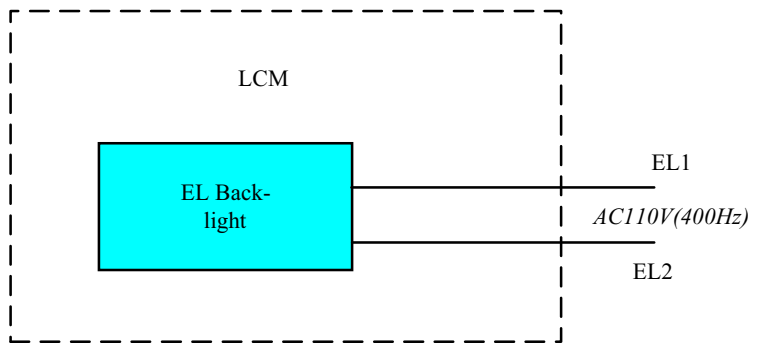
Without DC/DC converter, -20V is needed for LCD driving



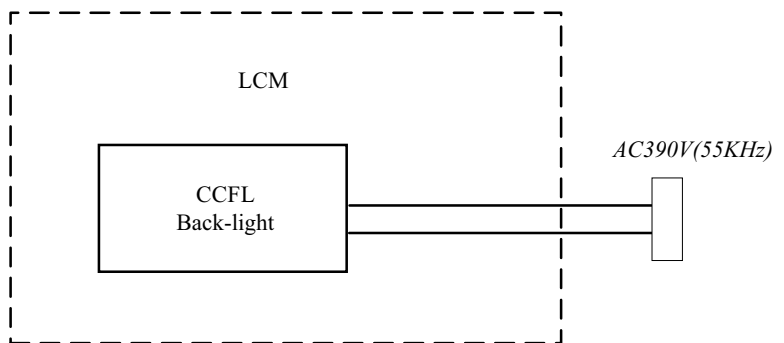
Using LED Back-light



Using EL Back-light



Using CCFL Back-light



## 7 PIN CONNECTIONS

CN2 : SED1335 Controller

PIN NO.	SIGNAL	LEVEL	FUNCTION	
1	/RESET	H/L	Reset Signal	
2	/RD	H/L	80 Series: Read Signal 68 Series: Enable Signal(E)	
3	/WR	H/L	80 Series: Write Signal 68 Series: R/W Signal	
4	/CS	H/L	Chip Select Signal	
5	A0	H/L	Data Type Selection	
6 ~ 13	DB0~DB7	H/L	Data Input(8 bits)	
14	VDD	-	Power Supply for Logic(+5.0V/3.3V)	
15	VSS	-	Power Supply(Ground : 0V)	
16	VEE	-	(1) Without DC/DC Negative voltage input (-20V) (2) With DC/DC Negative voltage output (-20V)	
17	VO	-	Contrast Adjustment Input	
18*	SK / X1	-	Serial Clock Touch Panel Left Signal in X Axis	
19*	DO / X2	-	Data Output Touch Panel Right Signal in X Axis	
20*	DI / Y1	-	Data In Touch Panel Upper Signal in Y Axis	
21*	CS / Y2	-	Chip Select Touch Panel Lower Signal in X Axis	
22*	INT	-	Interrupt	
23*	EL1 / VEL	--	EL power input while using external	Power supply for EL driver H: EL On ; L: EL Off
24*	EL2 / ELON	--	EL driver	

18~22 : SK, DO, DI, CS, INT for Touch Panel controller MK715 /

X1, X2, Y1, Y2 for Touch Panel (without MK715)

23~24 : VEL, ELON for EL driver (IMP528)

EL1, EL2 for EL power input (without EL driver)

## 8 TIMING CHARACTERISTICS

### 8.1 8080 Family Interface Timing

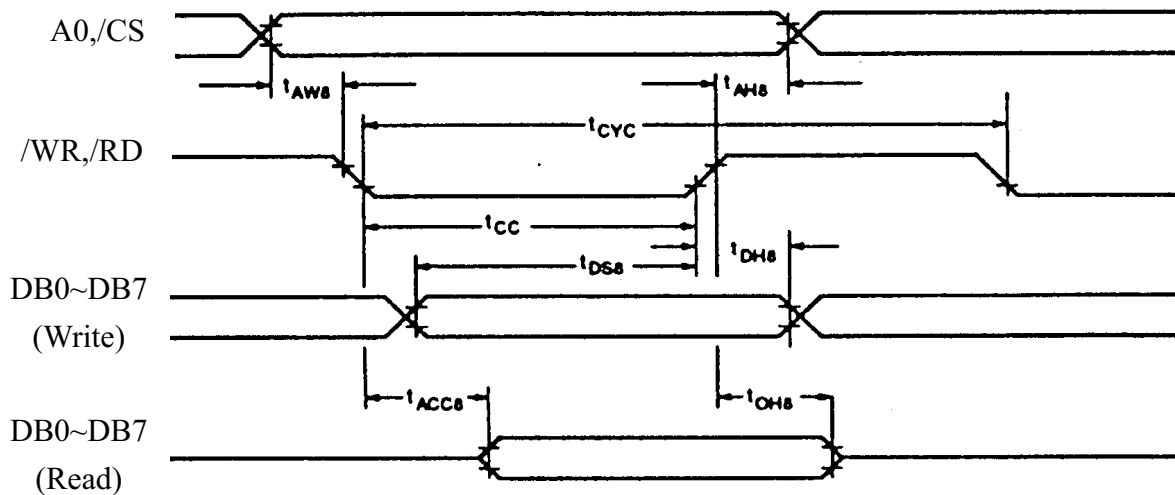
Parameter	Condition	Symbol	Min	Max	Unit	Remark
Address Hold Time	CL=100 pF VDD=2.7~4.5	tAH8	10		ns	A0,/CS
Address Setup Time		tAW8	0		ns	
System Cycle Time		tCYC	Note		ns	/WR,/RD
Strobe Pulse Width		tOC	150		ns	DB0~DB7
Data Setup Time		tDS8	120		ns	
Data Hold Time		tDH8	5		ns	
/RD Access Time		tACC8	-	80	ns	
Output Disable Time		tOH8	10	55	ns	

Note: For memory control and system control commands:

$$t_{CYC8} = 2t_C + t_{OC} + t_{CEA} + 75 > t_{ACV} + 245$$

For all other commands:

$$t_{CYC8} = 4t_C + t_{OC} + 30$$



## 8.2 6800 Family Interface Timing

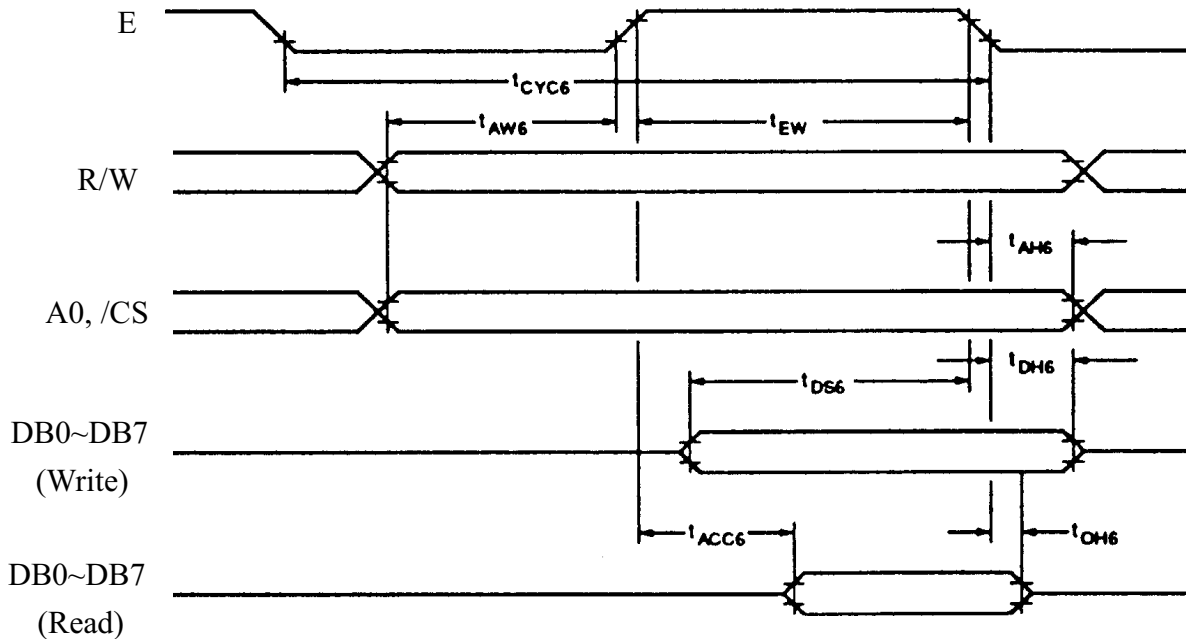
Parameter	Condition	Symbol	Min	Max	Unit	Remark
System Cycle Time	CL=100 pF VDD=2.7~4.5	tCYC6	Note		ns	A0,/CS, R/W
Address Setup Time		tAW6	10		ns	
Address Hold Time		tAH6	0		ns	
Data Setup Time		tDS6	120		ns	DB0~DB7
Data Hold Time		tDH6	0		ns	
Output Disable Time		tOH6	10	75	ns	
Access Time		tACC6	-	130	ns	
Enable Pulsewidth		tEW	150	-	ns	E

Note: For memory control and system control commands:

$$t_{CYC6} = 2t_C + t_{EW} + t_{CEA} + 75 > t_{ACV} + 245$$

For all other commands:

$$t_{CYC6} = 4t_C + t_{EW} + 30$$



AC Electrical Characteristics

## 9 INSTRUCTION SET

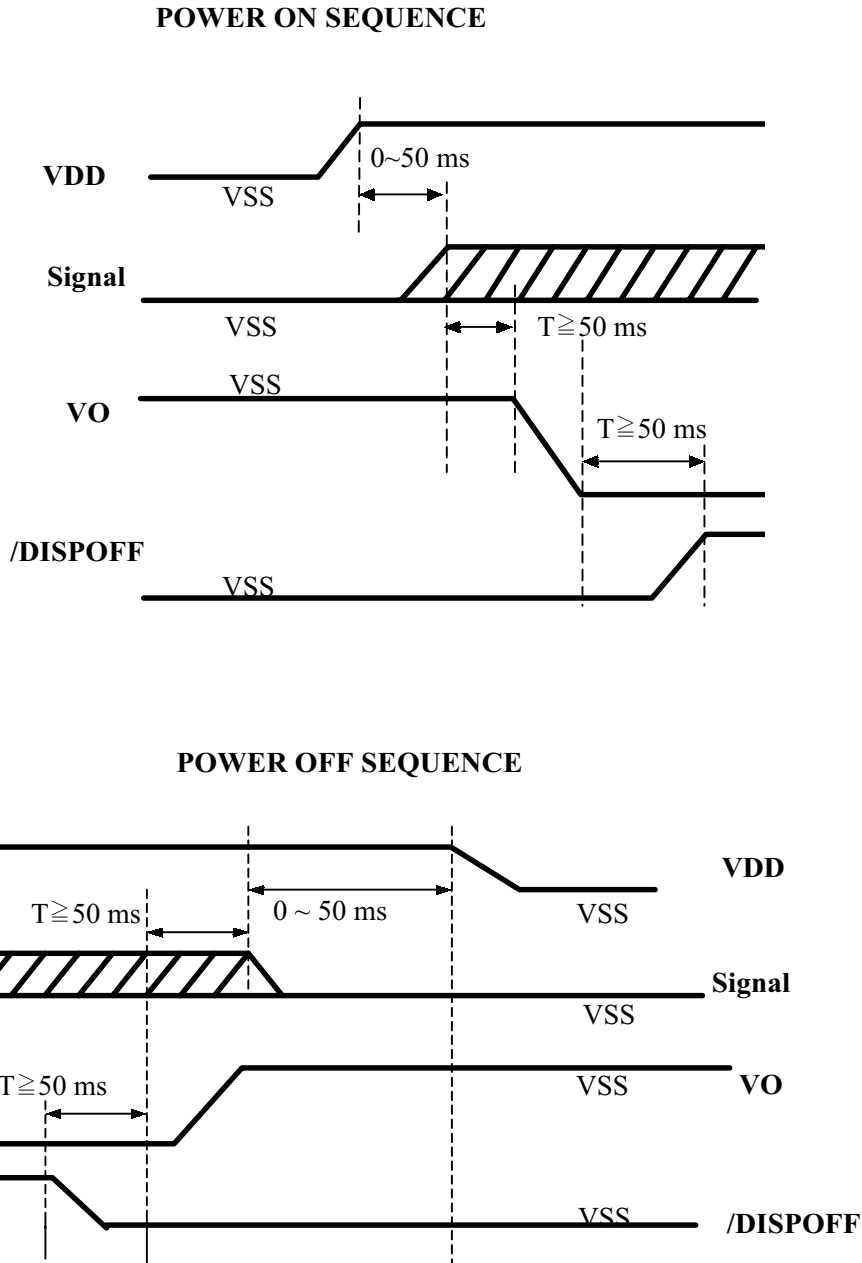
Class	Command	Code											Hex	Command Description	Command read parameters	
		/RD	/WR	A0	D7	D6	D5	D4	D3	D2	D1	D0			Number of bytes	Section
System Control	SYSTEM SET	1	0	1	0	1	0	0	0	0	0	0	40	Initialized Device and display	8	8.2.1
	SLEEP IN	1	0	1	0	1	0	1	0	0	1	1	53	Enter Standby mode	0	8.2.2
Display Control	DISP ON/OFF	1	0	1	0	1	0	1	1	0	0	D	58, 59	Enable and disable display and display flashing	1	8.3.1
	SCROLL	1	0	1	0	1	0	0	0	1	0	0	44	set Display start address and display regions	10	8.3.2
	CSRFORM	1	0	1	0	1	0	1	1	1	0	1	5D	Set cursor byte	2	8.3.3
	CGRAM ADDR.	1	0	1	0	1	0	1	1	1	0	0	5C	Set start address of character generator RAM	2	8.3.6
	CSRDIR	1	0	1	0	1	0	0	1	1	CD 1	CD 0	4C to 4F	Set direction of cursor movement	0	8.3.4
	HDOT SCR	1	0	1	0	1	0	1	1		1	0	5A	set horizontal scroll position	1	8.3.7
	OVLAY	1	0	1	0	1	0	1	1	0	1	1	5B	set display overlay format	1	8.3.5
Drawing Control	CSRW	1	0	1	0	1	0	0	0	1	1	0	46	set cursor address	2	8.4.1
	CSRR	1	0	1	0	1	0	0	0	1	1	1	47	read cursor address	2	8.4.2
Memory Control	MWRITE	1	0	1	0	1	0	0	0	0	1	0	42	write to display memory	-	8.5.1
	MREAD	1	0	1	0	1	0	0	0	0	1	1	43	read from display memory	-	8.5.2

Note:

- In general, the internal registers of the SED1335F are modified as each command parameter is input. However, the microprocessor does not have to set all the parameters of a command and may send a new command before all parameters have been input. The internal registers for the parameters that have been input will have been changed but the remaining parameter registers are unchanged.
  - 2 bytes parameters( where two bytes are treated as 1 data item) are handled as following:
    - CSRW, CSRR: Each byte is processed individually. The microprocessor may read or write just the low byte of the cursor address.
    - SYSTEM SET, SCROLL, CGRAM ADR. : Both parameter bytes are processed together. If the command is changed after half of the parameter has been input, the single byte is ignored.
- APL and APH are 2-byte parameters, but are treated as two 1-byte parameters.
- Please refer to SED1335F LCD Controller Data Book for detail.

## 9.1 Power ON/OFF Sequence

Please maintain the blow sequence when turning on and off the power supply of the module. If /DISPOFF is supplied to the module while internal alter signal for LCD driving (M) is unstable, DC component will be supplied to the LCD panel. This may cause damage the LCD module.



## 10 JUMPER SETTING

Item	Option	Jumper Setting	Remark
MPU	80 family (default)	Pin 1,2 short on JP6	
	68 family	Pin 2,3 short on JP6	
Data Reverse	Normal (default)	Pass1~4 shot on U16	Option Fuction
	Data reverse	with 74HC86 on U16	
Touch Panel	Without T/P controller	Pin1,2 short on ST1~4	Option Fuction
	With T/P controller	Pin 2,3 short on ST1~4	
EL	Without EL driver	Pin1,2 short on ST5~6	Option Fuction
	With EL driver	Pin 2,3 short on ST5~6	

## 11 QUALITY AND RELIABILITY

### 11.1 TEST CONDITIONS

Tests should be conducted under the following conditions :

Ambient temperature :  $25 \pm 5^{\circ}\text{C}$

Humidity :  $60 \pm 25\% \text{ RH.}$

### 11.2 SAMPLING PLAN

Sampling method shall be in accordance with MIL-STD-105E , level II, normal single sampling plan .

### 11.3 ACCEPTABLE QUALITY LEVEL

A major defect is defined as one that could cause failure to or materially reduce the usability of the unit for its intended purpose. A minor defect is one that does not materially reduce the usability of the unit for its intended purpose or is an infringement from established standards and has no significant bearing on its effective use or operation.

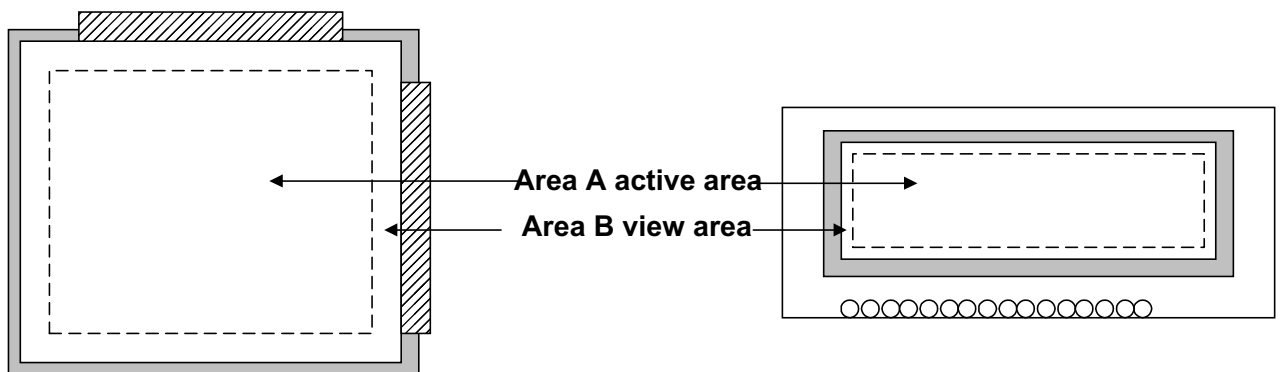
### 11.4 APPEARANCE

An appearance test should be conducted by human sight at approximately 30 cm distance from the LCD module under flourescent light. The inspection area of LCD panel shall be within the range of following limits.



## 11.5 INSPECTION QUALITY CRITERIA

Item	Description of defects			Class of Defects	Acceptable level (%)
Function	Short circuit or Pattern cut			Major	0.65
Dimension	Deviation from drawings			Major	1.5
Black spots	Ave . dia . D	area A	area B	Minor	2.5
	$D \leq 0.2$	Disregard			
	$0.2 < D \leq 0.3$	3	4		
	$0.3 < D \leq 0.4$	2	3		
	$0.4 < D$	0	1		
Black lines	Width W, Length L	A	B	Minor	2.5
	$W \leq 0.03$	disregard			
	$0.03 < W \leq 0.05$	3	4		
	$0.05 < W \leq 0.07, L \leq 3.0$	1	1		
	See line criteria				
Bubbles in polarizer	Average diameter D $0.2 < D < 0.5$ mm for N = 4 , D > 0.5 for N = 1			Minor	2.5
Color uniformity	Rainbow color or newton ring.			Minor	2.5
Glass Scratches	Obvious visible damage.			Minor	2.5
Contrast ratio	See note 1			Minor	2.5
Response time	See note 2			Minor	2.5
Viewing angle	See note 3			Minor	2.5



## 11.6 RELIABILITY

Test Item	Test Conditions		Note
	Normal Temp. type	Extended Temp. type	
High Temperature Operation	50±3°C , t=96 hrs	70±3°C , t=96 hrs	
Low Temperature Operation	0±3°C , t=96 hrs	-20±3°C , t=96 hrs	
High Temperature Storage	70±3°C , t=96 hrs	80±3°C , t=96 hrs	1,2
Low Temperature Storage	-20±3°C , t=96 hrs	-30±3°C , t=96 hrs	1,2
Temperature Cycle	-20°C ~ 25°C ~ 70°C 30 min. 5 min. 30 min. ( 1 cycle ) Total 5 cycle	-30°C ~ 25°C ~ 80°C 30 min. 5 min. 30 min. ( 1 cycle ) Total 5 cycle	1,2
Humidity Test	40 °C, Humidity 90%, 96 hrs		1,2
Vibration Test (Packing)	Sweep frequency : 10 ~ 55 ~ 10 Hz/1min Amplitude : 0.75mm Test direction : X.Y.Z/3 axis Duration : 30min/each axis		2

Note 1 : Condensation of water is not permitted on the module.

Note 2 : The module should be inspected after 1 hour storage in normal conditions  
(15-35°C , 45-65%RH).

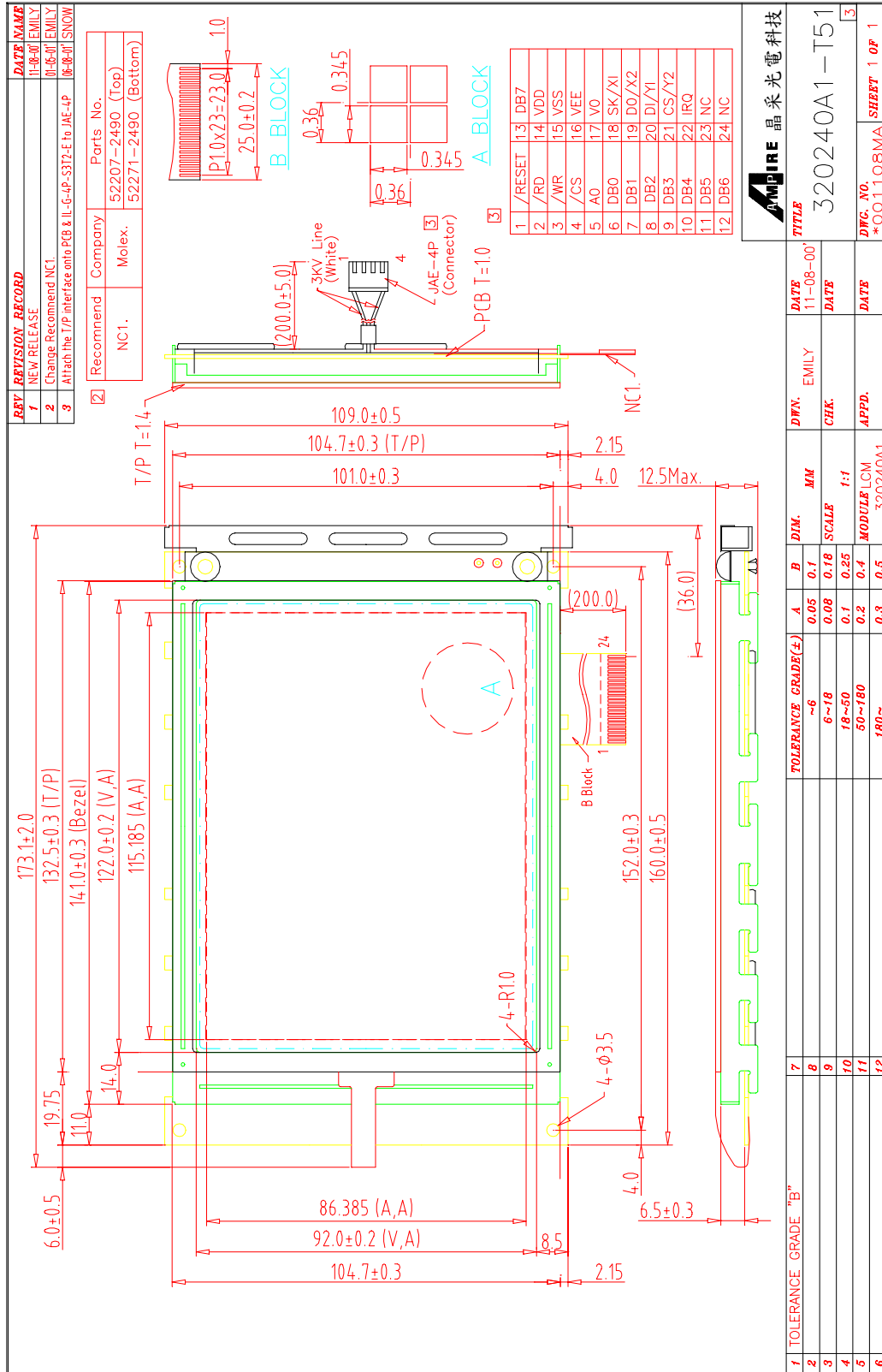
Definitions of life end point :

- Current drain should be smaller than the specific value.
- Function of the module should be maintained.
- Appearance and display quality should not have degraded noticeably.
- Contrast ratio should be greater than 50% of the initial value.

## **12 HANDLING PRECAUTIONS**

- (1) A LCD module is a fragile item and should not be subjected to strong mechanical shocks.
- (2) Avoid applying pressure to the module surface. This will distort the glass and cause a change in color.
- (3) Under no circumstances should the position of the bezel tabs or their shape be modified.
- (4) Do not modify the display PCB in either shape or positioning of components.
- (5) Do not modify or move location of the zebra or heat seal connectors.
- (6) The device should only be soldered to during interfacing. Modification to other areas of the board should not be carried out.
- (7) In the event of LCD breakage and resultant leakage of fluid do not inhale, ingest or make contact with the skin. If contact is made rinse immediately.
- (8) When cleaning the module use a soft damp cloth with a mild solvent, such as Isopropyl or Ethyl alcohol. The use of water, ketone or aromatic is not permitted.
- (9) Prior to initial power up input signals should not be applied.
- (10) Protect the module against static electricity and observe appropriate anti-static precautions.

# 13 OUTLINE DIMENSION



**AMPIRE** 晶采光電科技

TITLE: 320240A1-T51

DATE: 11-08-00

DATE: DATE

DATE: DATE

DRG. NO. \*001108MA SHEET 1 OF 1

f	TOLERANCE GRADE "B"	A	B	DIM.	MM	DWN.	EMILY	DATE
7	0.05	0.1				CHK		
8	0.08	0.18				APPD.		
9	0.1	0.25						
10	0.2	0.4						
11	0.3	0.5						
12	180~							