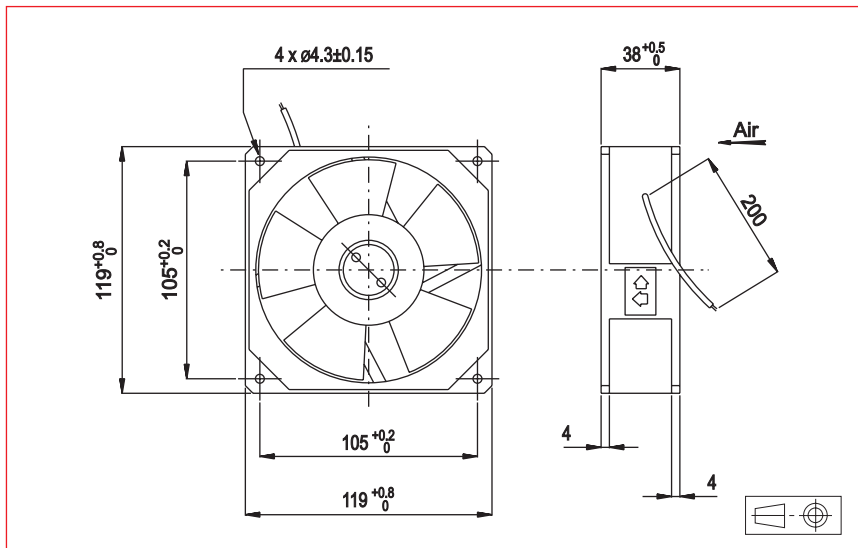


4,724" x 4,724" x 1,496" 120 x 120 x 38 mm

Series
125X

ETRI[®]

400 Hz Fans



Approvals

NATO codification

Life expectancy

L-10 LIFE AT 40°C:
35 000 hours

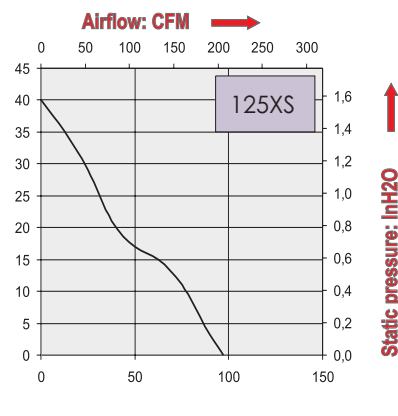
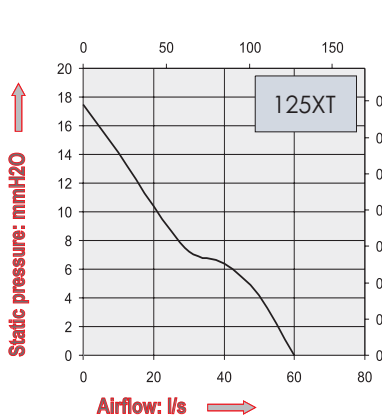
400 Hz Motor

Housing material: aluminium
Impeller material: plastic UL 94 VO
Weight: 530 kg
Bearing system: ball bearings

Connection: flying leads

Available with:

- Speed sensor
- Impedance protection



Part Number	Nominal voltage	Airflow	Noise level	Nominal speed	Phases	Capacitor (not included)	Input power	Nominal Current	Starting Current	Operating temperature	
	V	l/s	dB(A)	RPM		µF	W	mA	mA	Min.°C	Max.°C
125XT0162301	115	60	50	3600	3		15	140	220	-10	70
125XT0162101	115	60	50	3750	1	0,15	19	170	200	-10	70
125XT0160301	200	60	50	3600	3		15	75	115	-10	70
125XT0160101	200	60	50	3750	1	0,05	19	100	120	-10	70
125XS0162001	115	94	60	5700	3		32	415	1150	-10	70
	115	94	60	5700	1	1,47	35	365	870	-10	70
125XS0160001	200	94	60	5700	3		32	240	650	-10	70
	200	94	60	5700	1	0,47	35	210	500	-10	70

Additional versions:

Salt spray protected - Shock and vibration protected - Marine specifications
Wide temperature range

Accessories:

Refer to Accessories leaflet