

# PE4244

SPDT UltraCMOS® RF Switch  
10 – 3000 MHz

### Product Description

The PE4244 UltraCMOS® RF switch is designed to cover a broad range of applications from 10 to 3000 MHz. This switch integrates on-board CMOS control logic with a low voltage CMOS compatible control input. Using a +3-volt nominal power supply voltage, a 1 dB compression point of +27 dBm can be achieved. The PE4244 also exhibits excellent isolation of 39 dB at 1.0 GHz and is offered in a small 8-lead MSOP package.

The PE4244 UltraCMOS® RF switch is manufactured in Peregrine's patented Ultra Thin Silicon (UTSi®) CMOS process, offering the performance of GaAs with the economy and integration of conventional CMOS.

### Features

- Single +3.0-volt Power Supply
- Low Insertion loss: 0.60 dB up to 2.0 GHz
- High isolation of 39 dB at 1.0 GHz, 29 dB at 2.0 GHz
- Typical 1 dB compression of +27 dBm
- Single-pin CMOS logic control
- Packaged in 8-lead MSOP

Figure 1. Functional Diagram

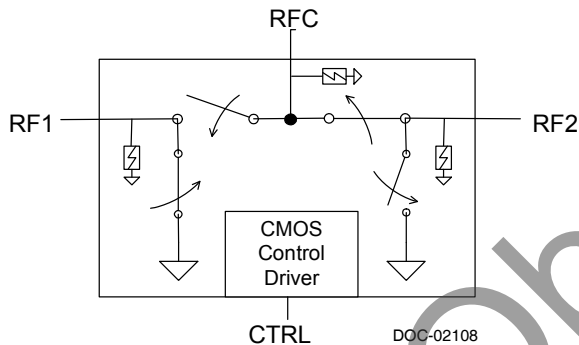


Figure 2. Package Type

8-lead MSOP

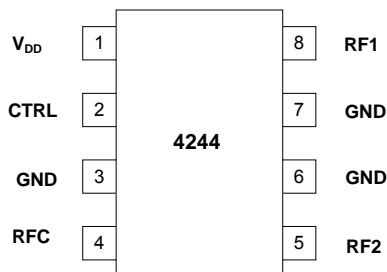


Table 1. Electrical Specifications @ +25°C, V<sub>DD</sub> = 3V (Z<sub>S</sub> = Z<sub>L</sub> = 50Ω)

| Parameter                        | Conditions                        | Minimum | Typical | Maximum | Units            |
|----------------------------------|-----------------------------------|---------|---------|---------|------------------|
| Operation Frequency <sup>1</sup> |                                   | 10      |         | 3000    | MHz              |
| Insertion Loss                   | 1000 MHz                          |         | 0.60    | 0.75    | dB               |
|                                  | 2000 MHz                          |         | 0.60    | 0.75    | dB               |
| Isolation – RFC to RF1/RF2       | 1000 MHz                          | 37      | 39      |         | dB               |
|                                  | 2000 MHz                          | 27      | 29      |         | dB               |
| Isolation – RF1 to RF2           | 1000 MHz                          | 34      | 36      |         | dB               |
|                                  | 2000 MHz                          | 26      | 28      |         | dB               |
| Return Loss                      | 1000 MHz                          | 19      | 20      |         | dB               |
|                                  | 2000 MHz                          | 22      | 25      |         | dB               |
| 'ON' Switching Time              | CTRL to 0.1 dB final value, 2 GHz |         | 200     |         | ns               |
| 'OFF' Switching Time             | CTRL to 25 dB isolation, 2 GHz    |         | 90      |         | ns               |
| Video Feedthrough <sup>2</sup>   |                                   |         | 15      |         | mV <sub>pp</sub> |
| Input 1 dB Compression           | 2000 MHz                          | 26      | 27      |         | dBm              |
| Input IP3                        | 2000 MHz, 14dBm                   | 43      | 45      |         | dBm              |

Notes: 1. Device linearity will begin to degrade below 10 MHz

2. The DC transient at the output of any port of the switch when the control voltage is switched from Low to High or High to Low in a 50Ω test set-up, measured with 1ns risetime pulses and 500 MHz bandwidth.

**Figure 3. Pin Configuration (Top View)**

**Table 2. Pin Descriptions**

| Pin No. | Pin Name        | Description  |
|---------|-----------------|--|
| 1       | V <sub>DD</sub> | Nominal 3V supply connection. A bypass capacitor (100 pF) to the ground plane should be placed as close as possible to the pin |
| 2       | CTRL            | CMOS logic level:<br>High = RFC to RF1 signal path<br>Low = RFC to RF2 signal path   |
| 3       | GND             | Ground connection. Traces should be physically short and connected to ground   |
| 4       | RFC             | Common RF port for switch (Note 1)   |
| 5       | RF2             | RF2 port (Note 1)  |
| 6       | GND             | Ground Connection. Traces should be physically short and connected to ground   |
| 7       | GND             | Ground Connection. Traces should be physically short and connected to ground   |
| 8       | RF1             | RF1 port (Note 1)  |

Note 1: All RF pins must be DC blocked with an external series capacitor or held at 0 V<sub>DC</sub>

### Moisture Sensitivity Level

The Moisture Sensitivity Level rating for the 5x5 mm QFN package is MSL1.

**Table 3. Absolute Maximum Ratings**

| Symbol           | Parameter/Conditions      | Min  | Max               | Units |
|------------------|---------------------------|------|-------------------|-------|
| V <sub>DD</sub>  | Power supply voltage      | -0.3 | 4.0               | V     |
| V <sub>I</sub>   | Voltage on any input      | -0.3 | V <sub>DD</sub> + | V     |
| T <sub>ST</sub>  | Storage temperature range | -65  | 150               | °C    |
| T <sub>OP</sub>  | Operating temperature     | -40  | 85                | °C    |
| P <sub>IN</sub>  | Input power (50Ω)         |      | 30                | dBm   |
| V <sub>ESD</sub> | ESD voltage (Human Body)  |      | 1500              | V     |

Absolute Maximum Ratings are those values listed in the above table. Exceeding these values may cause permanent device damage. Functional operation should be restricted to the limits in the DC Electrical Specifications table. Exposure to absolute maximum ratings for extended periods may affect device reliability.

**Table 4. DC Electrical Specifications**

| Parameter  | Min                 | Typ | Max                 | Units |
|--|---------------------|-----|---------------------|-------|
| V <sub>DD</sub> Power Supply Voltage   | 2.7                 | 3.0 | 3.3                 | V     |
| I <sub>DD</sub> Power Supply Current<br>V <sub>DD</sub> = 3V, V <sub>CTRL</sub> = 3V |                     | 250 | 500                 | nA    |
| Control Voltage High   | 0.7xV <sub>DD</sub> |     |                     | V     |
| Control Voltage Low  |                     |     | 0.3xV <sub>DD</sub> | V     |

### Electrostatic Discharge (ESD) Precautions

When handling this UltraCMOS<sup>®</sup> device, observe the same precautions that you would use with other ESD-sensitive devices. Although this device contains circuitry to protect it from damage due to ESD, precautions should be taken to avoid exceeding the specified rating.

### Latch-Up Avoidance

Unlike conventional CMOS devices, UltraCMOS<sup>®</sup> devices are immune to latch-up.

**Table 5. Control Logic Truth Table**

| Control Voltage  | Signal Path |
|------------------|-------------|
| CTRL = CMOS High | RFC to RF1  |
| CTRL = CMOS Low  | RFC to RF2  |

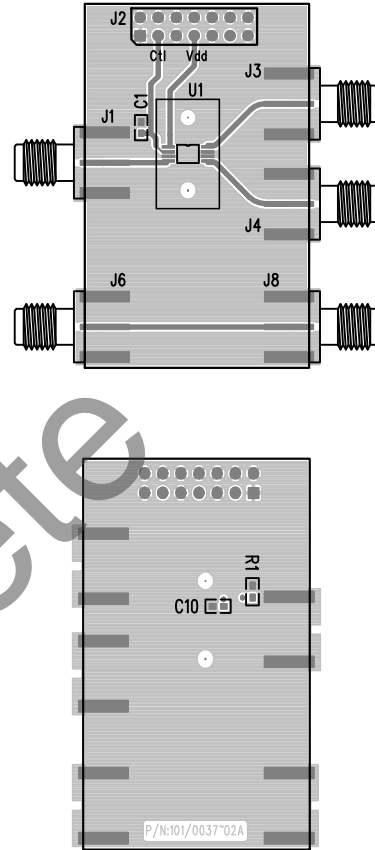
## Evaluation Kit

The SPDT Switch Evaluation Kit board was designed to ease customer evaluation of the PE4244 SPDT switch. The RF common port is connected through a 50Ω transmission line to the top left SMA connector, J1. Port 1 and Port 2 are connected through 50Ω transmission lines to the top two SMA connectors on the right side of the board, J3 and J4. A through transmission line connects SMA connectors J6 and J8. This transmission line can be used to estimate the loss of the PCB over the environmental conditions being evaluated.

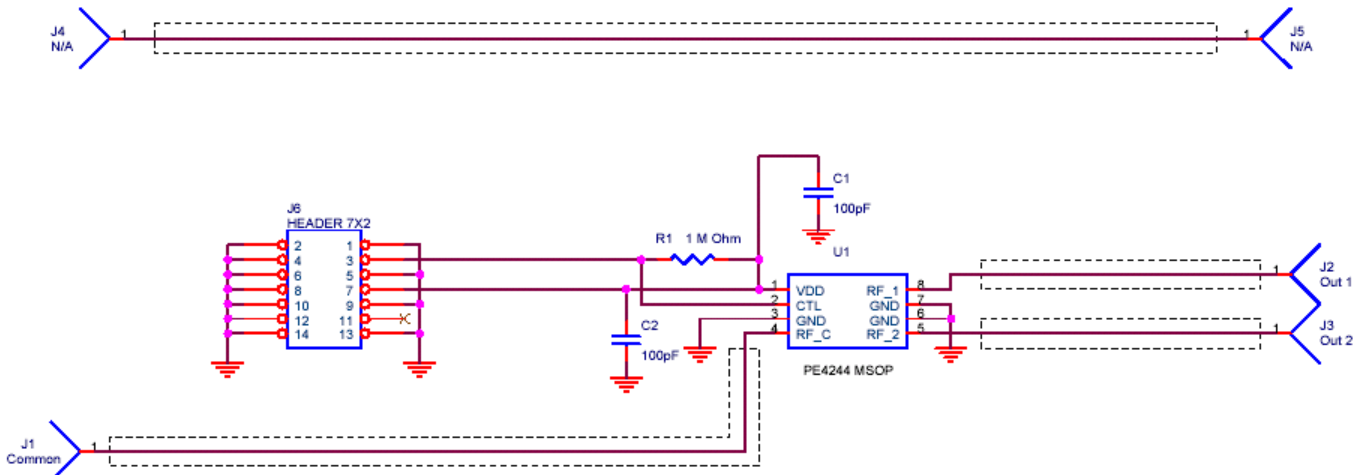
The board is constructed of a two metal layer FR4 material with a total thickness of 0.031". The bottom layer provides ground for the RF transmission lines. The transmission lines were designed using a coplanar waveguide with ground plane model using a trace width of 0.030", trace gaps of 0.007", dielectric thickness of 0.028", metal thickness of 0.0014" and  $\epsilon_r$  of 4.4.

J2 provides a means for controlling DC and digital inputs to the device. Starting from the lower left pin, the second pin to the right (J2-3) is connected to the device CTRL input. The fourth pin to the right (J2-7) is connected to the device  $V_{DD}$  input. A decoupling capacitor (100 pF) is provided on both CTRL and  $V_{DD}$  traces. It is the responsibility of the customer to determine proper supply decoupling for their design application. Removing these components from the evaluation board has not been shown to degrade RF performance.

**Figure 4. Evaluation Board Layout**  
Peregrine specification 101/0037

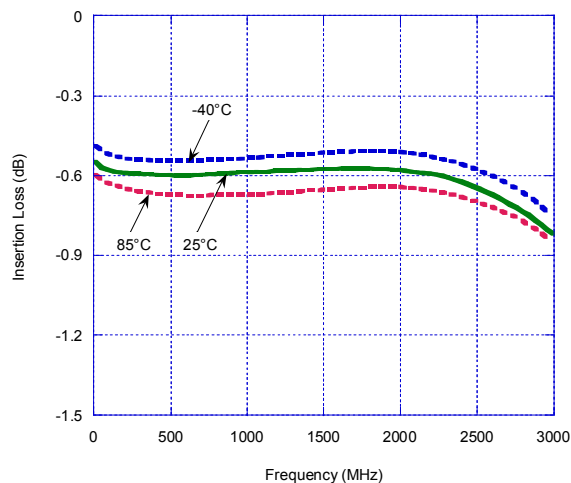


**Figure 5. Evaluation Board Schematic**  
Peregrine specification DOC-40137

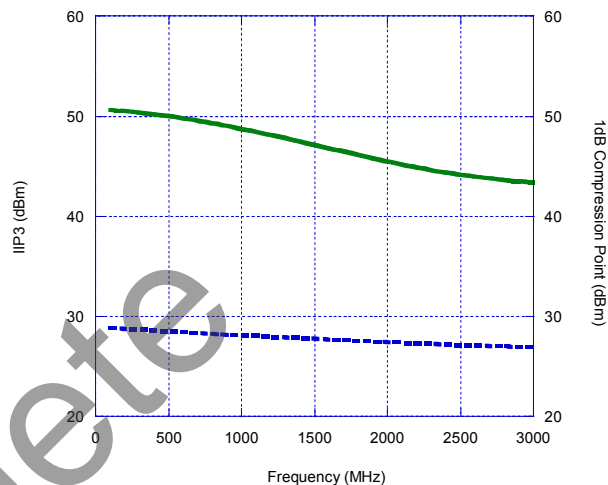


**Typical Performance Data @ -40°C to 85°C (unless otherwise noted)**

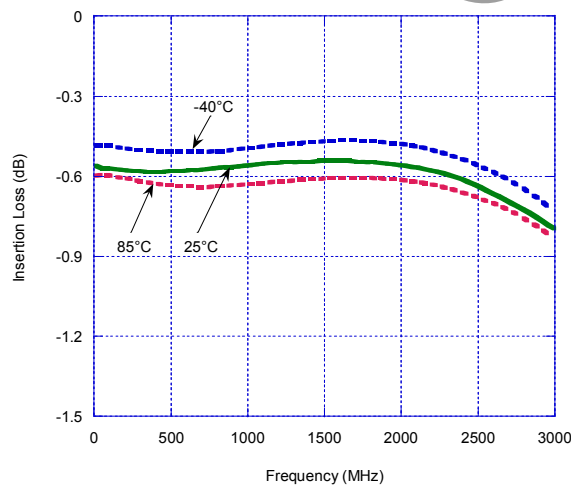
**Figure 6. Insertion Loss – RFC to RF1**



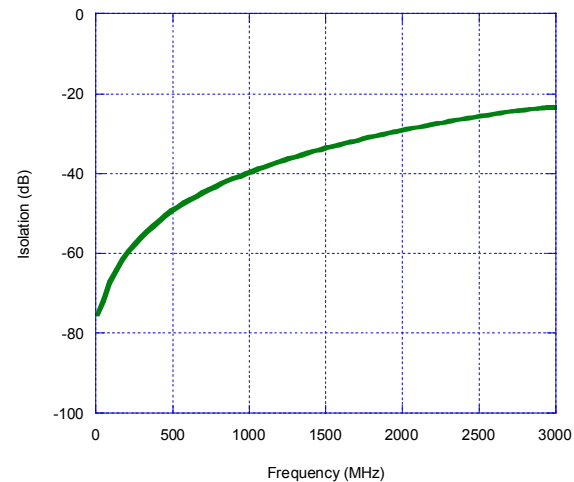
**Figure 7. Input 1 dB Compression Point & IIP3**



**Figure 8. Insertion Loss – RFC to RF2**



**Figure 9. Isolation – RFC to RF1**



Typical Performance Data @ -40°C to 85°C (unless otherwise noted)

Figure 10. Isolation – RFC to RF2

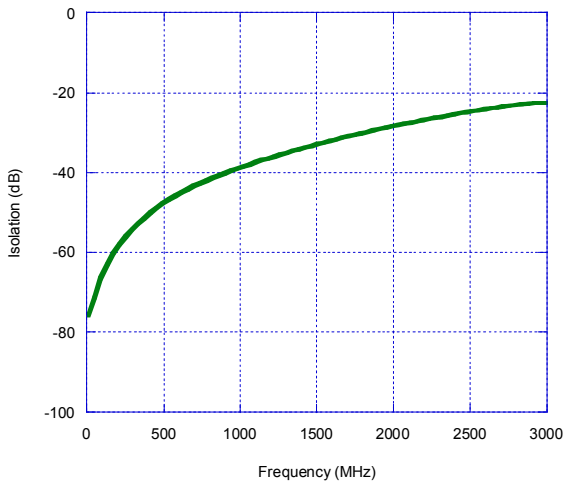


Figure 11. Isolation – RF1 to RF2, RF2 to RF1

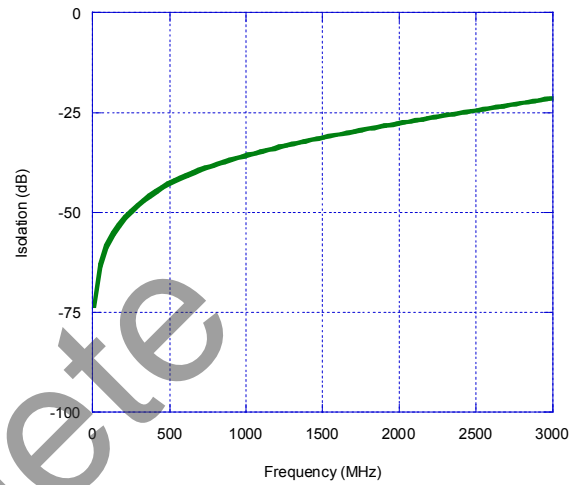


Figure 12. Return Loss – RFC to RF1, RF2

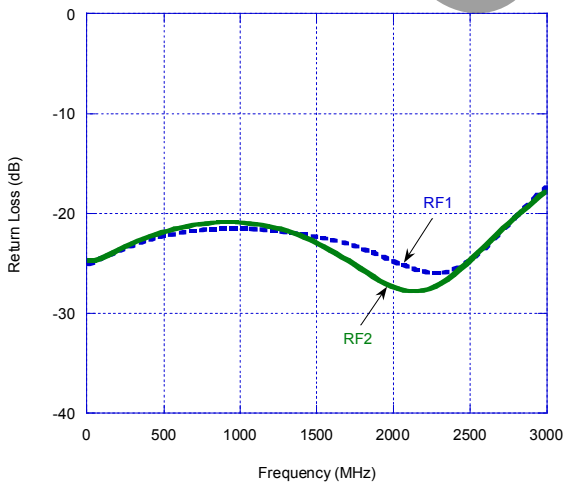


Figure 13. Return Loss – RF1, RF2

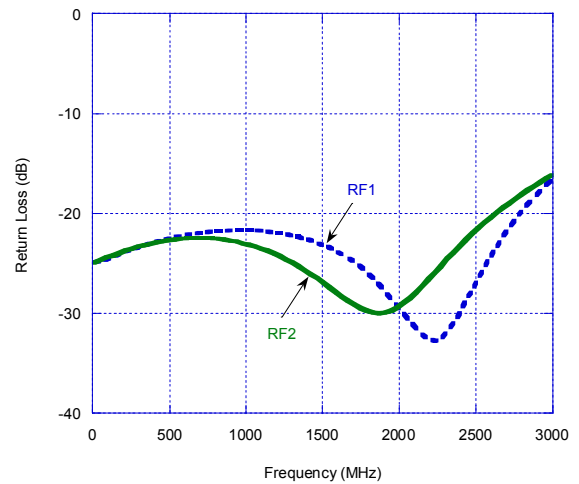
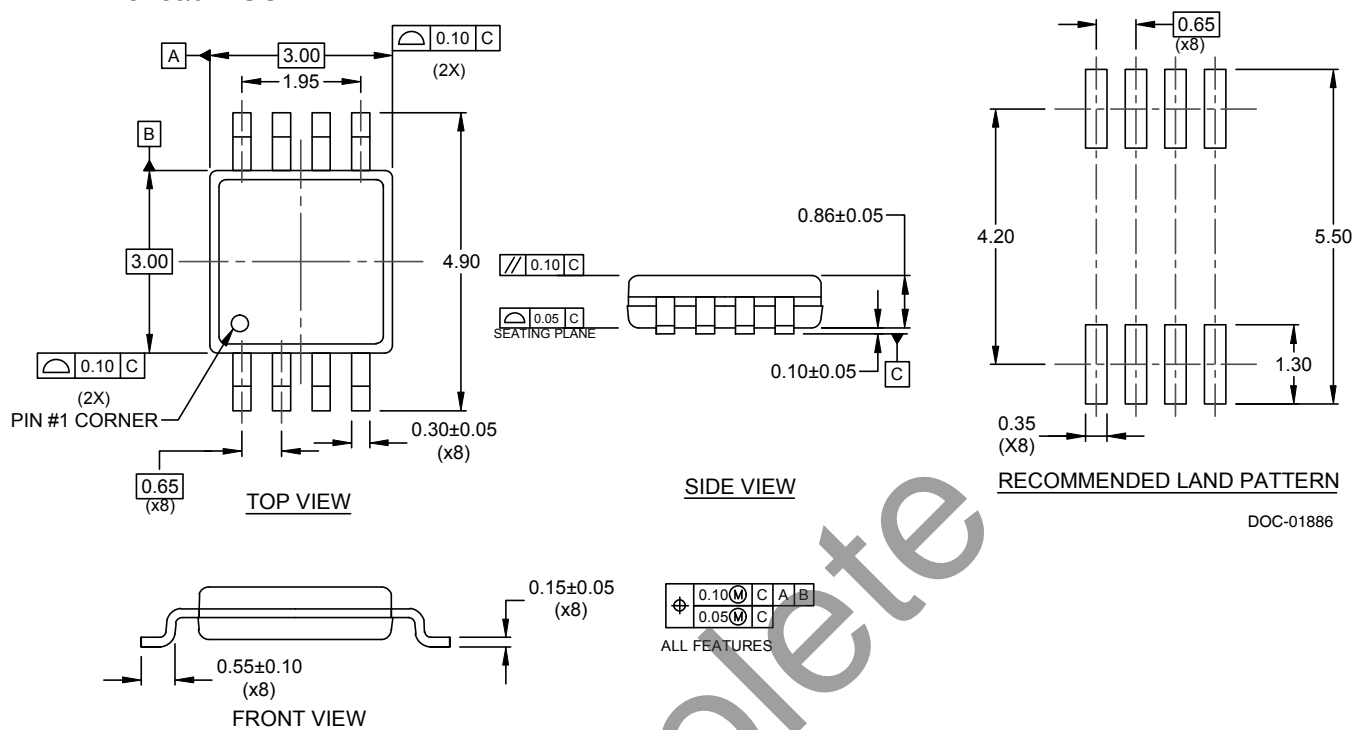


Figure 14. Package Drawing  
8-lead MSOP



DOC-01886

Table 6. Ordering Information

| Order Code | Part Marking | Description          | Package           | Shipping Method  |
|------------|--------------|----------------------|-------------------|------------------|
| 4244-00    | PE4244-EK    | PE4244-08MSOP-EK     | Evaluation Kit    | 1 / Box          |
| 4244-52    | 4244         | PE4244G-08MSOP-2000C | Green 8-lead MSOP | 2000 units / T&R |

## Sales Contact and Information

For sales and contact information please visit [www.psemi.com](http://www.psemi.com).

**Advance Information:** The product is in a formative or design stage. The datasheet contains design target specifications for product development. Specifications and features may change in any manner without notice.

**Preliminary Specification:** The datasheet contains preliminary data. Additional data may be added at a later date. Peregrine reserves the right to change specifications at any time without notice in order to supply the best possible product. **Product Specification:** The datasheet contains final data. In the event Peregrine decides to change the specifications, Peregrine will notify customers of the intended changes by issuing a CNF (Customer Notification Form).

The information in this datasheet is believed to be reliable. However, Peregrine assumes no liability for the use of this information. Use shall be entirely at the user's own risk.

No patent rights or licenses to any circuits described in this datasheet are implied or granted to any third party. Peregrine's products are not designed or intended for use in devices or systems intended for surgical implant, or in other applications intended to support or sustain life, or in any application in which the failure of the Peregrine product could create a situation in which personal injury or death might occur. Peregrine assumes no liability for damages, including consequential or incidental damages, arising out of the use of its products in such applications.

The Peregrine name, logo, UltraCMOS and UTSi are registered trademarks and HaRP, MultiSwitch and DuNE are trademarks of Peregrine Semiconductor Corp. Peregrine products are protected under one or more of the following U.S. Patents: <http://patents.psemi.com>.