



R·A·V-LDEZ, BWZ, BXZ-3C SERIES

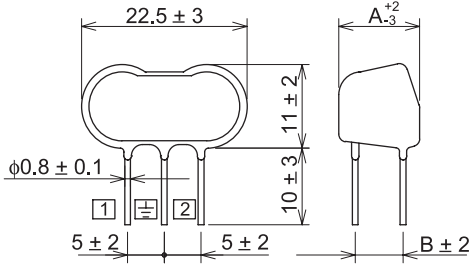
SURGE PROTECTOR

OKAYA

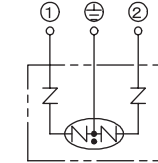
● R·A·V-LDEZ

Designed specifically for use in AC power line applications. This model uses specially treated discharge electrodes for greatly enhanced noise immunity test and surge life making it optimum for the protection of single-phase power supply circuits.

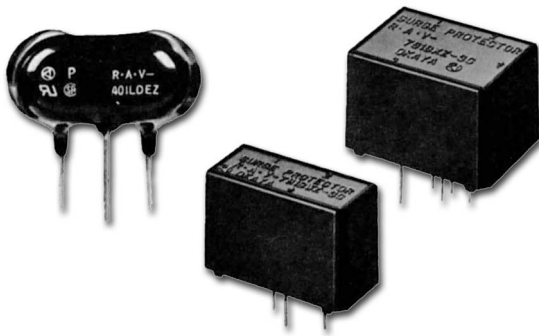
Dimensions



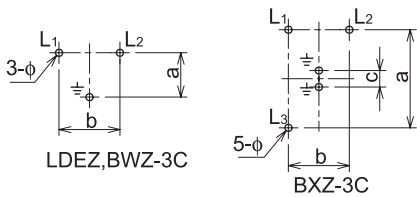
Circuit



	A	B
401LDEZ	11	6.5
781LDEZ	12	7.5



Print circuit board hole dimensions



	a	b	c	φ
401LDEZ	6.5	10	2.8	1.2
781LDEZ	7.5			
401BWZ-3C	6	10	2.8	1.2
781BWZ-3C	6.9			
781BXZ-3C	16.6	10	2.8	1.2

Unit: mm



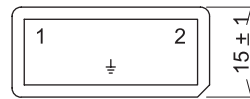
Safety Agency : Standard		File NO.
UL	UL1449	E143446
CSA	C22.2 No.8	LR105073

● R·A·V-BWZ, BXZ-3C

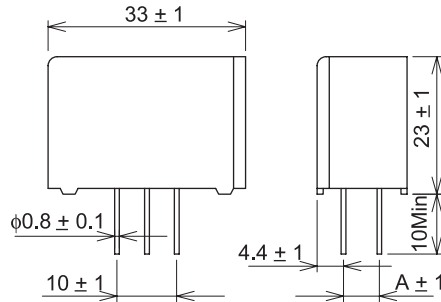
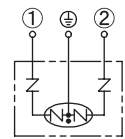
Use of surge protectors: Inverter, NC control systems, Welding machines and etc.

Dimensions

BWZ-3C series



Circuit

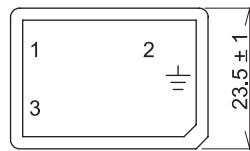


	A
401BWZ-3C	6
781BWZ-3C	6.9

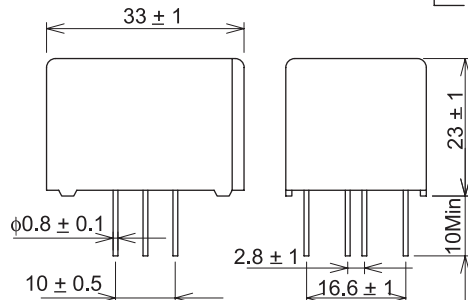
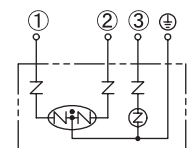
Unit: mm

Dimensions

BXZ-3C series



Circuit



Unit: mm

Electrical Specifications

Safety agency	Model Number	Circuit Voltage (50/60HzVrms)	Max. Line Voltage (Vrms)	Clamp Voltage V1.0 ± 10%	Peak Surge Current 8/20μs(A)	Peak Surge Voltage 1.2/50μs(A)	Capacitance (PF) Max.	Operating Temp. range (°C)	Weight (g)
UL	R·A·V-401LDEZ	125 1 φ	145	403	1000	12k	100	-20 ~ +70	10
	R·A·V-781LDEZ	250 1 φ	300	783					
UL	R·A·V-401BWZ-3C	125 1 φ	145	403	2500	20k	100		20
	R·A·V-781BWZ-3C	250 1 φ	300	783					
UL	R·A·V-781BXZ-3C	250 3 φ	300	783		50		30	