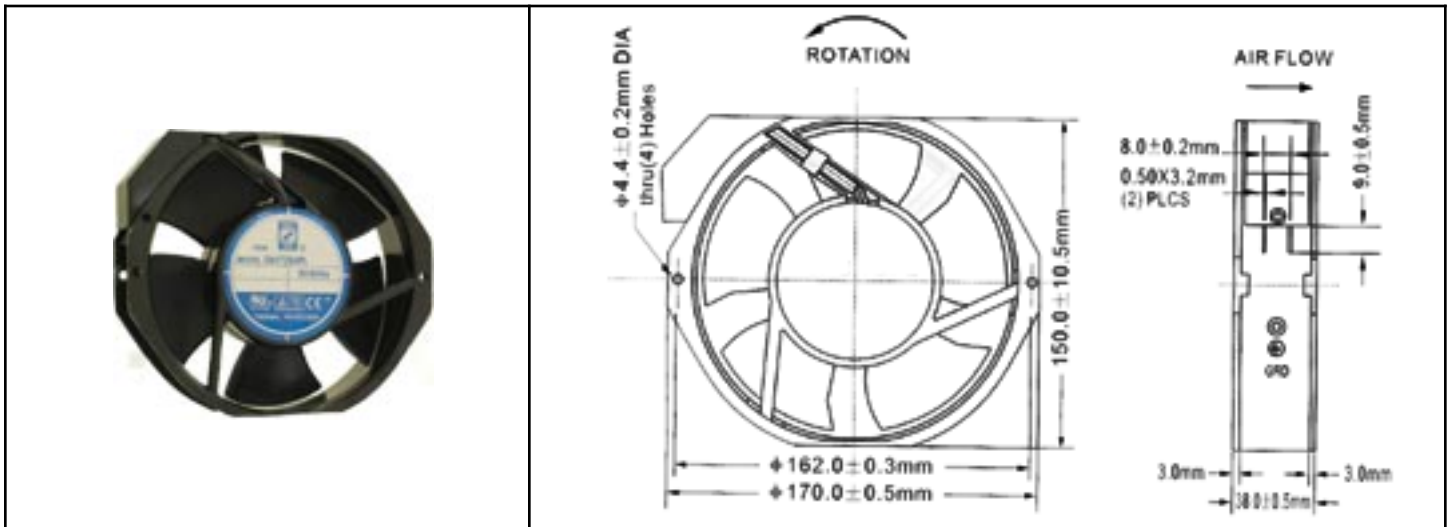


OA172SAPL Series



172 x 150 x 38mm
(6.7"x 5.9"x 1.5")



| | | | |
|-----------------------|--|---|--|
| Frame | Diecast Aluminum | <u>Operating Temperature</u> Ball Bearing -20C ~ +80C | |
| Impeller | PBT, UL94V-O plastic | | |
| Connection | 2x Lead Wires or Terminals | <u>Life Expectancy</u> Ball Bearing 60,000 hours (L10 at 40C) | |
| Motor | Capacitor drive, impedance and thermally protected | | |
| Bearing System | Dual ball | | |
| Insulation Resistance | >100M ohm between lead-wire and frame (500VDC) | | |
| Dielectric Strength | 1 min at 1500 VAC, 50/60Hz | | |

| Model Number | Speed (RPM) | Airflow (CFM) | Noise (dB) | Volts AC | Voltage Range | Watts | Max. Static Pressure (\"H2O) |
|------------------|-------------|---------------|------------|----------|---------------|-------|------------------------------|
| OA172SAPL-11-1 * | 3400 | 228 | 58 | 115 | 80~130 | 28 | .87 |
| OA172SAPL-11-2 * | 1700 | 103 | 44 | 115 | 80~130 | 26 | .26 |
| OA172SAPL-22-1 * | 3400 | 228 | 58 | 230 | 160~260 | 28 | .87 |
| OA172SAPL-22-2 * | 1700 | 103 | 44 | 230 | 160~260 | 26 | .26 |

* Indicate "TB" (Terminal Ball Bearing), "WB" (12" Wire Leads, Ball Bearing)