

LINE N°1 CLOSED  
YELLOW BACK GRID VERSION

LEFT WIRE OUTPUT		RIGHT WIRE OUTPUT	
MATERIAL NUMBER	COLOR	MATERIAL NUMBER	COLOR
0643192211	BLACK	0643194211	BLACK

LINE N°4 CLOSED  
GREEN BACK GRID VERSION

LEFT WIRE OUTPUT		RIGHT WIRE OUTPUT	
MATERIAL NUMBER	COLOR	MATERIAL NUMBER	COLOR
0643192218	GREY	0643194218	GREY

- NOTES:**
- FOR ILLUSTRATION PURPOSE THE FEMALE HOUSING SHOWN IS THE RIGHT WIRE OUTPUT VERSION (CODING 1)
  - APPLICATION SPECIFICATION: AS-64319-001
  - WIRES EXTERNAL DIAMETER USED:  
FOR CP0.6 TERMINAL: USE WIRES WITH AN EXTERNAL DIAMETER BETWEEN Ø125MM MIN AND Ø150MM MAX  
FOR CP1.5 TERMINAL: USE WIRES WITH AN EXTERNAL DIAMETER BETWEEN Ø140MM MIN AND Ø2.80MM MAX
  - THE CONNECTOR FITS WITH WIRE CAP (32 WAY) MOLEX P/N 0643191201
  - BLIND PLUG FOR 0.6 AND 1.5 CAVITIES (MOLEX P/N 0643251010 AND 0643251023) MUST BE USED ON THIS PART.
  - DELIVERED PRODUCT WEIGHT: 27.6 g

POS.	DESIGNATION	MATERIAL	COLOR
7	MAT SEAL	Silicon	RED
8	BACK GRID 24W	>PBT-GF20<	COLOR LINKED TO LINE CLOSED
9	LOCKING LEVER 32W	>PBT-GF30<	BLACK
4	SECONDARY LOCK	>PBT-GF20<	GREEN
9	PERIPHERAL SEAL 32W	Silicon	BLUE
2	BACK PART	>PBT-GF20<	BLACK
1	FRONT PART	>PBT-GF20<	COLOR LINKED TO KEYING

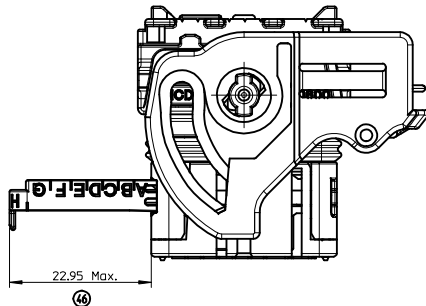
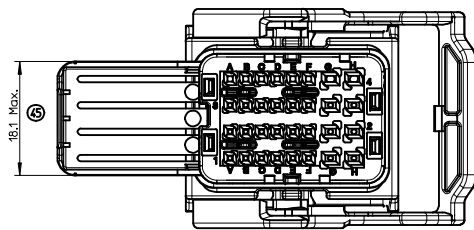
**MARKINGS :**

- ▲ - Assembled part tracability: Day + Year
- ▲ - Terminal cavities identification
- ▲ - Lever position indicator: 'D' LETTER VISIBLE = part with "LEVER ON THE RIGHT" 'G' LETTER VISIBLE = part with "LEVER ON THE LEFT"
- ▲ - Supplier identification
- ▲ - Material identification

<b>MAT SEAL UPDATE</b> EC NO: G2014-0073 DRWNGP/LESSIS 2013/10/29 CHKDC/BOUCHAN 2013/10/29 APPR/OP/LESSIS 2013/11/12	QUALITY SYMBOLS 4 PLACES ± --- ± --- 3 PLACES ± --- ± --- 2 PLACES ± 0.1 ± --- 1 PLACE ± 0.1 ± --- 0 PLACE ± --- ± ---	GENERAL TOLERANCES (UNLESS SPECIFIED)		DIMENSION STYLE MM ONLY		SCALE 2.5:1	DESIGN UNITS METRIC	FIRST ANGLE PROJECTION	
		mm	INCH	DRAWN BY DATE T. BADAROUX 2008/05/23		TITLE CMC CONNECTOR 24 WAY MAT SEAL VERSION			
		DRAFT WHERE APPLICABLE MUST REMAIN WITHIN DIMENSIONS		CHECKED BY DATE P. GRANDCLAUD 2008/05/23		APPROVED BY DATE C. BOUCHAN 2008/05/23		MATERIAL NO. SEE CHART	DOCUMENT NO. SD-64319-003
		ANGULAR ± 2 °		SIZE A1		THIS DRAWING CONTAINS INFORMATION THAT IS PROPRIETARY TO MOLEX INCORPORATED AND SHOULD NOT BE USED WITHOUT WRITTEN PERMISSION		SHEET NO. 1 OF 2	

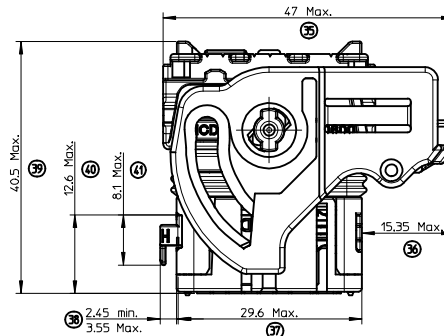
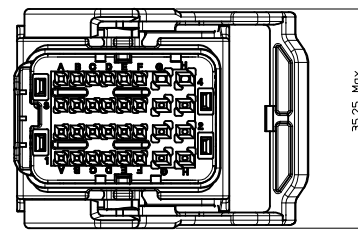
CONNECTOR OVERALL DIMENSIONS:  
SECONDARY LOCKING FULLY OPENED  
FOR TERMINALS INSERTION

RIGHT WIRE OUTPUT

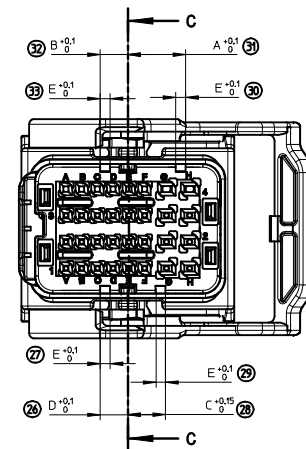


CONNECTOR OVERALL DIMENSIONS:  
SECONDARY LOCKING IN DELIVERY  
POSITION

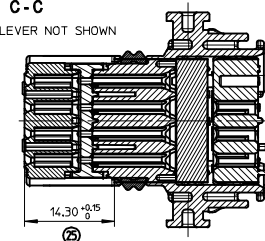
RIGHT WIRE OUTPUT



CODING POSITION

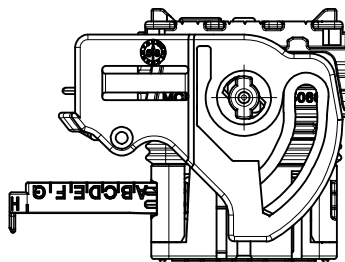
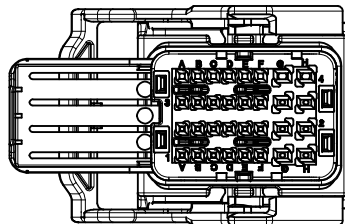


C-C  
LOCKING LEVER NOT SHOWN



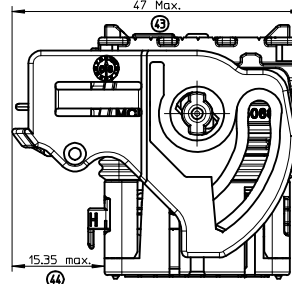
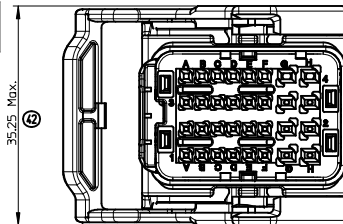
CONNECTOR OVERALL DIMENSIONS:  
SECONDARY LOCKING FULLY OPENED  
FOR TERMINALS INSERTION

LEFT WIRE OUTPUT



CONNECTOR OVERALL DIMENSIONS:  
SECONDARY LOCKING IN DELIVERY  
POSITION

LEFT WIRE OUTPUT



COLOR	CODING	A	B	C	D	E
BLACK	1	9.2	4.4	6	4.4	1.6
GREY	2	7.6	6	9.2	6	1.6
BROWN	3	6	7.6	9.2	9.2	1.6
BLUE	5	4.4	7.6	6	6	1.6

TERMINALS USED

CAVITY #	FEMALE TERMINALS (Section mm2)	PLATING	MOLEX P/N	min / MAX WIRE INSULATION DIAMETER (mm)
A1 to F1 A2 to F2 A3 to F3 A4 to F4	CP 0,6 0,35mm2	Tin plated	0643221019	Ø125 min / Ø140 Max
		Gold plated	0643221229	
	CP 0,6 0,5mm2	Tin plated	0643221039	Ø140 min / Ø170 Max
		Gold plated	0643221239	
G1 to H4 G1 to H4	CP 0,6 0,75mm2	Tin plated	0643221029	Ø160 min / Ø190 Max
		Gold plated	0643221219	
	CP 1,5 0,5mm2 to 1mm2	Tin plated	0643231029	Ø140 min / Ø215 Max
		Gold plated	0643231319	
	CP 1,5 >1mm2 to 2mm2	Tin plated	0643231039	Ø210 min / Ø280 Max
		Gold plated	0643231219	

<p>MAT SEAL UPDATE</p> <p>EC NO: G2014-0073</p> <p>DRWING: PLESSIS 2013/10/29</p> <p>CHKD: BOUCHAN 2013/10/29</p> <p>APPR: PLESSIS 2013/11/12</p>	<p>QUALITY SYMBOLS</p> <p>DESCRIPTION</p>	<p>GENERAL TOLERANCES (UNLESS SPECIFIED)</p>		<p>DIMENSION STYLE</p> <p>MM ONLY</p>		<p>SCALE</p> <p>2,5:1</p>	<p>DESIGN UNITS</p> <p>METRIC</p>	<p>FIRST ANGLE PROJECTION</p>	
		<p>4 PLACES ± --- ± ---</p>	<p>3 PLACES ± --- ± ---</p>	<p>DRAWN BY</p> <p>T. BADAROUX</p>	<p>DATE</p> <p>2008/05/23</p>	<p>TITLE</p> <p>CMC CONNECTOR 24 WAY MAT SEAL VERSION</p>			
		<p>2 PLACES ± 0.1 ± ---</p>	<p>1 PLACE ± 0.1 ± ---</p>	<p>CHECKED BY</p> <p>P. GRANDCLAUD</p>	<p>DATE</p> <p>2008/05/23</p>	<p>MOLEX</p>			
		<p>0 PLACE ± --- ± ---</p>	<p>ANGULAR ± 2 °</p>	<p>APPROVED BY</p> <p>C. BOUCHAN</p>	<p>DATE</p> <p>2008/05/23</p>	<p>MATERIAL NO.</p> <p>SEE SHEET 1</p>	<p>DOCUMENT NO.</p> <p>SD-64319-003</p>	<p>SHEET NO.</p> <p>2 OF 2</p>	

DRAFT WHERE APPLICABLE MUST REMAIN WITHIN DIMENSIONS

THIS DRAWING CONTAINS INFORMATION THAT IS PROPRIETARY TO MOLEX INCORPORATED AND SHOULD NOT BE USED WITHOUT WRITTEN PERMISSION