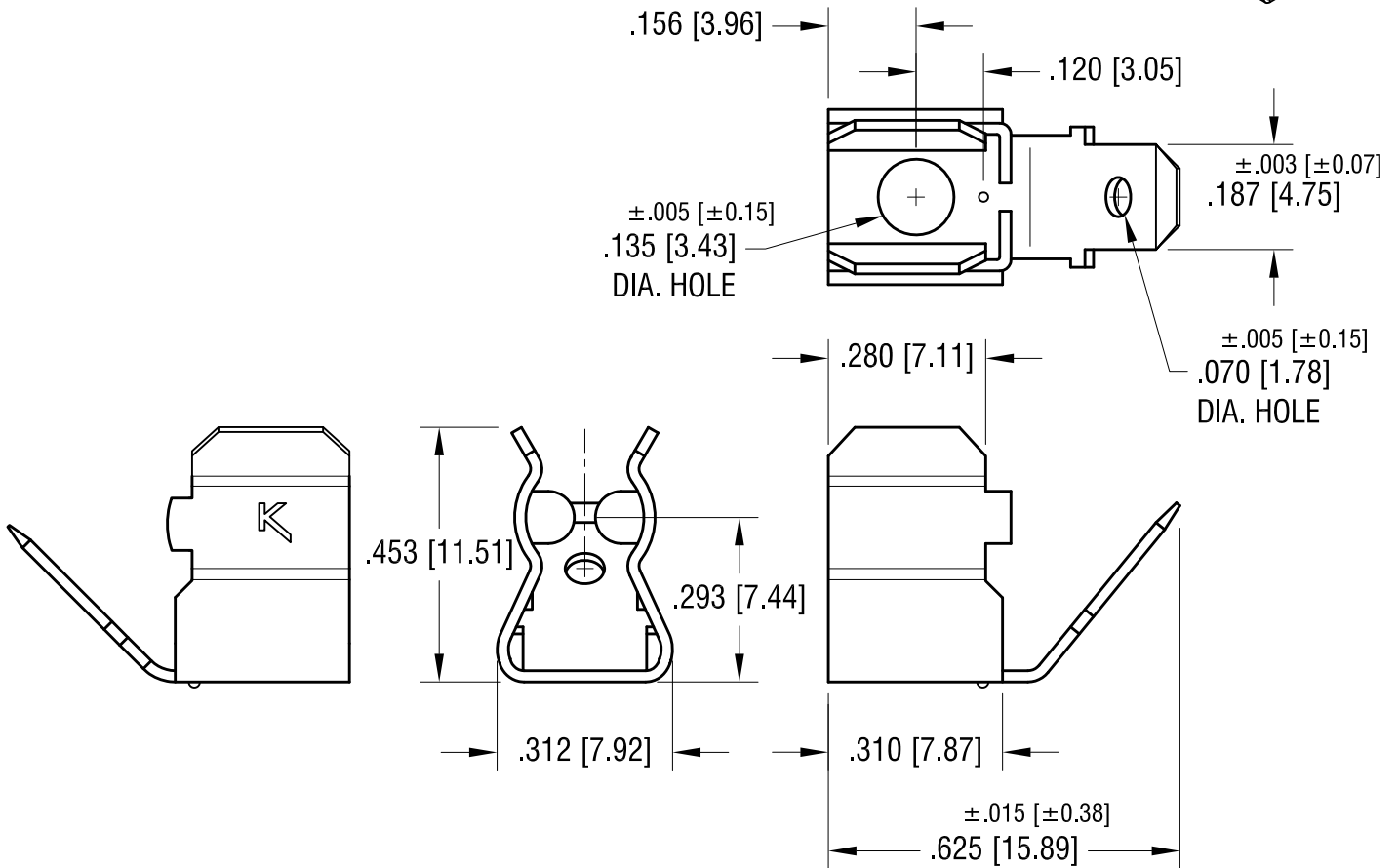
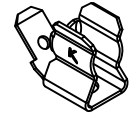


THIS DOCUMENT IS THE PROPERTY OF  
KEYSTONE ELECTRONICS CORP. AND  
SHALL NOT BE REPRODUCED, DISTRIBUTED  
OR USED AS A BASIS FOR MANUFACTURE  
WITHOUT PRIOR WRITTEN PERMISSION  
FROM KEYSTONE ELECTRONICS CORP.

**ACTUAL SIZE**



**KEYSTONE ELECTRONICS CORP.**

www.keyelco.com • ASTORIA, N.Y. 11105-2017 • Tel (718) 956-8900

PART NAME

3AG QUICK-FIT FUSE CLIP

MATERIAL

.020 [0.50] TH'K BRASS

FINISH

NICKEL PLATE

DRN BY

BOONE

DATE

5.23.02

APP'D

LN

SCALE

3X

TOLERANCES

INCH [MM]

DECIMAL

$\pm .010 [\pm 0.25]$

ANGULAR

$\pm 1^\circ$

UNLESS OTHERWISE SPECIFIED

CODE

C

DWG NO.

4246

9.12.12 CHANGE AS PER ECN 12-140

B

12.11.09 CHANGE AS PER ECN 09-183

A

DATE

DESCRIPTION

REV.

# Mouser Electronics

Authorized Distributor

Click to View Pricing, Inventory, Delivery & Lifecycle Information:

[Keystone Electronics:](#)

[4246](#)