

POWR-BLOKS™

Distribution Blocks • Splicer Blocks • Covers



Description

POWR-BLOKS™ power distribution blocks offer a safe, convenient way of splicing cables, providing a fixed junction tap-off point or splitting primary power into secondary circuits. Lx2xxx-DIN series offers integral DIN-Rail mount and an optional hinged safety cover.

Optional power distribution block covers provide protection against accidental shorting between poles caused by loose wires, tools, or other conductive material. They also protect personnel from accidentally contacting energized connectors. To order protective covers, match the number of poles for the block to the cover.

Applications

Typical applications include heating, air conditioning and refrigeration systems, elevator systems, material handling equipment, control panels, motor controls, switchgear, and anywhere power needs to be distributed to more than one load.

Connectors

Box lug connectors are designed for use with a single, solid or class B or C stranded conductor. Use of more than one conductor per connector opening or use of extra-flexible, fine-stranded conductors, such as welding cable, voids the UL Listing and may cause overheating. Manufacturers of cable terminations can furnish crimp-on sleeves for fine stranded conductors which permit these conductors to be used with box lugs.

Ampere Ratings

The ampere rating per pole for power distribution blocks is based on the line ampacity of 75°C insulated conductors per NEC® Table 310.16. If 60°C insulated conductors are used, load must not exceed the ampacity of 60°C conductors. Use of conductors rated in excess of 75°C is permitted (for example 90°C), however, load must not exceed the ampacity of 75°C conductors.

Specifications

Voltage Rating	600 V
Current Rating	Based on NEC Table 310.16, using 75°C copper wire
Material	Phenolic rated at 150°C and Thermoplastic rated at 125°C (LD1400 and LS1300 series only)
Connector	Standard: Highly conductive aluminum, tin plated Copper: Highly conductive copper, tin plated
Flammability Rating	UL94 V-0
Approvals	UL Recognized - LD/LS Series (File: E171395) LFD/LFS Series (File: E309688) CSA Certified - LD/LS Series (File: LR700111) LFD/LFS Series (File: 007316_0_000)
Environmental	RoHS compliant, Lead (Pb) free

Ordering Information

See Selection Guide on next page

Web Resources

For dimension, CAD and 3-D drawings, visit:

Littelfuse.com/powrbloks

Hinged Plastic Covers

CATALOG/ ORDERING NUMBER	FOR USE WITH DISTRIBUTION/SPLICER BLOCK NO.	POLES
OLCH1321Z	LD2xxx-1DIN / LS2xxx-1DIN	1
OLCH1322Z	LD2xxx-2DIN / LS2xxx-2DIN	2
OLCH1323Z	LD2xxx-3DIN / LS2xxx-3DIN	3

Note: Optional hinged covers snap on to blocks.

Clear Plastic Covers

CATALOG/ ORDERING NUMBER	FOR USE WITH DISTRIBUTION/SPLICER BLOCK NO.	POLES
LPBC02	LD0xxx-2 / LS0xxx-2	2
LPBC03	LFD0xxx-3 / LD0xxx-3 / LS0xxx-3	3
LPBC21	LD2xxx-1 / LS2xxx-1	1
LPBC22	LD2xxx-2 / LS2xxx-2	2
LPBC23	LFD2xxx-3 / LD2xxx-3 / LFS2xxx-3 / LS2xxx-3	3
LPBC31	LD3xxx-1 / LS3xxx-1	1
LPBC32	LD3xxx-2 / LS3xxx-2	2
LPBC33	LFD3xxx-3 / LD3xxx-3 / LS3xxx-3	3
LPBC41	LD4xxx-1 / LS4xxx-1	1
LPBC42	LD4xxx-2 / LS4xxx-2	2
LPBC43	LD4xxx-3 / LS4xxx-3	3
LPBC51	LD5xxx-1 / LS5xxx-1	1
LPBC52	LD5xxx-2 / LS5xxx-2	2
LPBC53	LFD5xxx-3 / LD5xxx-3 / LS5xxx-3	3

Note: For installation of optional clear plastic covers, use the screws provided with each cover.

POWR-BLOKS™

Distribution Block Selection Guide

AMP PER POLE	POLES	CONNECTOR MATERIAL	LINE CONNECTION				LOAD CONNECTION				DRAWING	CATALOG/ ORDERING NUMBER		
			CONNECTOR IMAGE	OPENINGS PER POLE	LUG TYPE	WIRE RANGE	TORQUE RANGE	CONNECTOR IMAGE	OPENINGS PER POLE	LUG TYPE			WIRE RANGE	TORQUE RANGE
115	1	AL		1	Slotted	#2 - #14	35-50 in-lbs		4	Slotted	#10 - #18	7 in-lbs	2	OLD14001Z
115	2			1	Slotted	#2 - #14	35-50 in-lbs		4	Slotted	#10 - #18	7 in-lbs	2	OLD14002Z
115	3			1	5/32" Hex	#2 - #14	50-40 in-lbs		4	5/64" Hex	#10 - #18	7 in-lbs	2	LFD14003Z
115	4			1	Slotted	#2 - #14	35-50 in-lbs		4	Slotted	#10 - #18	5-7 in-lbs	2	OLD14004Z
175	2	AL		1	5/16" Hex	2/0 - #14	35-120 in-lbs		6	Slotted	#4 - #14	35 in-lbs	1	OLD04012Z
175	3			1	3/16" Hex	2/0 - #14	40-120 in-lbs		6	1/8" Hex	#4 - #14	35 in-lbs	1	LFD04013Z
175	2	AL		1	5/16" Hex	2/0 - #14	35-120 in-lbs		4	Slotted	#4 - #14	35 in-lbs	1	OLD04022Z
175	3			1	5/16" Hex	2/0 - #14	35-120 in-lbs		4	Slotted	#4 - #14	35 in-lbs	1	OLD04023Z
310	2	AL		1	5/16" Hex	350mcm - #6	275 in-lbs		6	Slotted	#4 - #14	35 in-lbs	1	OLD04042Z
310	3			1	5/16" Hex	350mcm - #6	275 in-lbs		6	Slotted	#4 - #14	35 in-lbs	1	OLD04043Z
175	1	AL		1	5/16" Hex	2/0 - #14	35-120 in-lbs		4	1/8" Hex	#4 - #14	35 in-lbs	3	OLD25701Z
175	2			1	3/16" Hex	2/0 - #14	40-120 in-lbs		4	1/8" Hex	#4 - #14	35 in-lbs	3	LFD25702Z
175	3			1	3/16" Hex	2/0 - #14	40-120 in-lbs		4	1/8" Hex	#4 - #14	35 in-lbs	3	LFD25703Z
175	1			1	3/16" Hex	2/0 - #14	35-120 in-lbs		4	Slotted	#4 - #14	35 in-lbs	3	OLD29701Z
175	2	CU		1	3/16" Hex	2/0 - #14	35-120 in-lbs		4	Slotted	#4 - #14	35 in-lbs	3	OLD29702Z
175	3			1	3/16" Hex	2/0 - #14	35-120 in-lbs		4	Slotted	#4 - #14	35 in-lbs	3	OLD29703Z
335	1			1	5/16" Hex	400mcm - #6	275 in-lbs		4	Slotted	#2 - #14	35-50 in-lbs	5	OLD35521Z
335	2	AL		1	5/16" Hex	400mcm - #6	275 in-lbs		4	Slotted	#2 - #14	35-50 in-lbs	5	OLD35522Z
380	3			1	3/8" Hex	500mcm - #6	375 in-lbs		4	5/32" Hex	#2 - #14	35-50 in-lbs	5	LFD35523Z
335	1	AL		1	5/16" Hex	400mcm - #6	275 in-lbs		6	Slotted	#2 - #14	35-50 in-lbs	5	OLD35531Z
335	2			1	5/16" Hex	400mcm - #6	275 in-lbs		6	Slotted	#2 - #14	35-50 in-lbs	5	OLD35532Z
380	3			1	3/8" Hex	500mcm - #6	375 in-lbs		6	5/32" Hex	#2 - #14	40-50 in-lbs	5	LFD35533Z
350	1			2	5/16" Hex	2/0 - #14	35-120 in-lbs		6	Slotted	#4 - #14	35 in-lbs	5	OLD35551Z
350	2	AL		2	5/16" Hex	2/0 - #14	35-120 in-lbs		6	Slotted	#4 - #14	35 in-lbs	5	OLD35552Z
350	3			2	3/16" Hex	2/0 - #14	40-120 in-lbs		6	1/8" Hex	#4 - #14	35 in-lbs	5	LFD35553Z
380	1			1	Slotted	500mcm - #4	375 in-lbs		6	5/32" Hex	#2 - #14	35-50 in-lbs	5	OLD39531Z
380	2	CU		1	Slotted	500mcm - #4	375 in-lbs		6	5/32" Hex	#2 - #14	35-50 in-lbs	5	OLD39532Z
380	3			1	Slotted	500mcm - #4	375 in-lbs		6	5/32" Hex	#2 - #14	35-50 in-lbs	5	OLD39533Z
350	1	CU		2	Slotted	2/0 - #14	35-120 in-lbs		6	1/8" Hex	#4 - #14	35 in-lbs	5	OLD39551Z
350	2			2	Slotted	2/0 - #14	35-120 in-lbs		6	1/8" Hex	#4 - #14	35 in-lbs	5	OLD39552Z
350	3			2	Slotted	2/0 - #14	35-120 in-lbs		6	1/8" Hex	#4 - #14	35 in-lbs	5	OLD39553Z
380	1			1	Slotted	500mcm - #4	375 in-lbs		6	Slotted	#2 - #14	35-50 in-lbs	6	OLD45511Z
380	2	AL		1	Slotted	500mcm - #4	375 in-lbs		6	Slotted	#2 - #14	35-50 in-lbs	6	OLD45512Z
380	3			1	Slotted	500mcm - #4	375 in-lbs		6	Slotted	#2 - #14	35-50 in-lbs	6	OLD45513Z
335	1			1	Slotted	400mcm - #6	275 in-lbs		8	Slotted	#2 - #14	35-50 in-lbs	6	OLD45601Z
335	2	AL		1	Slotted	400mcm - #6	275 in-lbs		8	Slotted	#2 - #14	35-50 in-lbs	6	OLD45602Z
335	3			1	Slotted	400mcm - #6	275 in-lbs		8	Slotted	#2 - #14	35-50 in-lbs	6	OLD45603Z
380	1	AL		1	Slotted	500mcm - #4	375 in-lbs		12	Slotted	#2 - #14	35-50 in-lbs	7	OLD55521Z
380	2			1	Slotted	500mcm - #4	375 in-lbs		12	Slotted	#2 - #14	35-50 in-lbs	7	OLD55522Z
380	3			1	3/8" Hex	500mcm - #4	375 in-lbs		12	5/32" Hex	#2 - #14	40-50 in-lbs	7	LFD55523Z
380	1			1	3/8" Hex	500mcm - #4	375 in-lbs		6	5/16" Hex	2/0 - #14	35-120 in-lbs	7	OLD55791Z
380	2	AL		1	3/8" Hex	500mcm - #4	375 in-lbs		6	5/16" Hex	2/0 - #14	35-120 in-lbs	7	OLD55792Z
380	3			1	3/8" Hex	500mcm - #4	375 in-lbs		6	3/16" Hex	2/0 - #14	40-120 in-lbs	7	LFD55793Z
760	1			AL		2	3/8" Hex		500mcm - #6	375 in-lbs		8	5/16" Hex	2/0 - #14
760	2	2	3/8" Hex			500mcm - #6	375 in-lbs	8	5/16" Hex	2/0 - #14		35-120 in-lbs	7	OLD55862Z
760	3	2	3/8" Hex			500mcm - #4	375 in-lbs	8	3/16" Hex	2/0 - #14		40-120 in-lbs	7	LFD55863Z
665	1	AL		1	3/8" Hex	500mcm - #4	375 in-lbs		4	Slotted	2/0 - #14	35-120 in-lbs	7	OLD55871Z
665	2			1	3/8" Hex	500mcm - #4	375 in-lbs		4	Slotted	2/0 - #14	35-120 in-lbs	7	OLD55872Z
665	3			1	3/8" Hex	500mcm - #4	375 in-lbs		4	Slotted	2/0 - #14	35-120 in-lbs	7	OLD55873Z
665	3			1	3/8" Hex	350mcm - #4	275 in-lbs							

Note: AL = Aluminum / CU = Copper

POWR-BLOKS™

Distribution Block Selection Guide

AMP PER POLE	POLES	CONNECTOR MATERIAL	LINE CONNECTION				LOAD CONNECTION				DRAWING	CATALOG/ ORDERING NUMBER		
			CONNECTOR IMAGE	OPENINGS PER POLE	LUG TYPE	WIRE RANGE	TORQUE RANGE	CONNECTOR IMAGE	OPENINGS PER POLE	LUG TYPE			WIRE RANGE	TORQUE RANGE
760	1	AL		2	3/8" Hex	500mcm-#6	375 in-lbs		12	Slotted	#4 - #14	35 in-lbs	7	OLD55921Z
760	2			2	3/8" Hex	500mcm-#6	375 in-lbs		12	Slotted	#4 - #14	35 in-lbs	7	OLD55922Z
760	3			2	3/8" Hex	500mcm-#4	375 in-lbs		12	1/8" Hex	#4 - #14	35 in-lbs	7	LF055923Z
380	1	AL		1	3/8" Hex	500mcm-#4	375 in-lbs		8	5/32" Hex	#2 - #14	35-50 in-lbs	7	OLD55941Z
380	2			1	3/8" Hex	500mcm-#4	375 in-lbs		8	5/32" Hex	#2 - #14	35-50 in-lbs	7	OLD55942Z
380	3			1	3/8" Hex	500mcm-#4	375 in-lbs		8	5/32" Hex	#2 - #14	35-50 in-lbs	7	OLD55943Z
760	1	CU		2	3/8" Hex	500mcm-#4	375 in-lbs		8	3/16" Hex	2/0 - #14	35-120 in-lbs	7	OLD59861Z
760	2			2	3/8" Hex	500mcm-#4	375 in-lbs		8	3/16" Hex	2/0 - #14	35-120 in-lbs	7	OLD59862Z
760	3			2	3/8" Hex	500mcm-#4	375 in-lbs		8	3/16" Hex	2/0 - #14	35-120 in-lbs	7	OLD59863Z
760	1	CU		2	3/8" Hex	500mcm-#6	375 in-lbs		12	Slotted	#2 - #14	35-50 in-lbs	7	OLD59921Z
760	2			2	3/8" Hex	500mcm-#6	375 in-lbs		12	Slotted	#2 - #14	35-50 in-lbs	7	OLD59922Z
760	3			2	3/8" Hex	500mcm-#6	375 in-lbs		12	Slotted	#2 - #14	35-50 in-lbs	7	OLD59923Z
175	1	AL		1	3/16" Hex	2/0 - #14	35-120 in-lbs		4	1/8" Hex	#4 - #14	35 in-lbs	4	OLD25701ZXDIN
175	2			1	3/16" Hex	2/0 - #14	35-120 in-lbs		4	1/8" Hex	#4 - #14	35 in-lbs	4	OLD25702ZXDIN
175	3			1	3/16" Hex	2/0 - #14	35-120 in-lbs		4	1/8" Hex	#4 - #14	35 in-lbs	4	OLD25703ZXDIN
175	Adder			1	-	2/0 - #14	35-120 in-lbs	4	-	#4 - #14	35 in-lbs	4	OLD2570AZXDIN	
175	1	AL		1	-	2/0 - #14	35-120 in-lbs		6	-	#4 - #14	35 in-lbs	4	OLD25801ZXDIN
175	2			1	5/16" Hex	2/0 - #14	35-120 in-lbs		6	Slotted	#4 - #14	35 in-lbs	4	OLD25802ZXDIN
175	3			1	5/16" Hex	2/0 - #14	35-120 in-lbs		6	Slotted	#4 - #14	35 in-lbs	4	OLD25803ZXDIN
175	Adder			1	-	2/0 - #14	35-120 in-lbs	6	-	#4 - #14	35 in-lbs	4	OLD2580AZXDIN	
175	1	CU		1	3/16" Hex	2/0 - #14	35-120 in-lbs		4	Slotted	#4 - #14	35 in-lbs	4	OLD29701ZXDIN
175	2			1	3/16" Hex	2/0 - #14	35-120 in-lbs		4	Slotted	#4 - #14	35 in-lbs	4	OLD29702ZXDIN
175	3			1	3/16" Hex	2/0 - #14	35-120 in-lbs		4	Slotted	#4 - #14	35 in-lbs	4	OLD29703ZXDIN
175	Adder			1	-	2/0 - #14	35-120 in-lbs	4	-	#4 - #14	35 in-lbs	4	OLD2970AZXDIN	

Note: AL = Aluminum / CU = Copper

Hinged Plastic Covers



Clear Plastic Covers



POWR-BLOKS™

Splicer Block Selection Guide

AMP PER POLE	POLES	CONNECTOR MATERIAL	LINE CONNECTION				LOAD CONNECTION				DRAWING	CATALOG/ ORDERING NUMBER		
			CONNECTOR IMAGE	OPENINGS PER POLE	LUG TYPE	WIRE RANGE	TORQUE RANGE	CONNECTOR IMAGE	OPENINGS PER POLE	LUG TYPE			WIRE RANGE	TORQUE RANGE
310	2	AL		1	5/16" Hex	350mcm-#6	275 in-lbs		1	5/16" Hex	350mcm-#6	275 in-lbs	1	OLS03032Z
310	3			1	5/16" Hex	350mcm-#6	275 in-lbs		1	5/16" Hex	350mcm-#6	275 in-lbs	1	OLS03033Z
115	1	AL		1	Slotted	#2 - #14	35-50 in-lbs		1	Slotted	#2 - #14	35-50 in-lbs	2	OLS13001Z
115	2			1	Slotted	#2 - #14	35-50 in-lbs		1	Slotted	#2 - #14	35-50 in-lbs	2	OLS13002Z
115	3			1	5/32" Hex	#2 - #14	40-50 in-lbs		1	5/32" Hex	#2 - #14	40-50 in-lbs	2	LFS13003Z
115	4			1	Slotted	#2 - #14	35-50 in-lbs		1	Slotted	#2 - #14	35-50 in-lbs	2	OLS13004Z
150	1	CU		1	3/16" Hex	1/0 - #14	35-120 in-lbs		1	3/16" Hex	1/0 - #18	35-120 in-lbs	3	OLS21211Z
150	2			1	3/16" Hex	1/0 - #14	35-120 in-lbs		1	3/16" Hex	1/0 - #18	35-120 in-lbs	3	OLS21212Z
150	3			1	3/16" Hex	1/0 - #14	35-120 in-lbs		1	3/16" Hex	1/0 - #18	35-120 in-lbs	3	OLS21213Z
115	1	AL		1	Slotted	#2 - #14	35-50 in-lbs		1	Slotted	#2 - #14	35-50 in-lbs	3	OLS25521Z
115	2			1	Slotted	#2 - #14	35-50 in-lbs		1	Slotted	#2 - #14	35-50 in-lbs	3	OLS25522Z
115	3			1	Slotted	#2 - #14	35-50 in-lbs		1	Slotted	#2 - #14	35-50 in-lbs	3	OLS25523Z
175	1	AL		1	5/16" Hex	2/0 - #14	35-120 in-lbs		1	5/16" Hex	2/0 - #14	35-120 in-lbs	3	OLS25721Z
175	2			1	5/16" Hex	2/0 - #14	35-120 in-lbs		1	5/16" Hex	2/0 - #14	35-120 in-lbs	3	OLS25722Z
175	3			1	3/16" Hex	2/0 - #14	40-120 in-lbs		1	3/16" Hex	2/0 - #14	40-120 in-lbs	3	LFS25723Z
255	1	AL		1	5/16" Hex	250mcm-#6	275 in-lbs		1	5/16" Hex	250mcm-#6	275 in-lbs	5	OLS31231Z
255	2			1	5/16" Hex	250mcm-#6	275 in-lbs		1	5/16" Hex	250mcm-#6	275 in-lbs	5	OLS31232Z
255	3			1	5/16" Hex	250mcm-#6	275 in-lbs		1	5/16" Hex	250mcm-#6	275 in-lbs	5	OLS31233Z
255	1	CU		1	3/8" Hex	250mcm-#6	375 in-lbs		1	3/8" Hex	250mcm-#6	375 in-lbs	5	OLS31241Z
255	2			1	3/8" Hex	250mcm-#6	375 in-lbs		1	3/8" Hex	250mcm-#6	375 in-lbs	5	OLS31242Z
255	3			1	3/8" Hex	250mcm-#6	375 in-lbs		1	3/8" Hex	250mcm-#6	375 in-lbs	5	OLS31243Z
310	1	AL		1	5/16" Hex	350mcm-#6	275 in-lbs		1	5/16" Hex	350mcm-#6	275 in-lbs	5	OLS31261Z
310	2			1	5/16" Hex	350mcm-#6	275 in-lbs		1	5/16" Hex	350mcm-#6	275 in-lbs	5	OLS31262Z
310	3			1	5/16" Hex	350mcm-#6	275 in-lbs		1	5/16" Hex	350mcm-#6	275 in-lbs	5	OLS31263Z
420	1	AL		1	1/2" Hex	600mcm-#4	500 in-lbs		1	1/2" Hex	600mcm-#4	500 in-lbs	6	OLS45571Z
420	2			1	1/2" Hex	600mcm-#4	500 in-lbs		1	1/2" Hex	600mcm-#4	500 in-lbs	6	OLS45572Z
420	3			1	1/2" Hex	600mcm-#4	500 in-lbs		1	1/2" Hex	600mcm-#4	500 in-lbs	6	OLS45573Z
620	1	AL		2	5/16" Hex	350mcm-#4	275 in-lbs		2	5/16" Hex	350mcm-#4	275 in-lbs	7	OLS51291Z
620	2			2	5/16" Hex	350mcm-#4	275 in-lbs		2	5/16" Hex	350mcm-#4	275 in-lbs	7	OLS51292Z
620	3			2	5/16" Hex	350mcm-#4	275 in-lbs		2	5/16" Hex	350mcm-#4	275 in-lbs	7	OLS51293Z
760	1	AL		2	3/8" Hex	500mcm-#4	375 in-lbs		2	3/8" Hex	500mcm-#4	375 in-lbs	7	OLS53011Z
760	2			2	3/8" Hex	500mcm-#4	375 in-lbs		2	3/8" Hex	500mcm-#4	375 in-lbs	7	OLS53012Z
760	3			2	3/8" Hex	500mcm-#4	375 in-lbs		2	3/8" Hex	500mcm-#4	375 in-lbs	7	OLS53013Z
175	1	AL		1	5/16" Hex	2/0 - #14	35-120 in-lbs		1	5/16" Hex	2/0 - #14	35-120 in-lbs	4	OLS25721ZXDIN
175	2			1	5/16" Hex	2/0 - #14	35-120 in-lbs		1	5/16" Hex	2/0 - #14	35-120 in-lbs	4	OLS25722ZXDIN
175	3			1	5/16" Hex	2/0 - #14	35-120 in-lbs		1	5/16" Hex	2/0 - #14	35-120 in-lbs	4	OLS25723ZXDIN
175	Adder			1	-	2/0 - #14	35-120 in-lbs		1	-	2/0 - #14	35-120 in-lbs	4	OLS2572AZXDIN
175	1	CU		1	5/16" Hex	2/0 - #14	35-120 in-lbs		1	5/16" Hex	2/0 - #14	35-120 in-lbs	4	OLS29721ZXDIN
175	2			1	5/16" Hex	2/0 - #14	35-120 in-lbs		1	5/16" Hex	2/0 - #14	35-120 in-lbs	4	OLS29722ZXDIN
175	3			1	5/16" Hex	2/0 - #14	35-120 in-lbs		1	5/16" Hex	2/0 - #14	35-120 in-lbs	4	OLS29723ZXDIN
175	Adder			1	-	2/0 - #14	35-120 in-lbs		1	-	2/0 - #14	35-120 in-lbs	4	OLS2972AZXDIN

Note: AL = Aluminum / CU = Copper

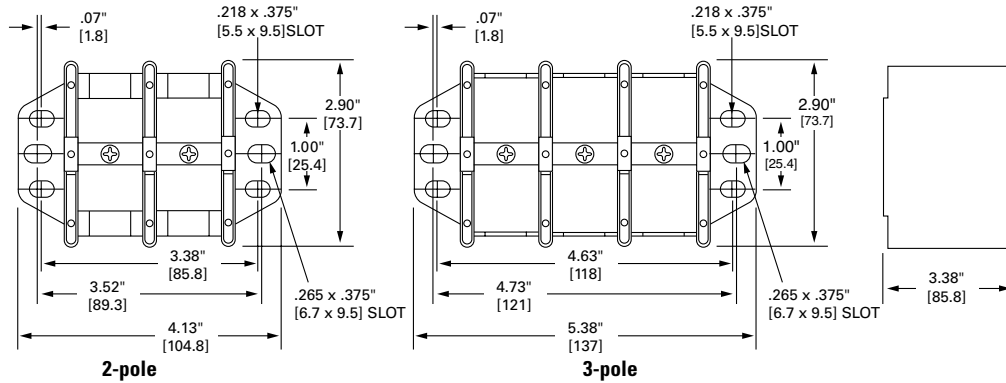
POWR-BLOKS™

Distribution Block and Splicer Block Outline Drawings

Dimensions Inches (mm)

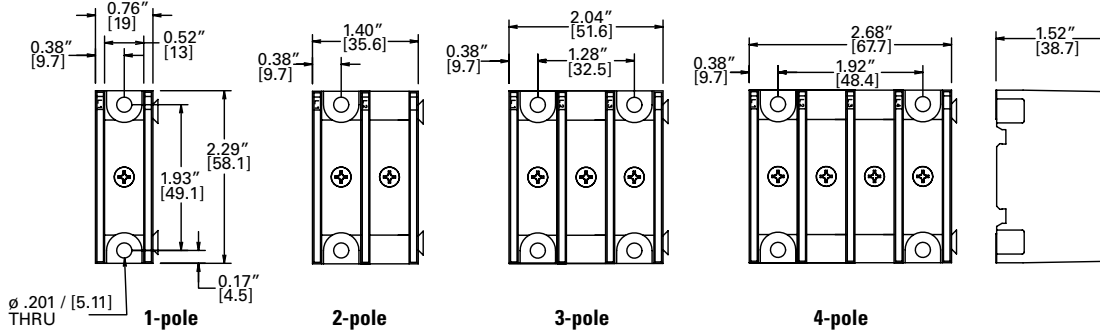
LX0XXX

Figure 1



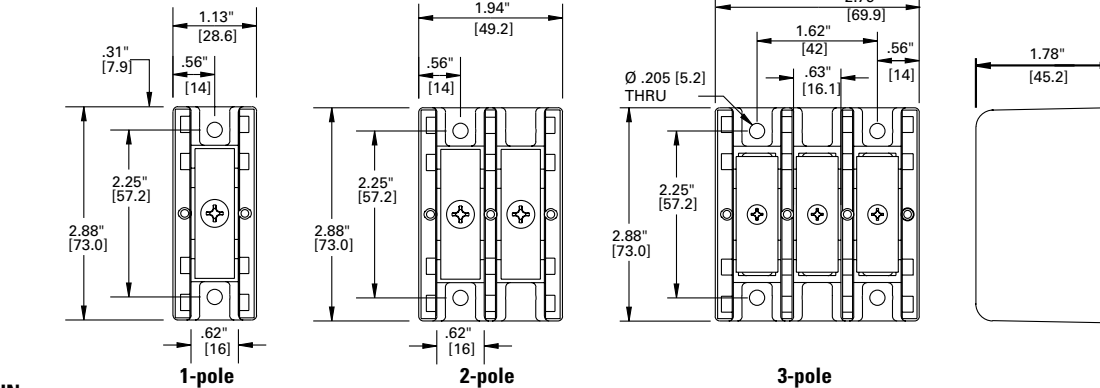
LX1XXX

Figure 2



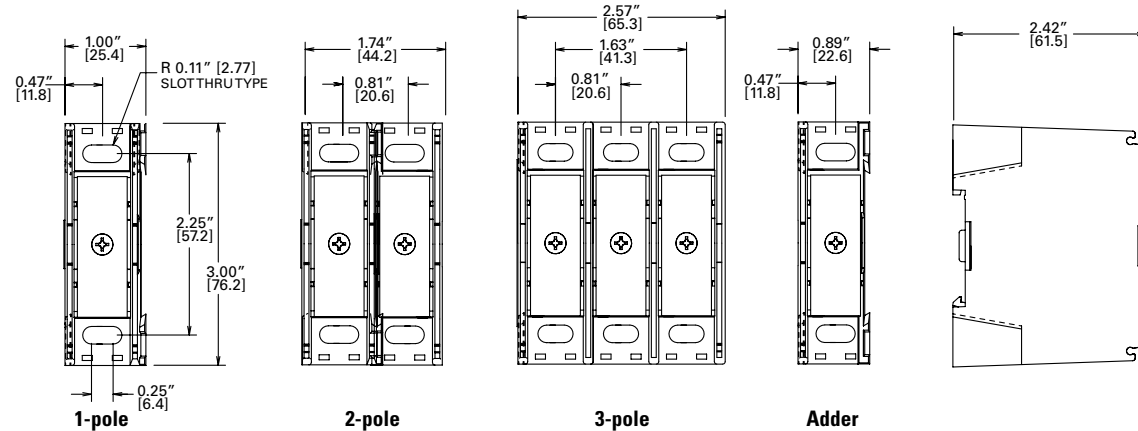
LX2XXX

Figure 3



LX2XXX-XDIN

Figure 4

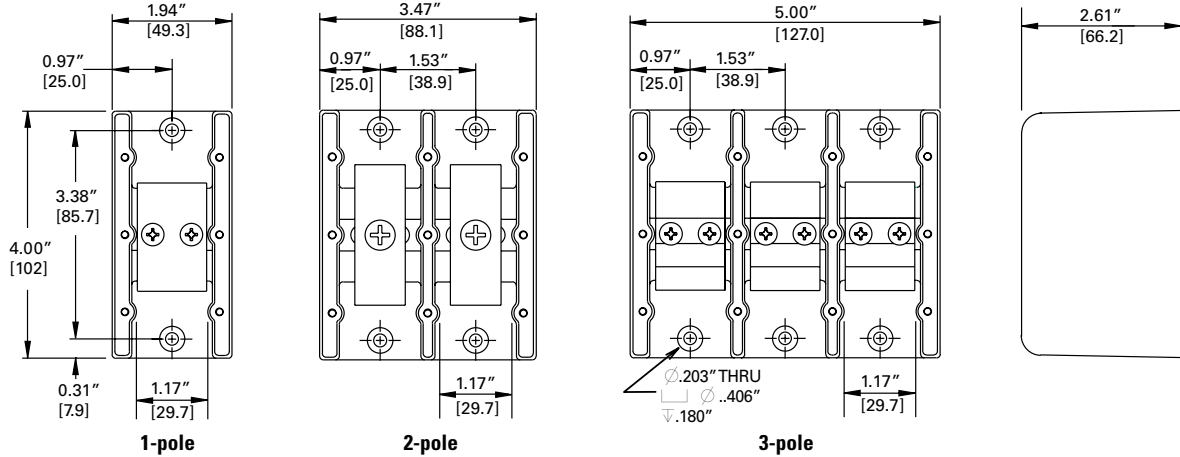


POWR-BLOKS™

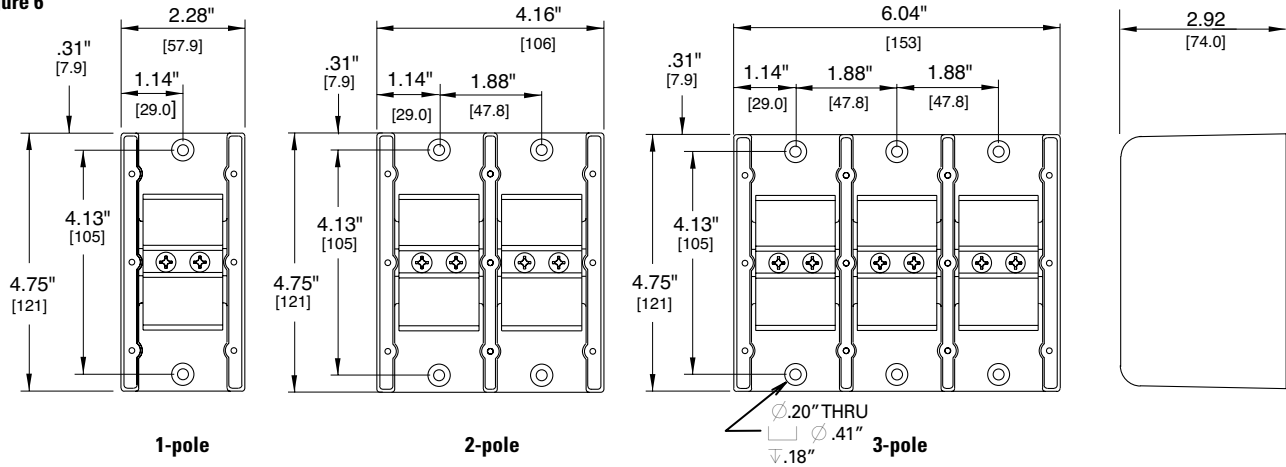
Distribution Block and Splicer Block Outline Drawings

Dimensions Inches (mm)

LX3XXX
Figure 5



LX4XXX
Figure 6



LX5XXX
Figure 7

