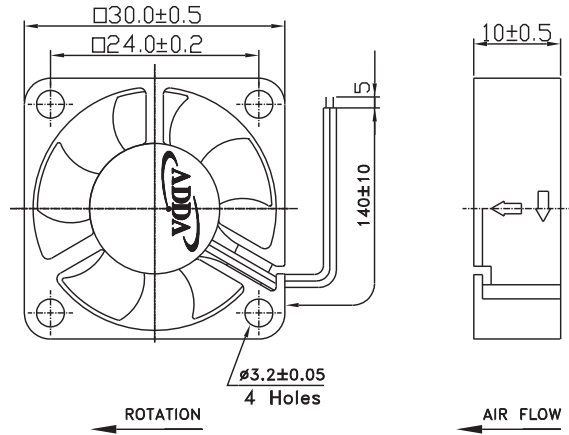
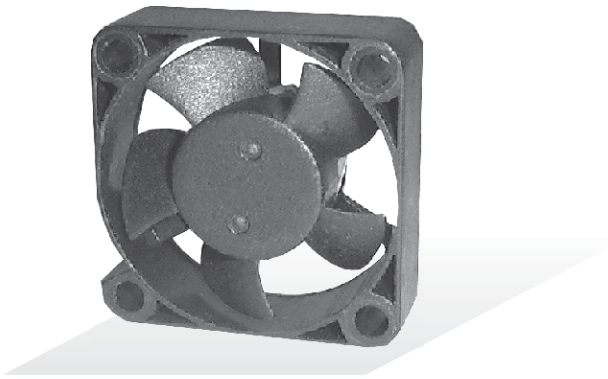


External Dimensions



Frame:Plastic(UL:94V-0)
 Impeller:Plastic(UL:94V-0)
 Lead wire:UL1571AWG28

Specifications(Nominal)

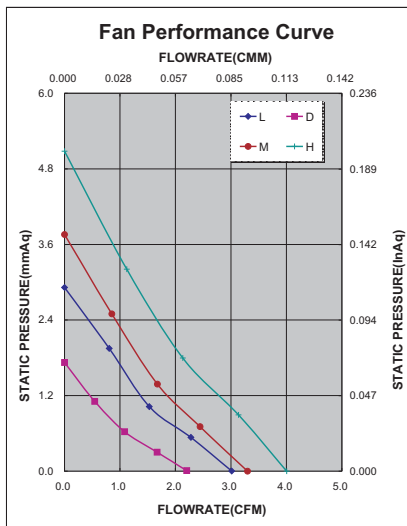
*:Noise is measured at the distance of one (1) meter from the axis of intake.

Bearing type: ⊙=Ball ⊖=1B1S ●=Hypro bearing

| Frame size (mm) | Model No. | Bearing System Type | Rated Voltage (VDC) | Current (A) | Power (W) | Rated Speed (rpm) | Maximum AirFlow (CMM) | Maximum AirFlow (CFM) | Maximum Pressure (InAq) | Maximum Pressure (mmAq) | *Noise Level (dB/A) | Weight (g) |
|-----------------|-----------------|---------------------|---------------------|-------------|-----------|-------------------|-----------------------|-----------------------|-------------------------|-------------------------|---------------------|------------|
| 30x30x10 | AD0305DB-G50(T) | ⊙ ● | 5 | 0.050 | 0.250 | 6000 | 0.056 | 2.000 | 0.060 | 1.524 | 19.0 | 8.0 |
| | AD0305LB-G50(T) | ⊙ ● | 5 | 0.070 | 0.350 | 8000 | 0.084 | 3.000 | 0.115 | 2.921 | 26.0 | |
| | AD0305MB-G50(T) | ⊙ ● | 5 | 0.102 | 0.510 | 9000 | 0.093 | 3.300 | 0.148 | 3.759 | 30.0 | |
| | AD0305HB-G50(T) | ⊙ ● | 5 | 0.110 | 0.550 | 10500 | 0.113 | 4.000 | 0.200 | 5.080 | 34.0 | |
| | AD0312DB-G50(T) | ⊙ ● | 12 | 0.040 | 0.480 | 6000 | 0.056 | 2.000 | 0.060 | 1.524 | 19.0 | |
| | AD0312LB-G50(T) | ⊙ ● | 12 | 0.050 | 0.600 | 8000 | 0.084 | 3.000 | 0.115 | 2.921 | 26.0 | |
| | AD0312MB-G50(T) | ⊙ ● | 12 | 0.060 | 0.720 | 9000 | 0.093 | 3.300 | 0.148 | 3.759 | 30.0 | |
| | AD0312HB-G50(T) | ⊙ ● | 12 | 0.070 | 0.840 | 10500 | 0.113 | 4.000 | 0.200 | 5.080 | 34.0 | |

Specifications subject to change without notice.

The specification for bearing type is for reference only , for more bearing types information, please contact with your ADDA sales representative, thanks!!
 (網頁上呈現產品軸承資訊均以2Ball為主，若需其他產品資訊請聯絡您在ADDA的業務代表，謝謝!!)



*Motor protective circuit and third lead wire functions

| | | | | | | | | | | |
|---|---|---|---|---|---|---|---|---|---|---|
| 0 | 1 | 2 | 3 | 4 | 6 | 7 | 8 | 9 | A | B |
| ✓ | ✓ | | ✓ | | ✓ | | | | | |

*Safety approvals

| | | | | |
|---|---|--|---|---|
| | | | | |
| ✓ | ✓ | | ✓ | ✓ |