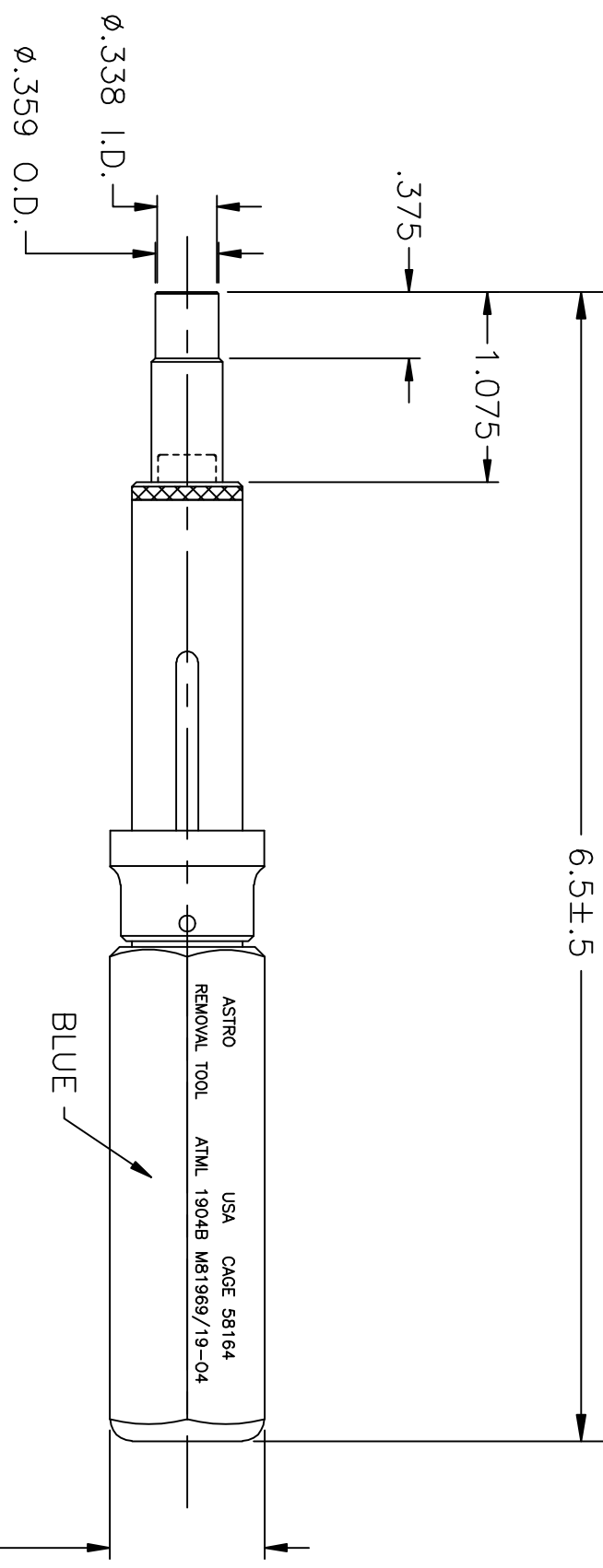


#ATML 1904B-ENV



**UNCONTROLLED DOCUMENT**  
**WILL NOT BE UPDATED**

NOTES: 1. THIS IS AN AUTOCAD DRAWING, DO NOT CHANGE MANUALLY.  
 2. COLOR CODE: BLUE.

REV.	DESCRIPTION	BY	DATE	APP.	SCALE:	UNLESS OTHERWISE SPECIFIED:	DESCRIPTION:
A	NEW RELEASE.	DY0	08-28-09	MMK	N.T.S.	.XXX ± .005 .XX ± .010 .X ± .030 ANGLES: ± 1°	21615 S.W. TUALATIN VALLEY HWY., BEAVERTON OR 97006 ASTRO TOOL CORP.
					DWN BY: DY0		ENVELOPE DRAWING: ATML 1904B REM TOOL, 4 GAGE, M81969/19-04
					DATE: 08-28-09		PART NO. A ATML 1904B-ENV
					APPROVED:		

THESE DRAWINGS, SPECIFICATIONS OR OTHER DATA ARE AND REMAIN THE PROPERTY OF ASTRO TOOL CORP. AND MUST BE RETURNED UPON REQUEST. THEY CONTAIN INFORMATION OWNED AND/OR DEVELOPED BY ASTRO AT ITS OWN PRIVATE EXPENSE AND MAY NOT BE USED, DUPLICATED OR DISCLOSED TO OTHERS, IN WHOLE OR IN PART FOR DESIGN, MANUFACTURE OR PROCUREMENT WITHOUT THE WRITTEN PERMISSION OF ASTRO TOOL CORP. EACH AND EVERY TIME.

ASTRO  
REMOVAL TOOL  
ATML 1904B  
M81969/19-04  
USA  
CAGE 58164

CAGE 58164