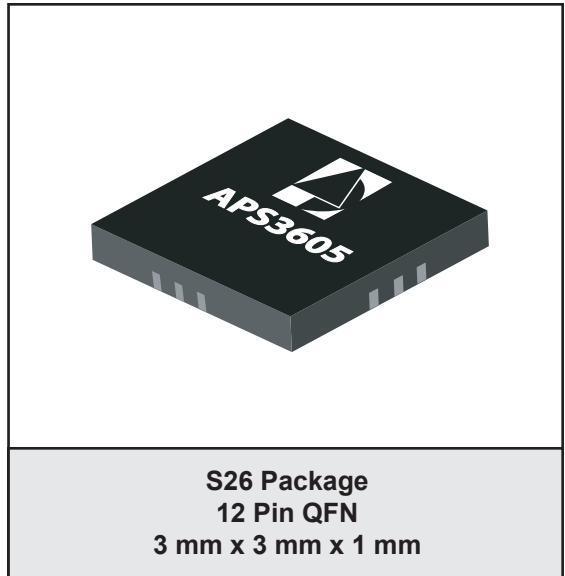


**FEATURES**

- Single Input, Triple Output Design
- Wideband Operation Beyond 1 GHz
- Supports both Analog TV and Digital TV Lineups
- Nominal 3 dB Gain
- 5.5 dB Typical Noise Figure
- Single +5 V Supply, with Operation Down to +3.3 V
- High Linearity, Low Distortion
- Current Adjust Pin for optimizing distortion performance
- Single-Ended 75 Ohm Inputs/Outputs
- RoHS Compliant Package

**APPLICATIONS**

- Analog/Digital and All-Digital CATV Set-Top Boxes with Multiple Tuners
- Multiple-Tuner TVs, TV Tuner Cards and Broadband Media Centers

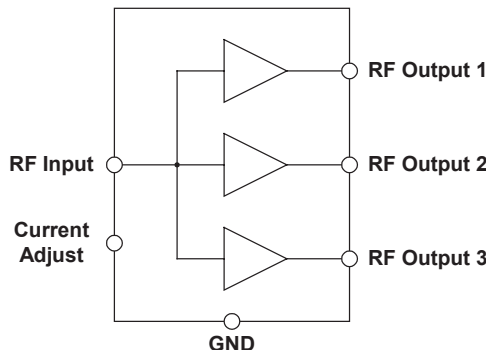


**PRODUCT DESCRIPTION**

This APS3605 active splitter from ANADIGICS accepts a broadband RF input from 50 MHz to 1 GHz and splits the signal to provide three broadband RF outputs with minimal degradation of quality. The single-package surface mount device amplifies the input using highly linear, low noise amplification stages, and couples the amplified signal to three separate output paths that each can drive either analog video, digital video or digital data tuners. The overall linearity of each path is maintained across the entire operating frequency

range, ensuring low distortion effects on each output signal.

Requiring a single voltage supply of +5 V, and operable down to +3.3 V, the active splitter is manufactured using ANADIGICS' highly reliable GaAs MESFET process. The small surface mount QFN packaging makes this device ideal for use in today's set-top boxes, televisions and video tuner cards requiring multiple-tuner solutions.



**Figure 1: Functional Block Diagram**

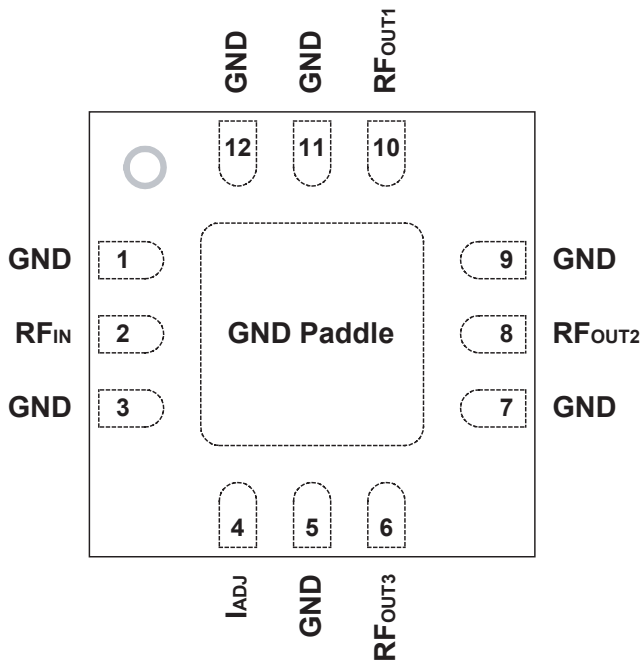


Figure 2: Pinout (X-ray Top View)

Table 1: Pin Description

PIN	NAME	DESCRIPTION
1	GND	Ground
2	RF <sub>IN</sub>	RF Input
3	GND	Ground
4	I <sub>ADJ</sub>	Current Adjust
5	GND	Ground
6	RF <sub>OUT3</sub>	RF Output 3
7	GND	Ground
8	RF <sub>OUT2</sub>	RF Output 2
9	GND	Ground
10	RF <sub>OUT1</sub>	RF Output 1
11	GND	Ground
12	GND	Ground

## ELECTRICAL CHARACTERISTICS

Table 2: Absolute Minimum and Maximum Ratings

PARAMETER	MIN	MAX	UNIT	COMMENTS
Supply Voltage ( $V_{CC}$ )	0	+8	V	
RF Input Power	-	+25	dBmV	per channel
ESD Rating	500 1000	- -	V	Human Body Model, Class 1B Charged Device Model, Class 3
MSL Level	MSL-1			

Stresses in excess of the absolute ratings may cause permanent damage. Functional operation is not implied under these conditions. Exposure to absolute ratings for extended periods of time may adversely affect reliability.

Table 3: Operating Ranges

PARAMETER	MIN	TYP	MAX	UNIT	COMMENTS
Operating Frequency (f)	50	-	1000	MHz	
Supply Voltage ( $V_{CC}$ )	+3.3	-	+5	V	
RF Input Power ( $P_{IN}$ )	-	-	+18	dBmV	per channel
Case Temperature ( $T_C$ )	-5	-	+85	°C	no damage to device operating over -30 to +95 °C range

The device may be operated safely over these conditions; however, parametric performance is guaranteed only over the conditions defined in the electrical specifications.

**Table 4: Electrical Specifications for Digital TV**  
 (T<sub>AMB</sub> = +25 °C, V<sub>CC</sub> = +5 V, I<sub>CC</sub> = 100 mA, 75 Ω system, ref. Figure 12)

PARAMETER	MIN	TYP	MAX	UNIT	COMMENTS
Gain at 100 MHz	2.0	2.7	-	dB	
Noise Figure	-	5.6	-	dB	
CTB <sup>(1)</sup>	-	-77	-66	dBc	
CSO <sup>(1)</sup>	-	-64	-58	dBc	
XMOD <sup>(1)</sup>	-	-66	-	dBc	
RF Isolation Input-Output Output-Output	- - -	21 25	- -	dB	
Input Return Loss	-	-9	-	dB	
Current Consumption (I <sub>CC</sub> )	75	100	130	mA	

Notes:

(1) 132 channels, +15 dBmV input per channel.

**Table 5: Electrical Specifications for Analog TV**  
 (T<sub>AMB</sub> = +25 °C, V<sub>CC</sub> = +5 V, I<sub>CC</sub> = 135 mA, 75 Ω system, ref. Figure 13)

PARAMETER	MIN	TYP	MAX	UNIT	COMMENTS
Gain at 100 MHz	-	2.8	-	dB	
Noise Figure	-	5.4	-	dB	
CTB <sup>(1)</sup>	-	-81	-	dBc	
CSO <sup>(1)</sup>	-	-67	-	dBc	
XMOD <sup>(1)</sup>	-	-76	-	dBc	
RF Isolation Input-Output Output-Output	- - -	21 25	- -	dB	
Input Return Loss	-	-9	-	dB	
Current Consumption (I <sub>CC</sub> )	-	135	-	mA	

The Analog TV electrical specifications are provided for reference only. ANADIGICS does not perform a production screen for, and therefore does not guarantee, such performance.

Notes:

(1) 132 channels, +15 dBmV input per channel.

PERFORMANCE DATA

Figure 3: Gain (S21) vs. Frequency  
(T<sub>AMB</sub> = +25 °C, V<sub>CC</sub> = +5 V)

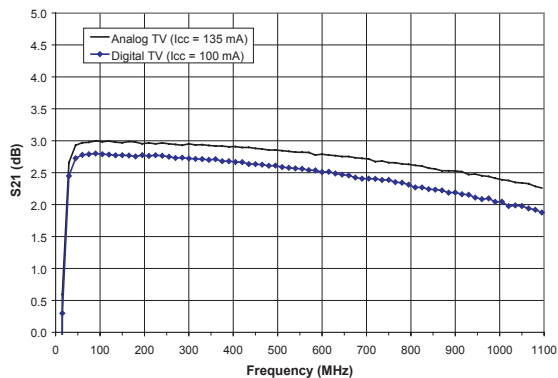


Figure 4: Input Return Loss (S11) vs. Frequency  
(T<sub>AMB</sub> = +25 °C, V<sub>CC</sub> = +5 V)

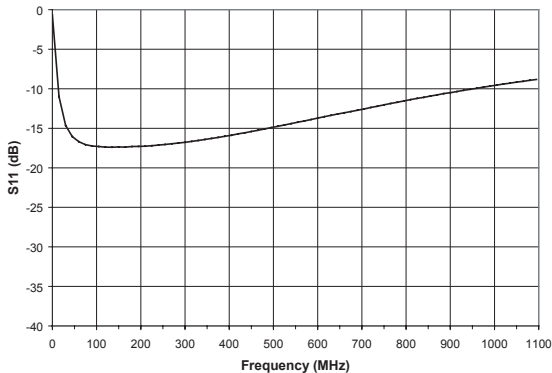


Figure 5: Reverse Isolation (S12) vs. Frequency  
(T<sub>AMB</sub> = +25 °C, V<sub>CC</sub> = +5 V)

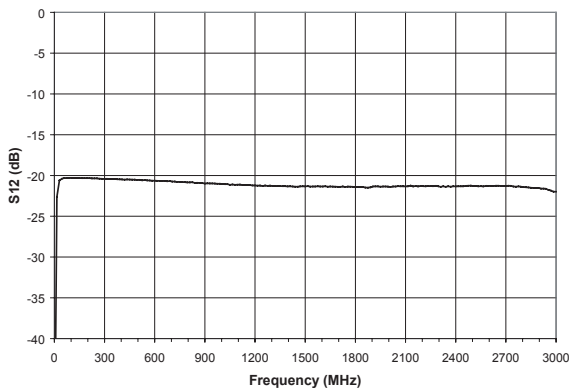


Figure 6: Output Return Loss (S22) vs. Frequency  
(T<sub>AMB</sub> = +25 °C, V<sub>CC</sub> = +5 V)

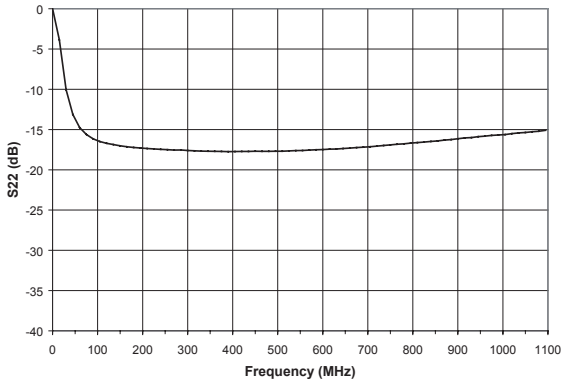


Figure 7: Noise Figure vs. Frequency  
(T<sub>AMB</sub> = +25 °C, V<sub>CC</sub> = +5 V)

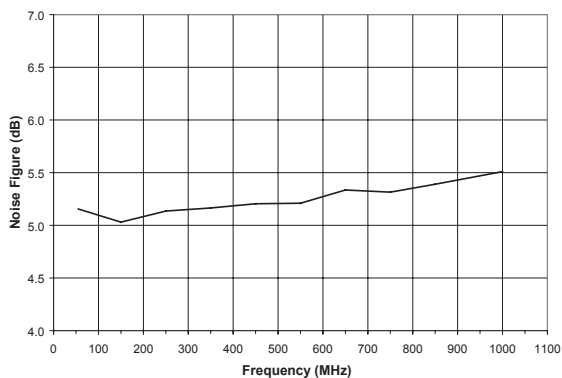
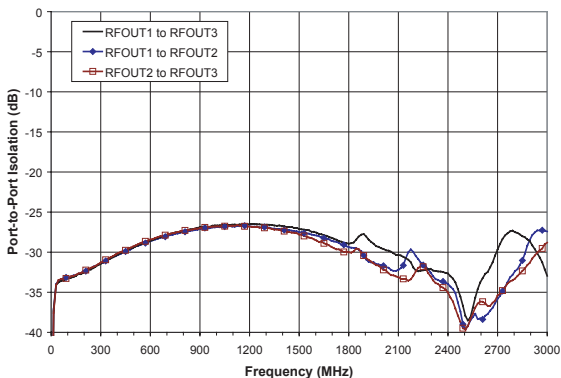
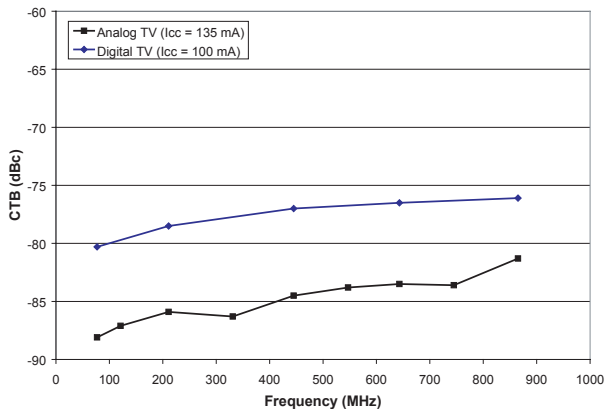


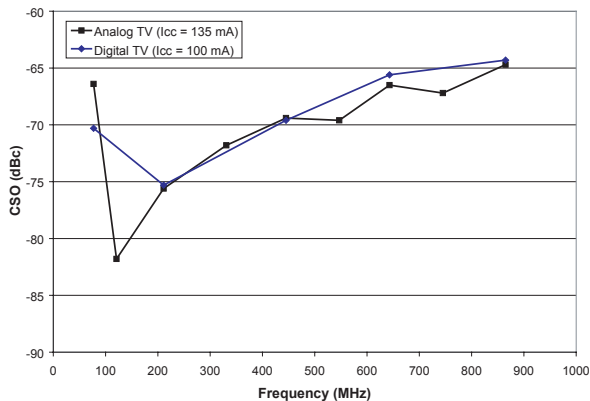
Figure 8: Port-to-Port Isolation vs. Frequency  
(T<sub>AMB</sub> = +25 °C, V<sub>CC</sub> = +5 V)



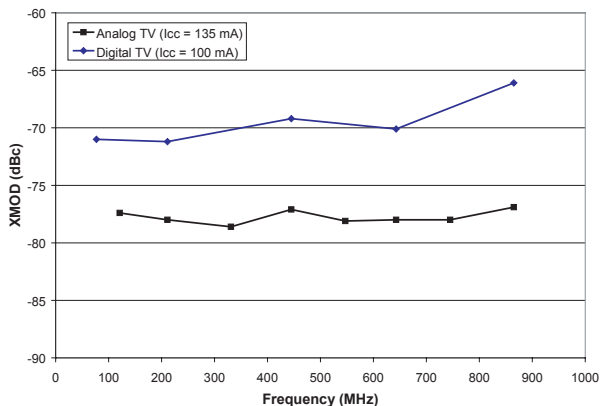
**Figure 9: CTB vs. Frequency**  
 ( $T_{AMB} = +25\text{ }^{\circ}\text{C}$ ,  $V_{CC} = +5\text{ V}$ , 132 Channels, +15 dBmV Input per Channel)



**Figure 10: CSO vs. Frequency**  
 ( $T_{AMB} = +25\text{ }^{\circ}\text{C}$ ,  $V_{CC} = +5\text{ V}$ , 132 Channels, +15 dBmV Input per Channel)



**Figure 11: XMOD vs. Frequency**  
 ( $T_{AMB} = +25\text{ }^{\circ}\text{C}$ ,  $V_{CC} = +5\text{ V}$ , 132 Channels, +15 dBmV Input per Channel)



APPLICATION INFORMATION

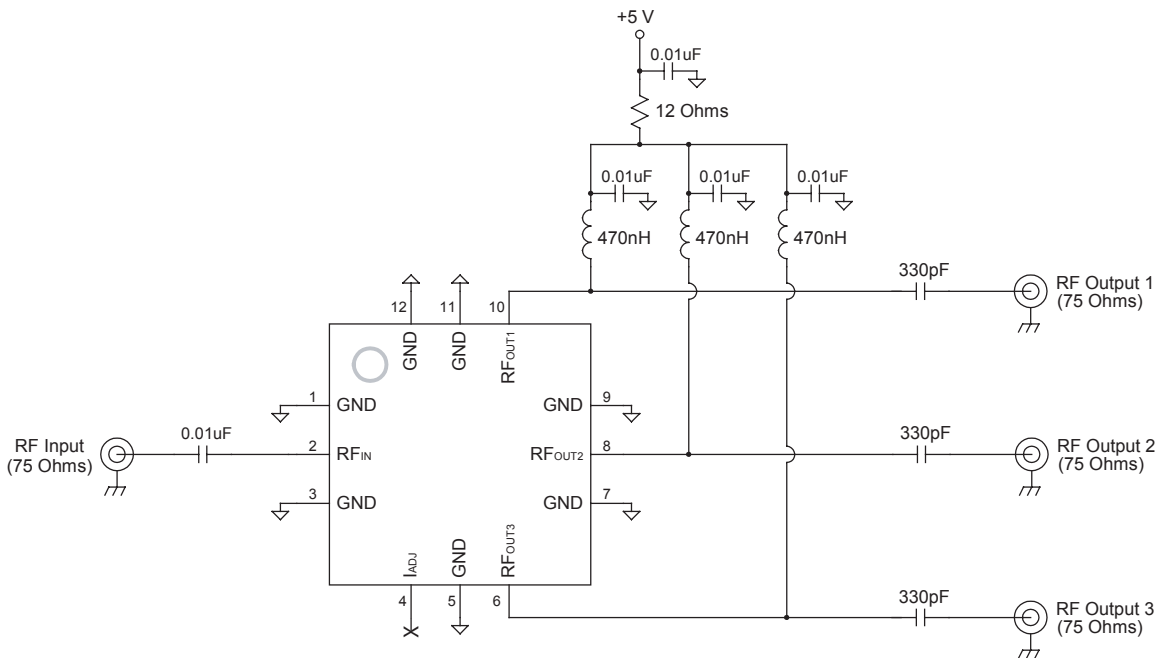


Figure 12: Digital TV Application Circuit

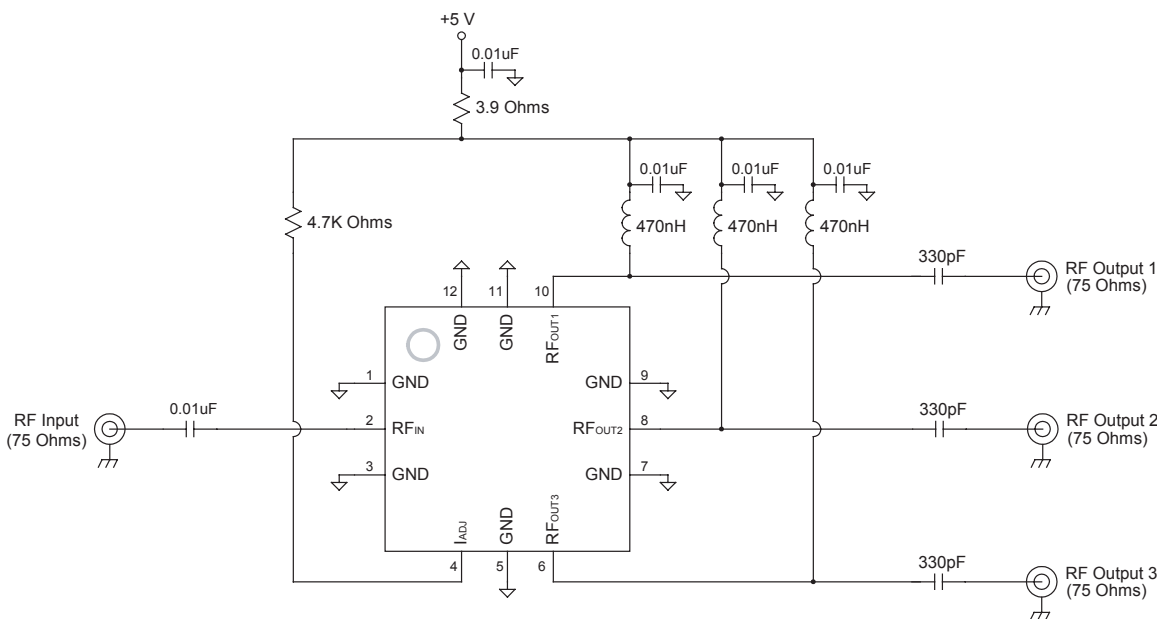
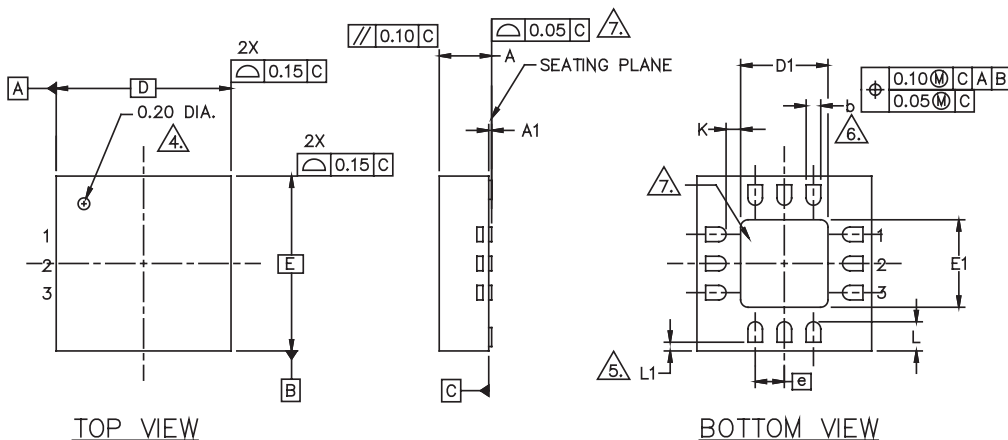
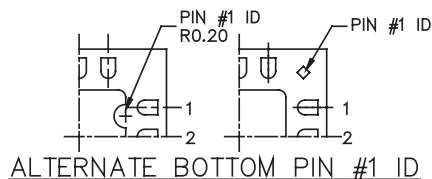


Figure 13: Analog TV Application Circuit

The APS3605 remains functional with a supply voltage as low as +3.3 V. Please contact an ANADIGICS sales representative for information regarding electrical performance at lower supply voltages.

PACKAGE OUTLINE



NOTES :

1. ALL DIMENSIONS ARE IN MILLIMETERS.
  2. MAX. PACKAGE WARPAGE IS 0.05 mm.
  3. MAXIMUM ALLOWABLE BURRS IS 0.076 mm IN ALL DIRECTIONS.
4. PIN #1 ID ON TOP WILL BE LASER MARKED.
5. A MAXIMUM 0.15mm PULL BACK (L1) MAYBE PRESENT. L MINUS L1 TO BE EQUAL TO OR GREATER THAN 0.30mm.
6. DIMENSION b APPLIES TO METALLIZED TERMINAL AND IS MEASURED BETWEEN 0.15 AND 0.30mm FROM TERMINAL TIP. IF THE TERMINAL HAS THE OPTIONAL RADIUS ON THE OTHER END OF THE TERMINAL, THE DIMENSION b SHOULD NOT BE MEASURED IN THAT RADIUS AREA.
7. BILATERAL COPLANARITY ZONE APPLIES TO THE EXPOSED HEAT SINK SLUG AS WELL AS THE TERMINALS.
8. REFERENCE JEDEC OUTLINE MO-220.

S V g	DIMENSIONS—MM		N <sub>o</sub> T <sub>E</sub>	S V g	DIMENSIONS—INCHES		N <sub>o</sub> T <sub>E</sub>
	MIN.	MAX.			MIN.	MAX.	
A	0.80	1.00		A	0.031	0.039	
A1	0.00	0.05		A1	0.000	0.001	
b	0.18	0.30		b	0.007	0.011	
D	3.00 BSC			D	0.118 BSC		
D1	1.30	1.70		D1	0.051	0.067	
E	3.00 BSC			E	0.118 BSC		
E1	1.30	1.70		E1	0.051	0.067	
Ⓞ	0.50 BSC			Ⓞ	0.019 BSC		
K	0.20 MIN.			K	0.007 MIN.		
L	0.35	0.55		L	0.014	0.022	
L1		0.15 MAX.		L1		0.006 MAX.	

Figure 14: S26 Package Outline - 12 Pin 3 mm x 3 mm x 1 mm QFN



NOTES



NOTES

**ORDERING INFORMATION**

ORDER NUMBER	TEMPERATURE RANGE	PACKAGE DESCRIPTION	COMPONENT PACKAGING
APS3605RS26Q1	-5 °C to +85 °C	RoHS Compliant 12 Pin 3 mm x 3 mm x 1 mm QFN Package	Tape and Reel, 1000 pieces per Reel



**ANADIGICS, Inc.**

141 Mount Bethel Road  
Warren, New Jersey 07059, U.S.A.

Tel: +1 (908) 668-5000

Fax: +1 (908) 668-5132

URL: <http://www.anadigics.com>

E-mail: [Mktg@anadigics.com](mailto:Mktg@anadigics.com)

**IMPORTANT NOTICE**

ANADIGICS, Inc. reserves the right to make changes to its products or to discontinue any product at any time without notice. The product specifications contained in Advanced Product Information sheets and Preliminary Data Sheets are subject to change prior to a product's formal introduction. Information in Data Sheets have been carefully checked and are assumed to be reliable; however, ANADIGICS assumes no responsibilities for inaccuracies. ANADIGICS strongly urges customers to verify that the information they are using is current before placing orders.

**WARNING**

ANADIGICS products are not intended for use in life support appliances, devices or systems. Use of an ANADIGICS product in any such application without written consent is prohibited.