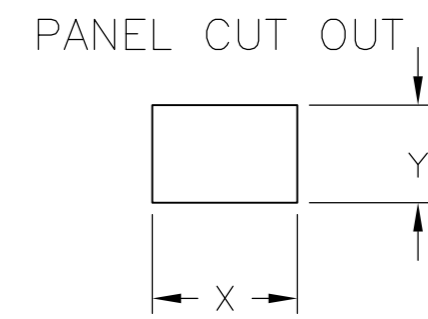
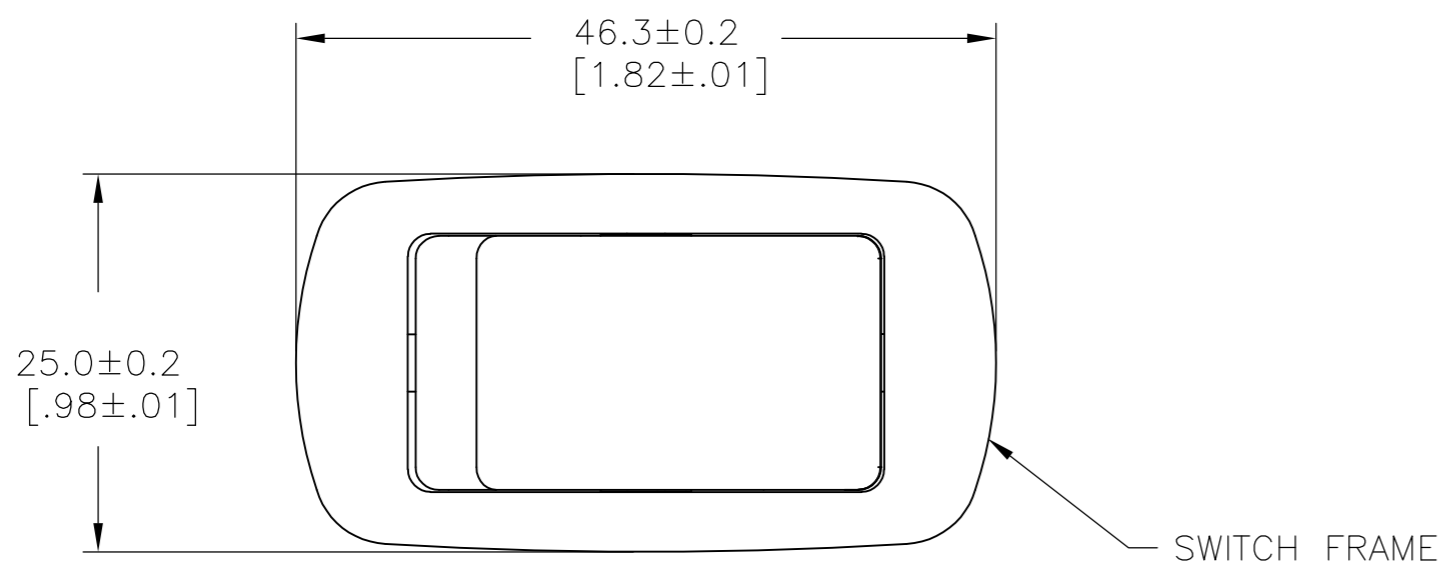
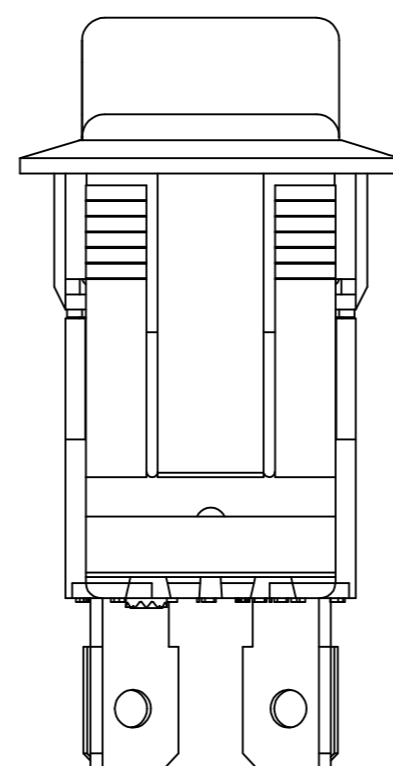
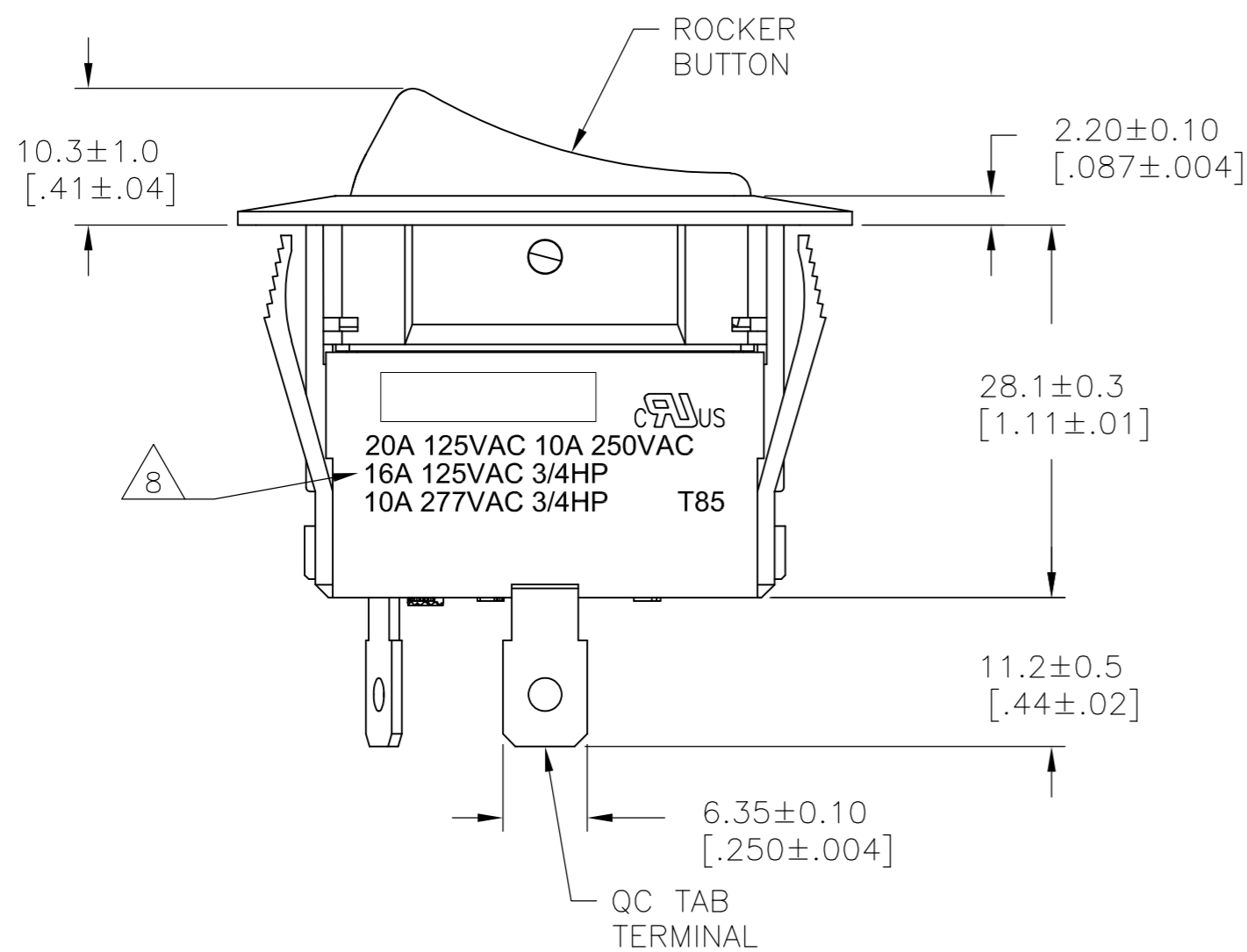


THIS DRAWING IS UNPUBLISHED. RELEASED FOR PUBLICATION  
 © COPYRIGHT - By - ALL RIGHTS RESERVED.

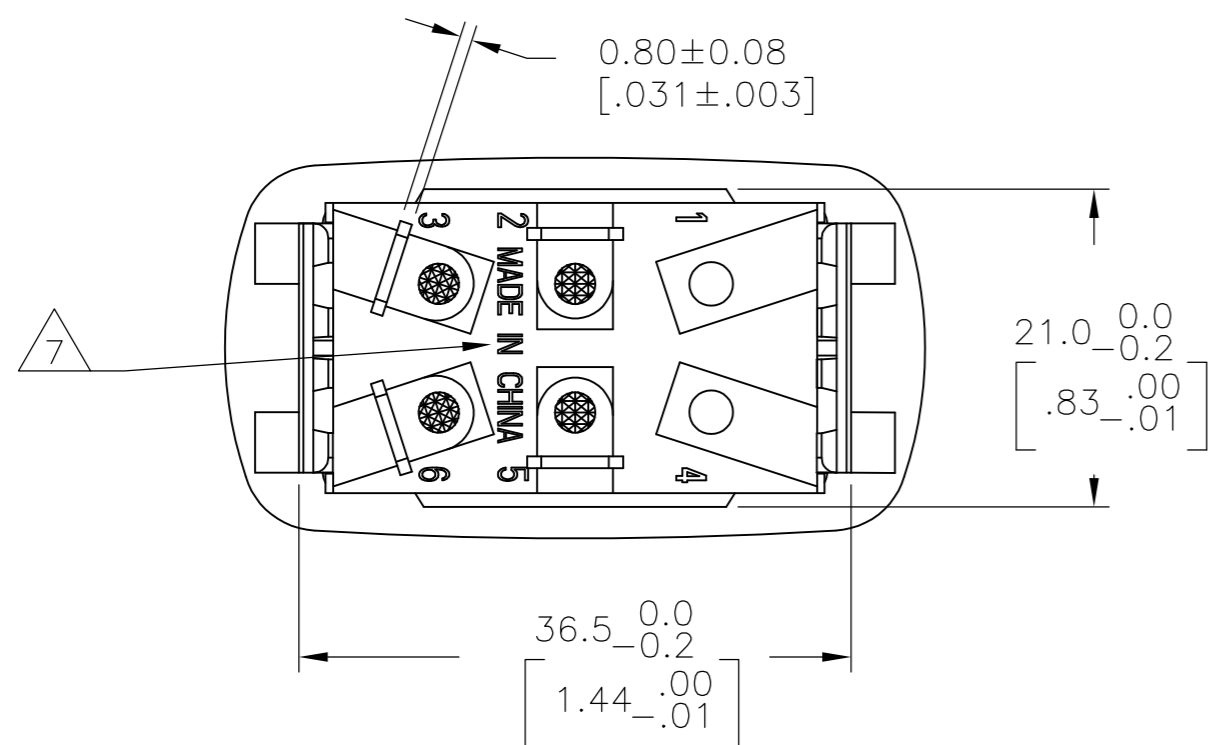
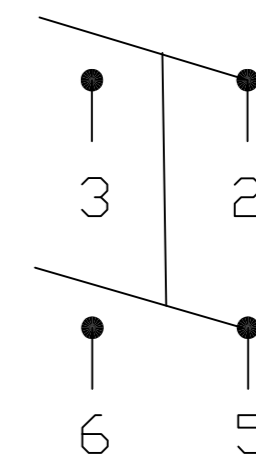
LOC		DIST		REVISIONS			
P	LTR	DESCRIPTION		DATE	DWN	APVD	
AD	00	D		REVISED PER ECO-14-016691	05NOV2014	NK	RH



2.00-3.00 [.079-.118]	21.2+0.1 [.835+.004]	37.0+0.2 [1.457+.008]
1.25-2.00 [.049-.079]	21.2+0.1 [.835+.004]	36.8+0.2 [1.449+.008]
.075-1.25 [.030-.049]	21.2+0.1 [.835+.004]	36.6+0.2 [1.441+.008]
PANEL THICKNESS	Y	X



SWITCH FUNCTION A1  
 CIRCUIT DIAGRAM



1571102-1  
 SHOWN

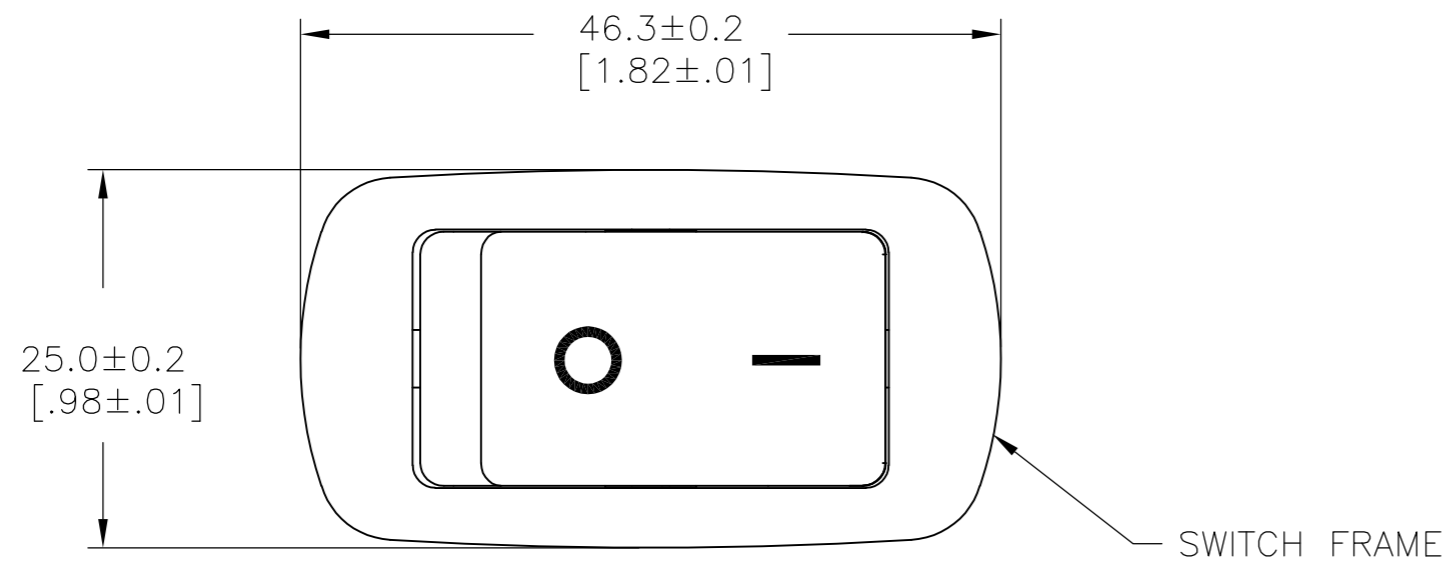
DIMENSIONS:		TOLERANCES UNLESS OTHERWISE SPECIFIED:		MATERIAL		FINISH	
mm	[INCHES]	0 PLC	± -	1	2	WEIGHT	SCALE
		1 PLC	± -				2:1
		2 PLC	± -				SHEET
		3 PLC	± -				1 of 4
		4 PLC	± -				REV
		ANGLES	± -				D

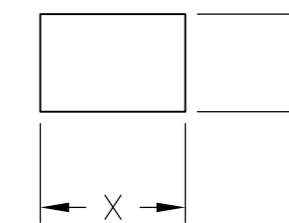
THIS DRAWING IS A CONTROLLED DOCUMENT.		DWN	25FEB2002	<b>TE</b> TE Connectivity	
		CHK	16NOV05		
		APVD	16NOV05	NAME	
		PRODUCT SPEC		POWER ROCKER SWITCH, 21.2mm X 36.6mm MIN	
		APPLICATION SPEC		PANEL CUT-OUT SIZE	
		WEIGHT	-	DOUBLE POLE, SINGLE THROW, NON-ILLUMINATED	
				SIZE	RESTRICTED TO
				A2	-
				CAGE CODE	
				00779	
				DRAWING NO	
				C=1571102	

THIS DRAWING IS UNPUBLISHED. RELEASED FOR PUBLICATION  
 © COPYRIGHT - By - ALL RIGHTS RESERVED.

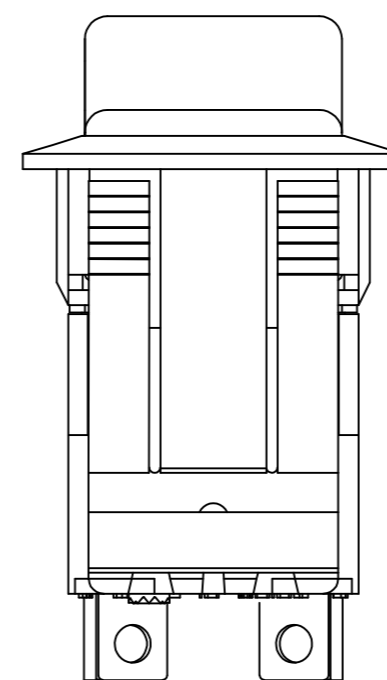
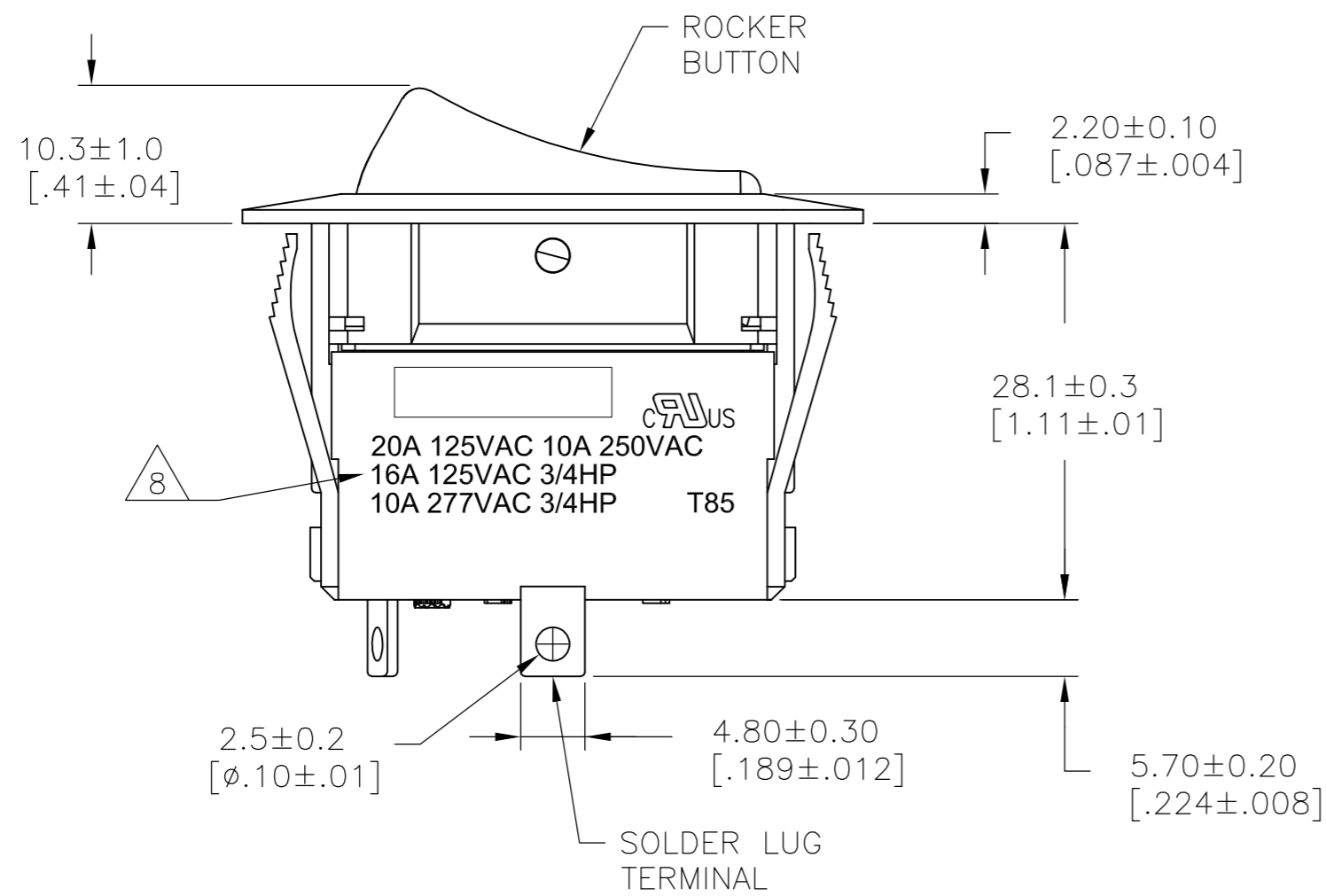
LOC	DIST	REVISIONS					
AD	00	P	LTR	DESCRIPTION	DATE	DWN	APVD
		-		SEE SHEET 1		-	-



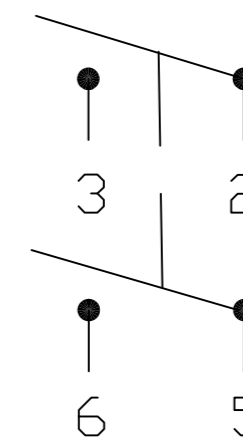
PANEL CUT OUT



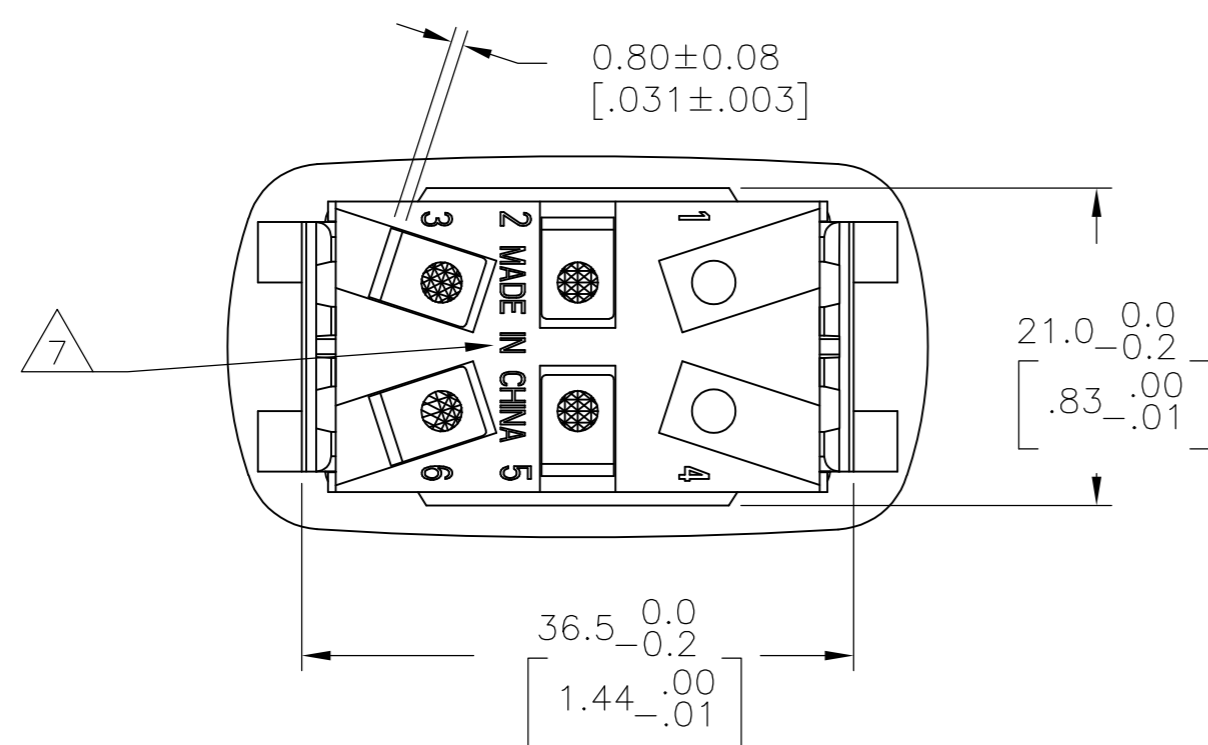
2.00-3.00 [.079-.118]	21.2+0.1 [.835+.004]	37.0+0.2 [1.457+.008]
1.25-2.00 [.049-.079]	21.2+0.1 [.835+.004]	36.8+0.2 [1.449+.008]
.075-1.25 [.030-.049]	21.2+0.1 [.835+.004]	36.6+0.2 [1.441+.008]
PANEL THICKNESS	Y	X



SWITCH FUNCTION A1  
 CIRCUIT DIAGRAM



1571102-5  
 SHOWN



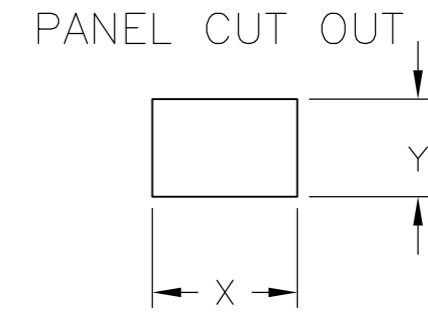
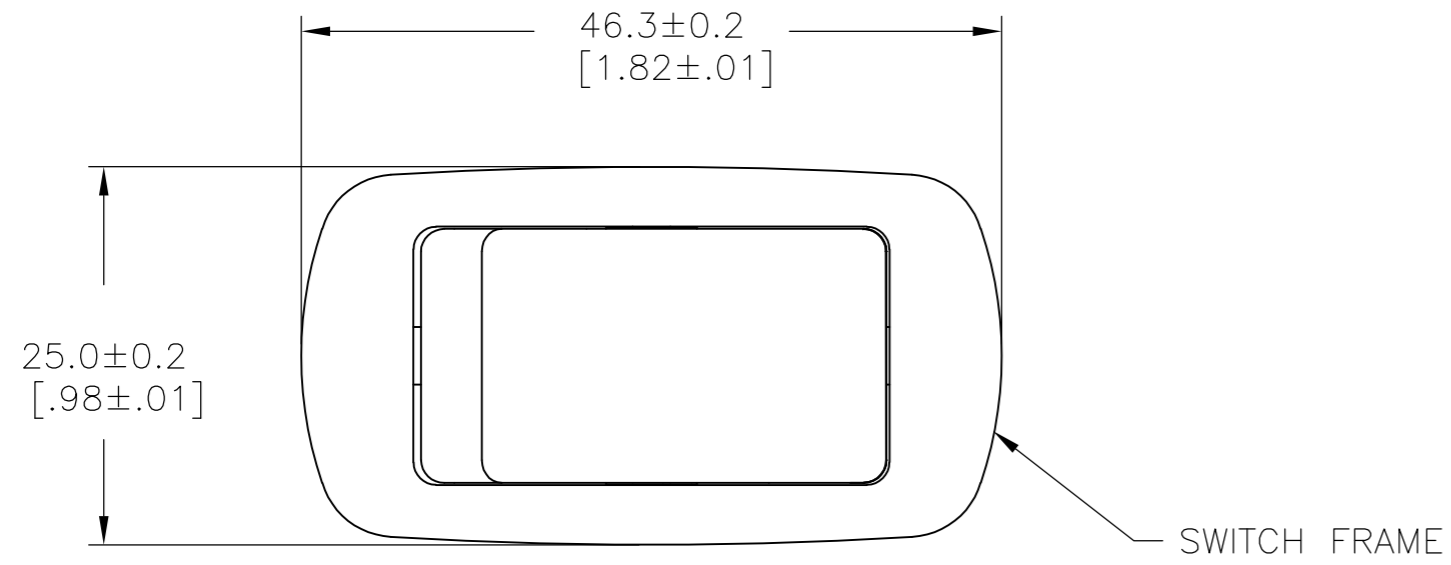
DIMENSIONS:		TOLERANCES UNLESS OTHERWISE SPECIFIED:		MATERIAL		FINISH	
mm	[INCHES]	0 PLC	± -	1	2	WEIGHT	SCALE
		1 PLC	± -				2:1
		2 PLC	± -				SHEET
		3 PLC	± -				2 OF 4
		4 PLC	± -				REV
		ANGLES	± -				D

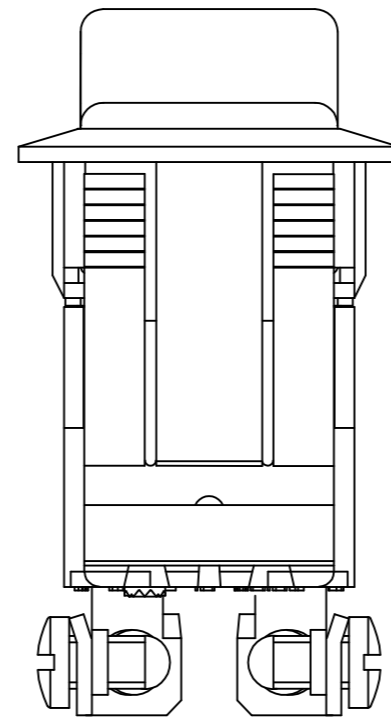
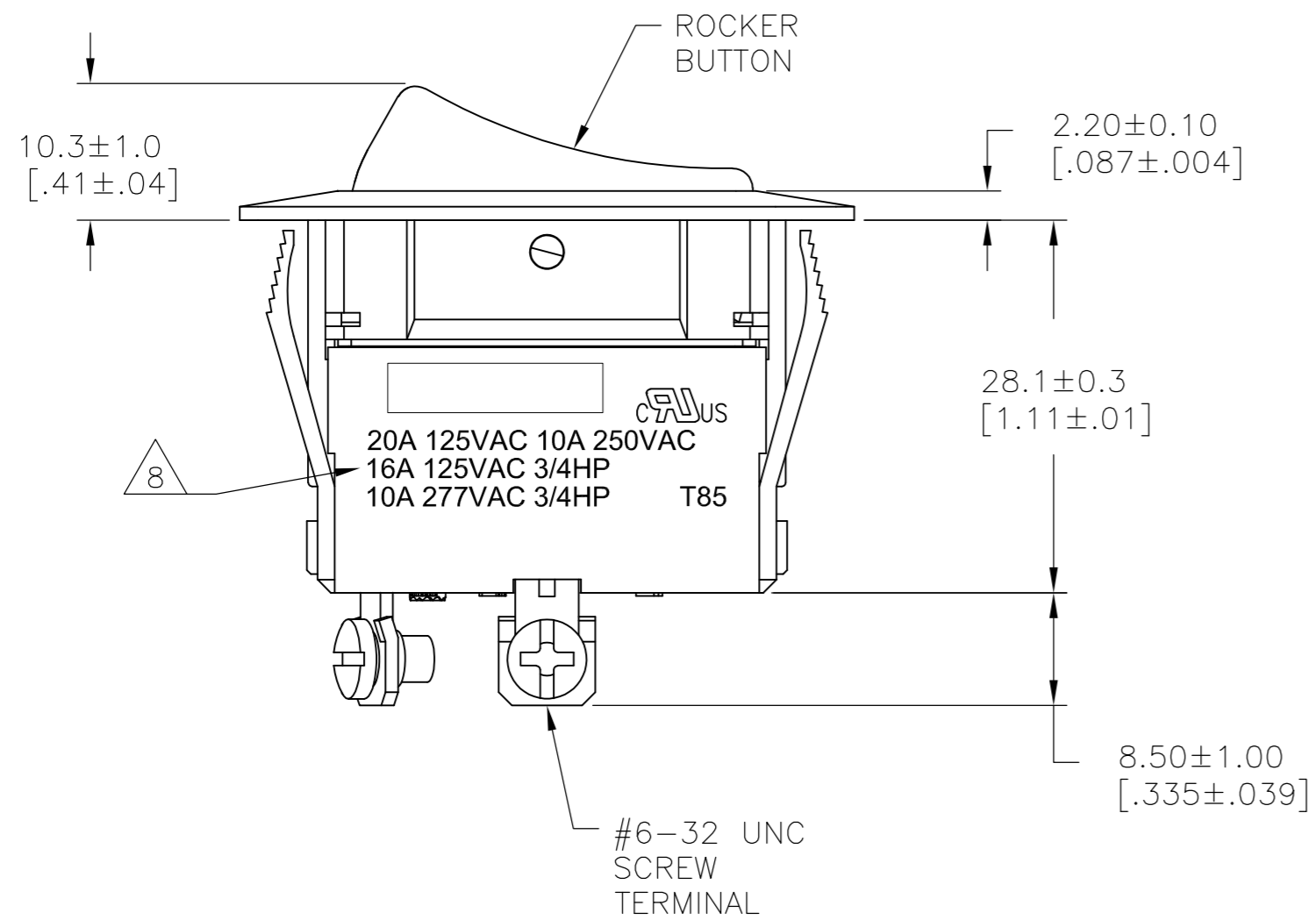
THIS DRAWING IS A CONTROLLED DOCUMENT.		DWN	M.BINNER	25FEB2002				
		CHK	D.ROHDE	16NOV05				
		APVD	D.ROHDE	16NOV05	<b>POWER ROCKER SWITCH, 21.2mm X 36.6mm MIN          PANEL CUT-OUT SIZE          DOUBLE POLE, SINGLE THROW, NON-ILLUMINATED</b>			
		PRODUCT SPEC						
		APPLICATION SPEC			SIZE	CAGE CODE	DRAWING NO	RESTRICTED TO
		WEIGHT	-		A2	00779	C=1571102	-
		CUSTOMER DRAWING		SCALE	2:1	SHEET	2 OF 4	REV

THIS DRAWING IS UNPUBLISHED. RELEASED FOR PUBLICATION  
 © COPYRIGHT - By - ALL RIGHTS RESERVED.

LOC	DIST	REVISIONS			
P	LTR	DESCRIPTION	DATE	DWN	APVD
AD	00	SEE SHEET 1	-	-	-

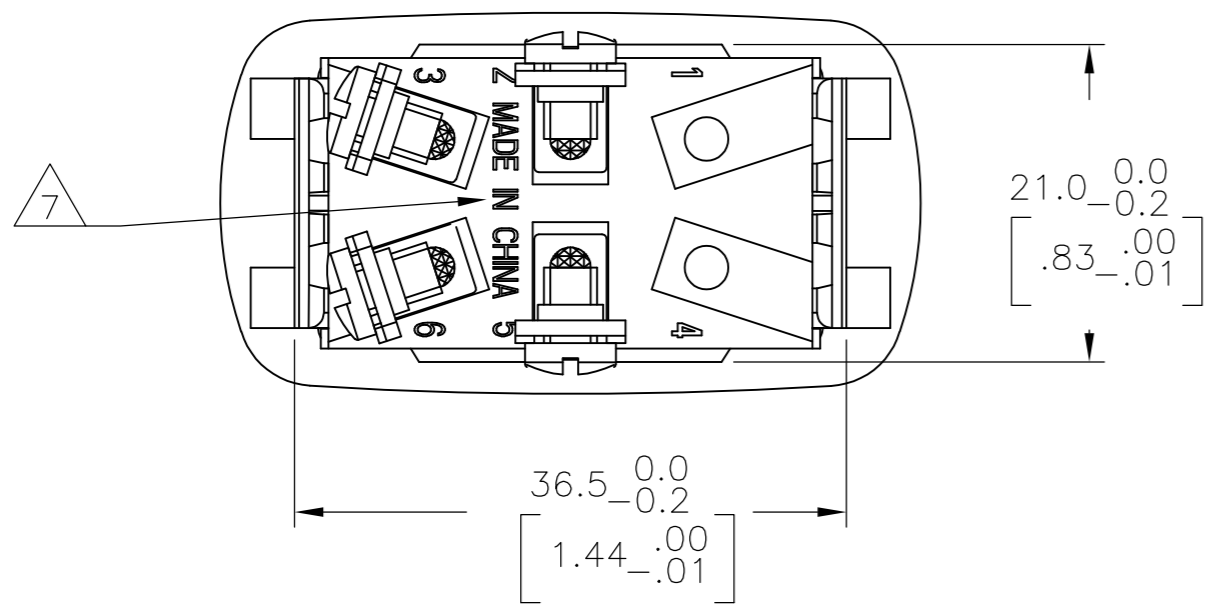
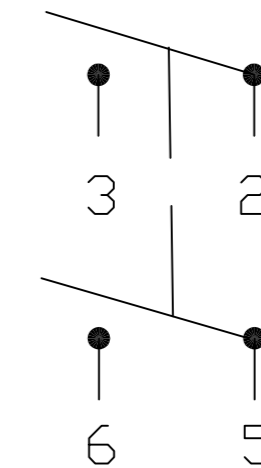


2.00-3.00 [.079-.118]	21.2+0.1 [.835+.004]	37.0+0.2 [1.457+.008]
1.25-2.00 [.049-.079]	21.2+0.1 [.835+.004]	36.8+0.2 [1.449+.008]
.075-1.25 [.030-.049]	21.2+0.1 [.835+.004]	36.6+0.2 [1.441+.008]
PANEL THICKNESS	Y	X



1571102-9  
 SHOWN

SWITCH FUNCTION A1  
 CIRCUIT DIAGRAM



DIMENSIONS:		TOLERANCES UNLESS OTHERWISE SPECIFIED:		MATERIAL		FINISH	
mm	[INCHES]	0 PLC	± -	1	2	WEIGHT	SCALE
		1 PLC	± -				2:1
		2 PLC	± -				SHEET
		3 PLC	± -				3 of 4
		4 PLC	± -				REV
		ANGLES	± -				D
		FINISH					

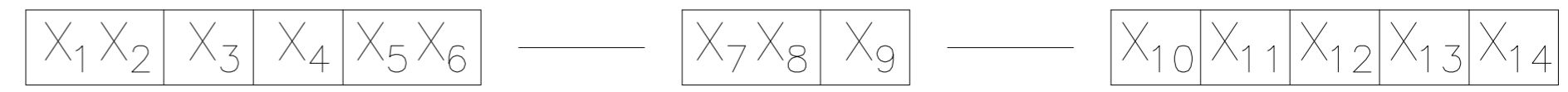
  

THIS DRAWING IS A CONTROLLED DOCUMENT.		DWN	25FEB2002	TE Connectivity	
		CHK	16NOV05		
		APVD	16NOV05		
		PRODUCT SPEC		NAME	
		APPLICATION SPEC		POWER ROCKER SWITCH, 21.2mm X 36.6mm MIN	
		WEIGHT	-	PANEL CUT-OUT SIZE	
				DOUBLE POLE, SINGLE THROW, NON-ILLUMINATED	
				SIZE	RESTRICTED TO
				A2	-
				CAGE CODE	
				00779	
				DRAWING NO	
				C=1571102	

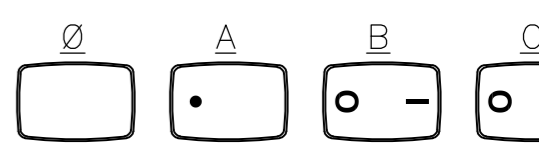
THIS DRAWING IS UNPUBLISHED. RELEASED FOR PUBLICATION  
 © COPYRIGHT - By - ALL RIGHTS RESERVED.

LOC	DIST	REVISIONS			
P	LTR	DESCRIPTION	DATE	DWN	APVD
AD	00	-	SEE SHEET 1	-	-

ALCOSWITCH PART NUMBER



- 1. **MATERIALS:**  
 ROCKER BUTTON, FRAME & HOUSING: NYLON 66, UL 94 V-2.  
 PLUNGER: PHENOLIC  
 SEAL: SILICONE RUBBER  
 SCREW TERMINAL, ACTIVE CONTACTOR, CONTACTOR SUPPORT: COPPER ALLOY PER ASTM B152  
 QC & SOLDER TERMINAL: COPPER ALLOY PER ASTM B036  
 SPRING: STEEL WIRE  
 CONTACTS: SILVER-TIN OXIDE
- 2. **FINISH:**  
 CONTACTOR SUPPORT, ACTIVE CONTACTOR: 1.01µm [.000040] MIN SILVER  
 QC TERMINAL: 1.27µm [.000050] MIN NICKEL  
 SOLDER TERMINAL: 1.27µm [.000050] MIN TIN
- 3. **ELECTRICAL SPECIFICATIONS:**  
 CURRENT AND VOLTAGE: 6  
 CONTACT RESISTANCE (INITIAL): <50mΩ  
 DIELECTRIC STRENGTH (INITIAL): >1000 VAC, 1 MINUTE  
 INSULATION RESISTANCE (INITIAL): >100MΩ MIN (500VDC BETWEEN OPEN CONTACTS)  
 ELECTRICAL LIFE ENDURANCE: >6000 OPERATIONS, VOLTAGE DROP: <100mV  
 TEMPERATURE RISE AT TERMINALS: <30°C, 6000 OPERATIONS  
 (AMBIENT CONDITIONS: 25±2°C AND 65±5%R.H)
- 4. **MECHANICAL SPECIFICATIONS:**  
 ACTUATING FORCE: 1100g MIN, 1900g MAX  
 OPERATING LIFE ENDURANCE: >100,000 OPERATIONS  
 TERMINAL RETENTION FORCE: >9kg- SOLDER LUG  
 >9kg- QC TAB  
 >6.8kg- #6-32 UNC SCREW TERMINAL
- 5. **ENVIRONMENTAL SPECIFICATIONS:**  
 AMBIENT TEMPERATURE: -20°C TO +85°C  
 DEGREE OF PROTECTION: IP66
- 6. 20A 125VAC, 10A 250VAC/16A 125VAC, 3/4HP/ 10A 277VAC, 3/4HP
- 7. COUNTRY OF ORIGIN AND TERMINAL IDENTIFICATION NUMBERS MOLDED APPROXIMATELY AS SHOWN ON THE SWITCH HOUSING.
- 8. ELECTRICAL RATINGS, APPROVED AGENCY LOGOS AND THE TE CONNECTIVITY LOGO LASER MARKED APPROXIMATELY AS SHOWN ON THE SWITCH HOUSING.
- 9. COMPONENT RECOGNIZED TO US & CANADIAN STANDARDS, UL FILE NO. E46765.
- 10. ROHS 2002/95/EC COMPLIANT

- SWITCH TYPE: X1 X2 = PR - POWER ROCKER
- PANEL CUT OUT SIZE: X3 = C - 21.2x36.6 MIN [.835x1.441]
- NUMBER OF POLES: X4 = D - DOUBLE
- SWITCH FUNCTION: X5 X6 = A1 - ON-OFF, WITH OPAQUE, SINGLE-COLOR ROCKER BUTTON.
- CURRENT RATING: X7 X8 = 20 - 6
- TERMINAL TYPE: X9 = E - QC TAB  
L - SOLDER LUG  
S - #6-32 UNC SCREW
- FRAME COLOR: X10 = B - BLACK  
W - WHITE
- ROCKER COLOR: X11 = B - BLACK  
G - GREEN  
R - RED  
W - WHITE  
Y - YELLOW
- SECONDARY ROCKER COLOR: X12 = Ø - NOT APPLICABLE
- LEGEND TEXT PATTERN: X13 = 
- LEGEND TEXT COLOR: X14 = Ø - NOT APPLICABLE  
G - GREEN  
R - RED  
B - BLACK  
W - WHITE

3	PRCDA1-20S-BB0CW	1-1571102-1
3	PRCDA1-20S-BB0BW	1-1571102-0
3	PRCDA1-20S-BB000	1571102-9
2	PRCDA1-20L-BR000	1571102-8
1	PRCDA1-20F-BR000	1571102-7
2	PRCDA1-20L-BB0CW	1571102-6
2	PRCDA1-20L-BB0BW	1571102-5
2	PRCDA1-20L-BB000	1571102-4
1	PRCDA1-20F-BB0CW	1571102-3
1	PRCDA1-20F-BB0BW	1571102-2
1	PRCDA1-20F-BB000	1571102-1
SHEET REF	ALCOSWITCH PART NUMBER	TE PART NUMBER

THIS DRAWING IS A CONTROLLED DOCUMENT.		DWN M.BINNER 25FEB2002		
DIMENSIONS: mm [INCHES]		CHK D.ROHDE 16NOV05		
TOLERANCES UNLESS OTHERWISE SPECIFIED:		APVD D.ROHDE 16NOV05	NAME D.ROHDE	
0 PLC ± -		PRODUCT SPEC	POWER ROCKER SWITCH, 21.2mm X 36.6mm MIN	
1 PLC ± -		APPLICATION SPEC	PANEL CUT-OUT SIZE	
2 PLC ± -		WEIGHT	DOUBLE POLE, SINGLE THROW, NON-ILLUMINATED	
3 PLC ± -		SCALE	SIZE CAGE CODE DRAWING NO RESTRICTED TO	
4 PLC ± -		SCALE 2:1	A2 00779 C=1571102	
ANGLES ± -		SHEET 4 of 4	REV D	
FINISH		CUSTOMER DRAWING		

1571102