



Feature -

Multiple keys and poles interlock and individual lock

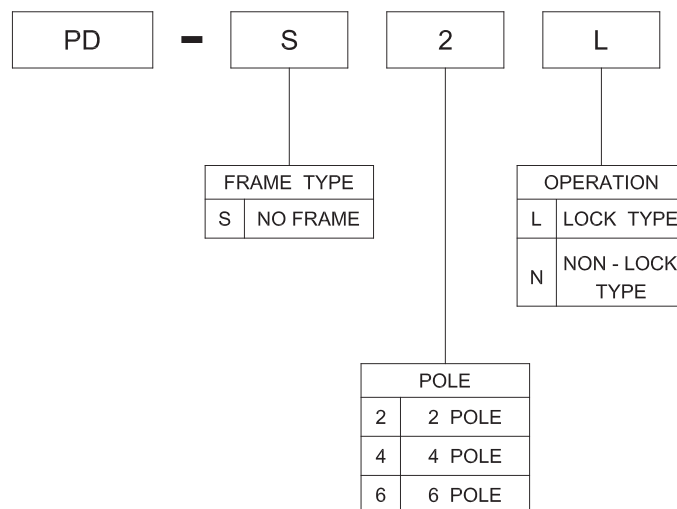
Application -

various switching purpose in all home electronic equipments and industrial electronic equipments

► SPECIFICATIONS

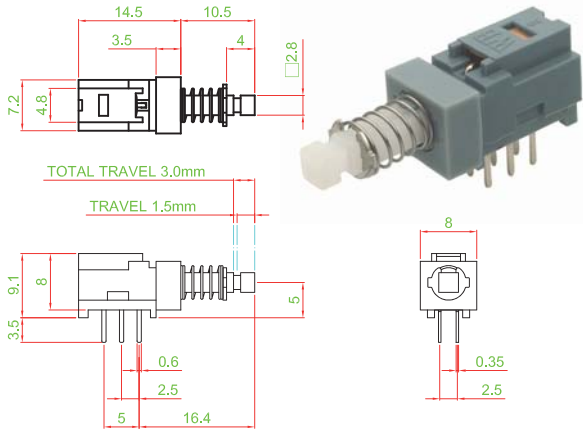
SWITCH SPECIFICATIONS	
POLE - POSITION	2P2T , 4P2T , 6P2T , Momentary and Lock Type are Available
CONTACT RATING	30 V DC , 0.1 A
CONTACT RESISTANCE	40 mΩ MAX. 1.5 V DC ; 100 mA , by Method of Voltage DROP
INSULATION RESISTANCE	100 MΩ MIN. 500 V DC
DIELECTRIC STRENGTH	Breakdown is not Allowable ; 500 V AC for 1 Minute
OPERATING FORCE	250 ± 150gf
OPERATING LIFE	10,000 cycles
OPERATING TEMPERATURE RANGE	-20°C ~ 70°C
TOTAL TRAVEL	TRAVEL : 1.5 ± 0.3 mm TOTAL TRAVEL : 3.0 ± 0.3 mm

► HOW TO ORDER

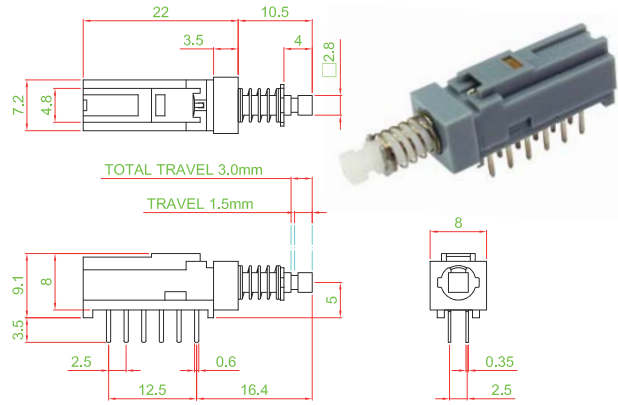


► DIMENSION

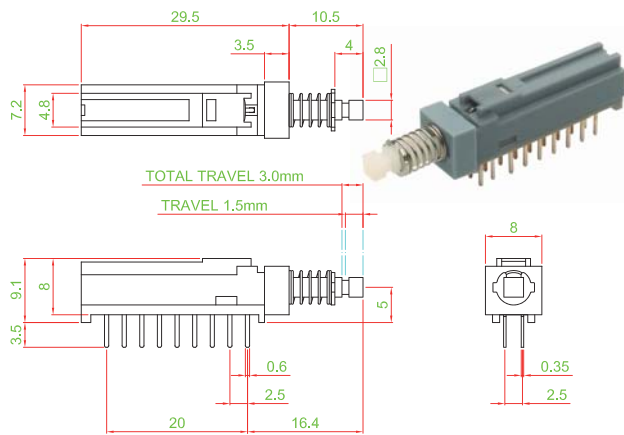
PD - S2L



PD - S4L

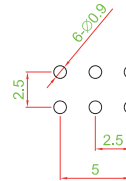


PD - S6L

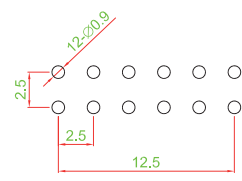


► P.C.B LAYOUT

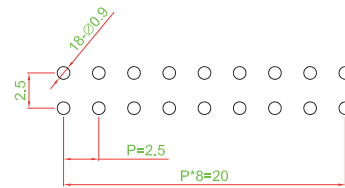
PD - S2L



PD - S4L

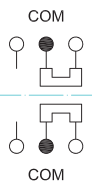


PD - S6L

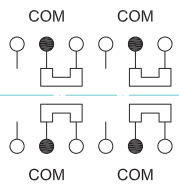


► SCHEMATIC

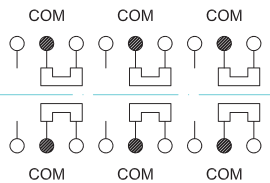
2 POLE



4 POLE



6 POLE



► MATERIAL

- COVER : PA + GF
- ACTUATOR : PA + GF
- BASE FRAME : PA + GF
- TERMINAL : SILVER PLATING

# Mouser Electronics

Authorized Distributor

Click to View Pricing, Inventory, Delivery & Lifecycle Information:

[Well Buying:](#)

[PD-S6L](#) [PD-S4L](#) [PD-S2L-2](#) [PD-S2L](#)