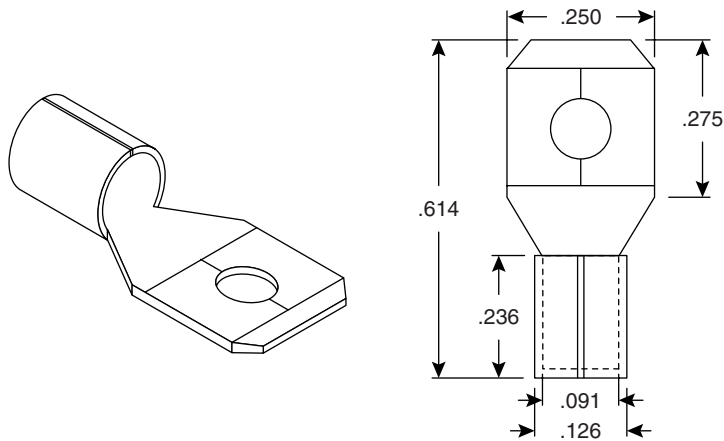


Butted Seam Disconnect

159-1650



Butted Seam Disconnect



Dimensions: In.

SPECIFICATIONS	
Type:	non-insulated male disconnect
Material:	brass
Wire range:	14-16AWG (2.0mm ²)
Tab thickness:	.032"

Date Last Revised: 6-23-05

Available from Mouser Electronics
1-800-346-6873
www.mouser.com

KC-300707

159-1650