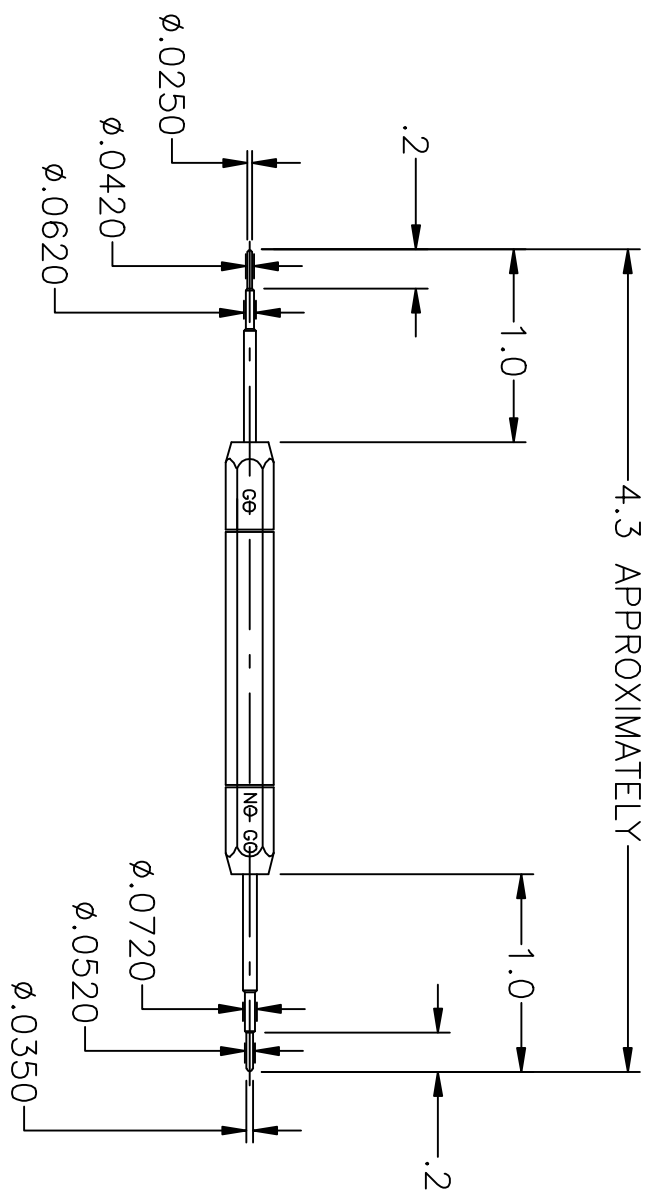


# 660047-ENV

**UNCONTROLLED DOCUMENT  
WILL NOT BE UPDATED**



NOTES: 1. THIS IS AN AUTOCAD DRAWING DO NOT CHANGE MANUALLY.

REV.	DESCRIPTION	BY	DATE	APR.	<p>THESE DRAWINGS, SPECIFICATIONS OR OTHER DATA ARE AND REMAIN, THE PROPERTY OF ASTRO TOOL CORP. AND MUST BE RETURNED UPON REQUEST. THEY CONTAIN INFORMATION OWNED AND/OR DEVELOPED BY ASTRO AT ITS OWN PRIVATE EXPENSE AND MAY NOT BE USED, DUPLICATED OR DISCLOSED TO OTHERS, IN WHOLE OR IN PART FOR DESIGN, MANUFACTURE OR PROCUREMENT WITHOUT THE WRITTEN PERMISSION OF ASTRO TOOL CORP. EACH AND EVERY TIME.</p>	<p>SCALE: N.T.S.</p> <p>DWN BY: DY0</p> <p>DATE: 01-14-11</p> <p>APPROVED:</p>	<p>UNLESS OTHERWISE SPECIFIED: DECIMALS: XXX ± .005 XX ± .010 X ± .030 ANGLES: ± 1°</p>	<p>21615 S.W. TUALATIN VALLEY HWY., BEAVERTON OR 97006</p> <p><b>ASTRO TOOL CORP.</b></p> <p>CAGE 58164</p>
A	NEW RELEASE	DY0	01-14-11	MMK				<p>DESCRIPTION: ENVELOPE DRAWING: 660047 GAGE</p> <p>PART NO. A 660047-ENV</p>