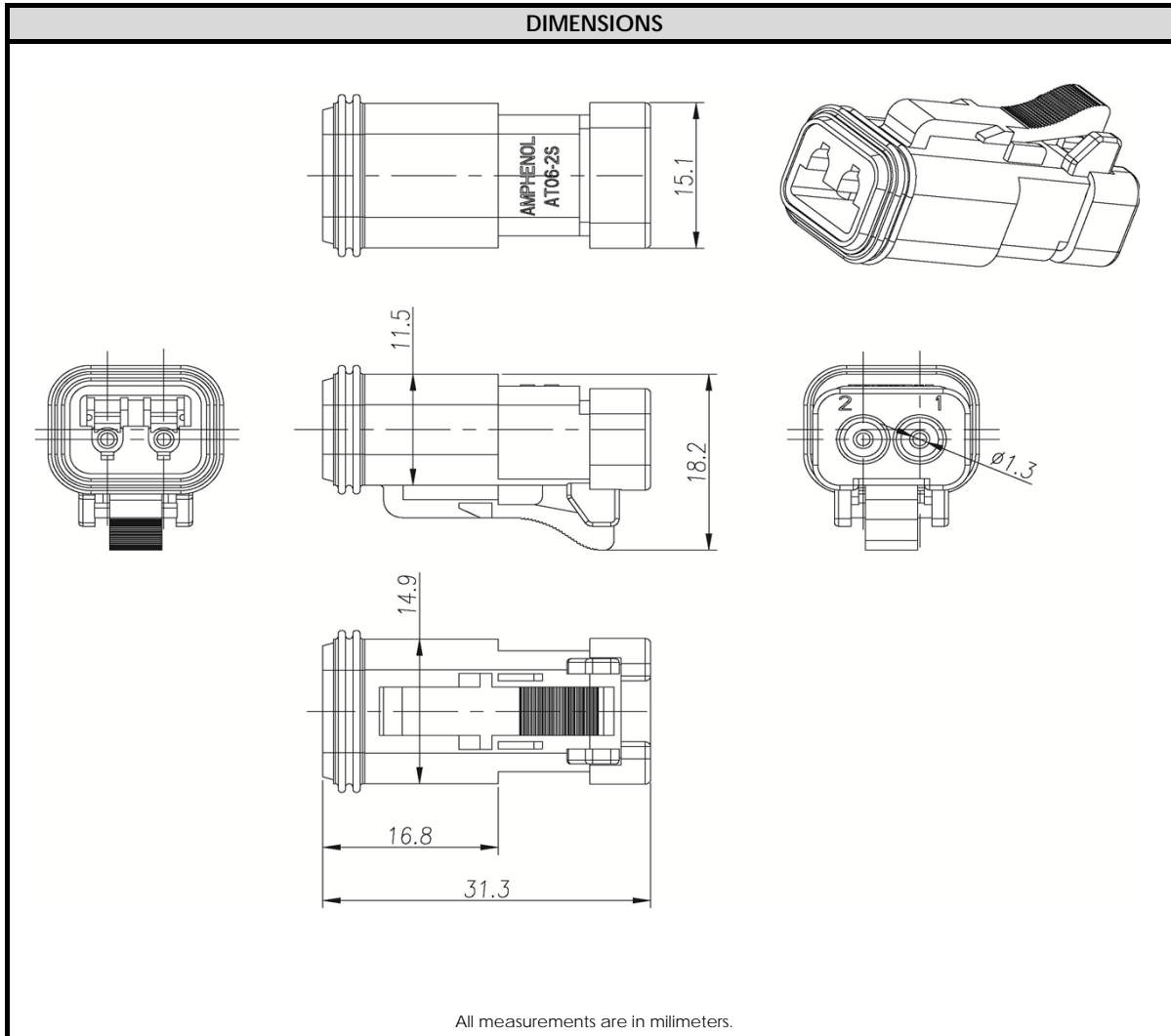


CONFIGURATION	PART NUMBER
Plug, 2 Way, End Cap	AT06-2S-EC01



NOTES:	
CONTACT SIZE	16
WIRE RANGE	14 - 20 AWG [2.0 - 0.5]
INSULATION O.D. (MAX)	.145" [3.68mm]
INSULATION O.D. (MIN)	.088" [2.24mm]
HOUSING COLOR	GREY
MATING CONNECTOR:	AT04-2P
REQUIRED WEDGE	AW2S
REV: NC	UNCONTROLLED DOCUMENT
DATE 16-SEPT-2011	INFORMATION SUBJECT TO CHANGE WITHOUT NOTICE

© 2011 Amphenol Sine Systems Corporation. Every effort has been made to ensure that the information contained in this document is accurate at the time of publication. Specifications or information stated in this publication

Mouser Electronics

Authorized Distributor

Click to View Pricing, Inventory, Delivery & Lifecycle Information:

[Amphenol:](#)

[AT06-2S-EC01BLK](#)