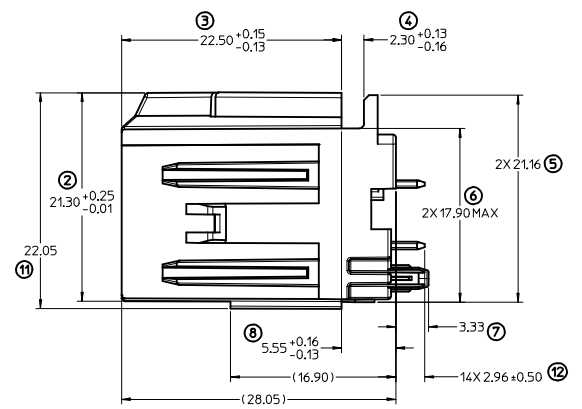
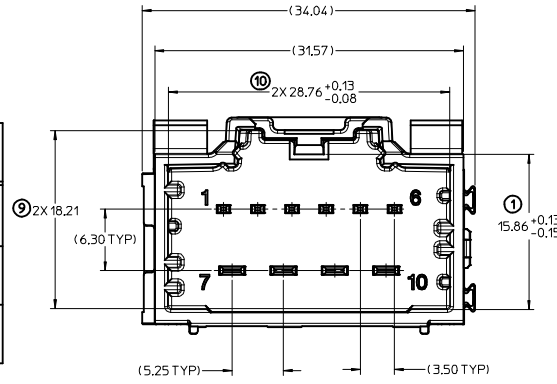
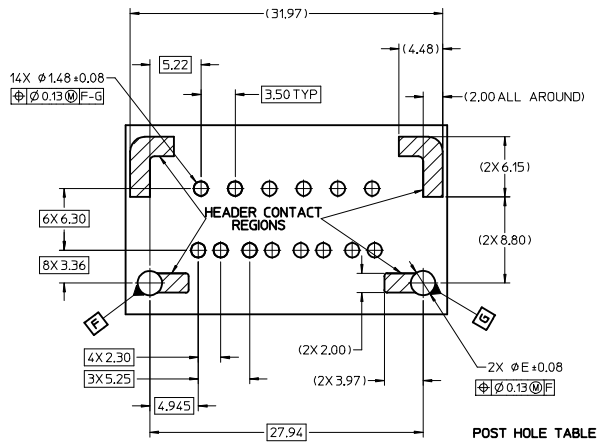


MATERIAL NUMBER		CKT SIZE	DESCRIPTION	POL	COLOR
TUBE PACK	TRAY PACK				
34695-9100	34695-0100	10	POWER STAC VERTICAL HEADER ASSEMBLY	A	BLACK
34695-9101	34695-0101	10	POWER STAC VERTICAL HEADER ASSEMBLY	B	GREY
34695-9102	34695-0102	10	POWER STAC VERTICAL HEADER ASSEMBLY	C	BROWN



RECOMMENDED PCB LAYOUT



POST HOLE TABLE

FOR DIM E:	
PRESS FIT	Ø2.60
DROP IN	Ø3.05

NOTES: VALID UNLESS OTHERWISE SPECIFIED
1. GENERAL:

- a. CONNECTOR HEADER MUST BE VALIDATED TO THE FOLLOWING FUNCTIONAL REQUIREMENTS:
PIN RETENTION - USCAR-2 REV 4
SOLDERABILITY - SMES-152
 - b. APPLICATION REQUIREMENTS (REFERENCE ONLY) FOR:
SEE APPLICATION SPECIFICATION - AS-34690-000
SEE PRODUCT SPECIFICATION - PS-31372-100
MATES WITH: SD-31372-900
 - c. PACKAGING SPECIFICATION PER MOLEX DRAWING PK-31300-892
2. DESIGN MATERIALS:
- a. SHROUD (PLASTIC HOUSING):
RESIN - SPS 30%GF
 - b. 150mm BLADES:
BASE MATERIAL: C19400
PLATING TYPE: AS NOTED
 - c. 280mm BLADES:
BASE MATERIAL: C19400
PLATING TYPE: AS NOTED
3. PLATING REQUIREMENTS:
- a. UNDERPLATING - OVERALL NICKEL
 - b. OVERPLATING - OVERALL TIN

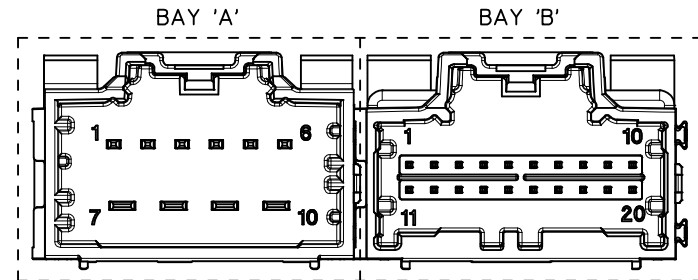
UPDATED DIMENSIONS EC NO: UAU2013-1619 DRAWN: FISCHER01 2013/04/15 CHKD: APPR: RBAUMAN 2013/04/26	QUALITY SYMBOLS	GENERAL TOLERANCES (UNLESS SPECIFIED)	DIMENSION STYLE	SCALE	DESIGN UNITS	THIRD ANGLE PROJECTION															
	$\nabla=0$ $\nabla=0$	<table border="1"> <thead> <tr> <th></th> <th>mm</th> <th>INCH</th> </tr> </thead> <tbody> <tr> <td>4 PLACES</td> <td>±---</td> <td>±---</td> </tr> <tr> <td>3 PLACES</td> <td>±---</td> <td>±---</td> </tr> <tr> <td>2 PLACES</td> <td>±0.13</td> <td>±---</td> </tr> <tr> <td>1 PLACE</td> <td>±0.25</td> <td>±---</td> </tr> </tbody> </table>		mm	INCH	4 PLACES	±---	±---	3 PLACES	±---	±---	2 PLACES	±0.13	±---	1 PLACE	±0.25	±---	MM ONLY	4:1	METRIC	
		mm	INCH																		
	4 PLACES	±---	±---																		
3 PLACES	±---	±---																			
2 PLACES	±0.13	±---																			
1 PLACE	±0.25	±---																			
DRAWN BY: MBAILEY CHECKED BY: CDILLON APPROVED BY:	DATE: 10/02/06 DATE: 04/18/07 DATE:	TITLE	STAC64 SINGLE BAY VERT 10 CKT. HEADER ASSEMBLY SALES DRAWING																		
		DRAFT WHERE APPLICABLE MUST REMAIN WITHIN DIMENSIONS	MATERIAL NO. SEE CHART	DOCUMENT NO. SD-34695-100	MOLEX INCORPORATED	SHEET NO. 1 OF 1															

THIS DRAWING CONTAINS INFORMATION THAT IS PROPRIETARY TO MOLEX INCORPORATED AND SHOULD NOT BE USED WITHOUT WRITTEN PERMISSION

2 BAY STAC64 VERTICAL HEADER ASSEMBLY (P/N: 34707-2012 SHOWN)

DIMENSIONAL CHART FOR MULTIBAY CONFIGURATION:

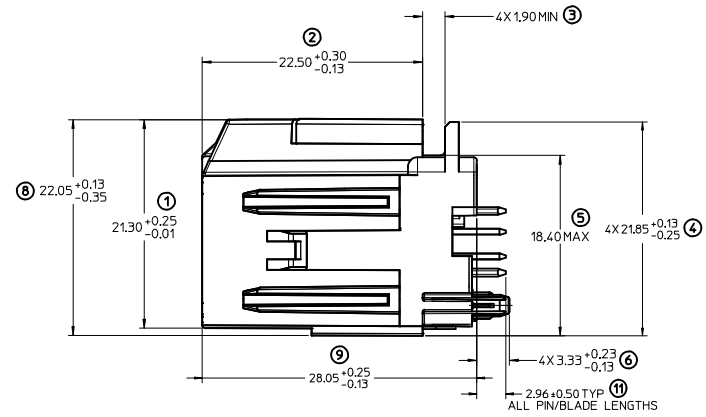
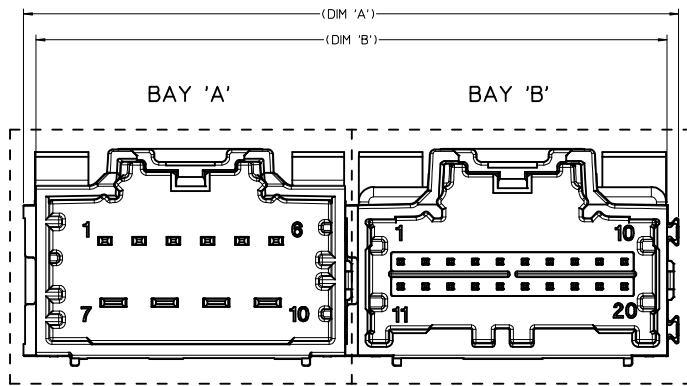
PART NUMBER (TUBE PKG)	PART NUMBER (TRAY PKG)	BAY A			BAY B			DIM 'A'	DIM 'B'	DIM 'C'	DIM 'D'
		CKT	TYPE	POL	CKT	TYPE	POL				
34707-7000	34707-2000	20	0.64mm	A	20	0.64mm	B	66.94	64.47	27.94	27.94
TBD	34707-2001	20	0.64mm	A	20	0.64mm	C	66.94	64.47	27.94	27.94
TBD	34707-2002	20	0.64mm	C	20	0.64mm	D	66.94	64.47	27.94	27.94
TBD	34707-2003	20	0.64mm	C	20	0.64mm	A	66.94	64.47	27.94	27.94
TBD	34707-2004	12	0.64mm	A	20	0.64mm	A	56.78	54.31	17.78	27.94
34707-7012	34707-2012	10	HYBRID	A	20	0.64mm	C	66.94	64.47	27.94	27.94
TBD	34707-2022	20	0.64mm	C	10	HYBRID	A	66.94	64.47	27.94	27.94
TBD	34707-2023	20	0.64mm	A	20	0.64mm	D	66.94	64.47	27.94	27.94
TBD	34707-2030	10	HYBRID	B	10	HYBRID	A	66.94	64.47	27.94	27.94
TBD	34707-2040	12	0.64mm	A	12	0.64mm	B	46.62	44.15	17.78	17.78
TBD	34707-2050	20	0.64mm	A	16	0.64mm	A	61.86	59.39	27.94	22.86
TBD	34707-2060	20	0.64mm	A	12	0.64mm	A	56.78	54.31	27.94	17.78
TBD	34707-2070	16	0.64mm	A	8	0.64mm	C	46.62	44.15	22.86	12.70
34707-7080	34707-2080	12	0.64mm	A	20	0.64mm	B	56.78	54.31	17.78	27.94
TBD	34707-2090	16	0.64mm	A	16	0.64mm	B	56.78	54.31	22.86	22.86



- NOTES: VALID UNLESS OTHERWISE SPECIFIED
1. GENERAL:
 - a. CONNECTOR HEADER MUST BE VALIDATED TO THE FOLLOWING FUNCTIONAL REQUIREMENTS:
 - PRODUCT SPECIFICATION:
 - 8-20 CKT 0.64mm PRODUCT SPEC: PS-34729-100/PS-31408-100
 - 10 CKT HYBRID PRODUCT SPEC: PS-31372-100
 - b. APPLICATION REQUIREMENTS (REFERENCE ONLY):
 - APPLICATION SPECIFICATION: AS-34729-020/AS-31408-100
 - c. PACKAGING SPECIFICATION PER MOLEX DRAWING PK-31300-892 (TRAY)
 - d. PACKAGING SPECIFICATION PER MOLEX DRAWING PK-31301-063 (TUBE)
 2. DESIGN: MATERIALS:
 - a. SHROUD (PLASTIC HOUSING):
 - RESIN: SPS 30%GF
 - COLORS:
 - POL A - BLACK
 - POL B - GRAY
 - POL C - BROWN
 - POL D - GREEN
 - b. 0.64mm PINS:
 - BASE MATERIAL: C26000
 - PLATING TYPE: AS NOTED
 - 150mm BLADES:
 - BASE MATERIAL: C19400
 - PLATING TYPE: AS NOTED
 - 250mm BLADES:
 - BASE MATERIAL: C19400
 - PLATING TYPE: AS NOTED
 3. PLATING REQUIREMENTS:
 - a. UNDERPLATING - OVERALL NICKEL
 - b. OVERPLATING - OVERALL TIN
 4. FOR DESCRIPTION OF INDIVIDUAL BAYS, REFER TO THE FOLLOWING SINGLE BAY DRAWINGS:
 - 8-20 CKT 0.64: SD-34690-100
 - 10 CKT HYBRID: SD-34695-100
 5. INTERFACE: USCAR
 - 064-U-008-2-201
 - 064-U-016-2-202
 - 064-U-016-2-202
 - 064-U-020-2-202

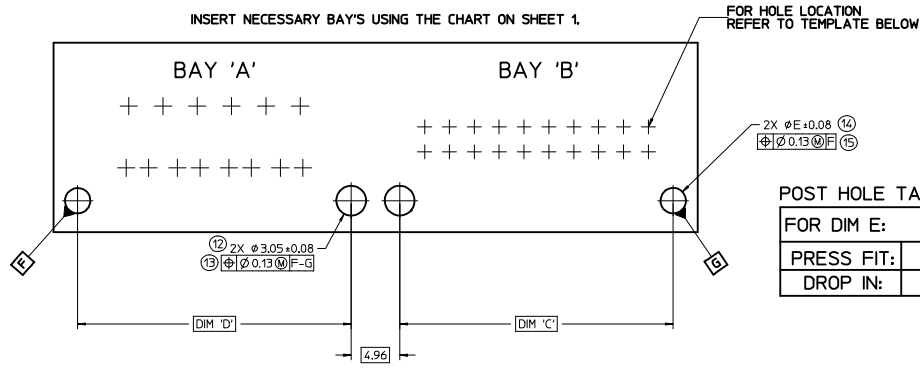
SOME CHAMFERS HAVE BEEN MODIFIED TO IMPROVE POLARIZATION EFFECTIVENESS. SEE AS-34729-002/AS-31408-100.

ADDED POL COLOR IEC NO: UAU2015-1697 DRAWN: FISCHER01 2015/05/14 CHKD: APPROVAL: MAN 2015/05/22 REV:	QUALITY SYMBOLS	GENERAL TOLERANCES (UNLESS SPECIFIED)	DIMENSION STYLE	SCALE	DESIGN UNITS	THIRD ANGLE PROJECTION	
	▼=0 ▽=0	mm INCH 4 PLACES ± --- ± --- 3 PLACES ± --- ± --- 2 PLACES ± 0.13 ± --- 1 PLACE ± 0.25 ± --- ANGULAR ± 3 °	MM ONLY DRAWN BY DATE M BAILEY 9/04/2007 CHECKED BY DATE CDILLON 9/04/2007 APPROVED BY DATE SMARCEAU 2010/10/20	4:1 METRIC	TITLE 2-BAY STAC64 VERTICAL HEADER ASSEMBLY SALES DRAWING		
	DRAFT WHERE APPLICABLE MUST REMAIN WITHIN DIMENSIONS		MATERIAL NO. SEE CHART		MOLEX INCORPORATED DOCUMENT NO. SD-34707-200		
	SIZE D THIS DRAWING CONTAINS INFORMATION THAT IS PROPRIETARY TO MOLEX INCORPORATED AND SHOULD NOT BE USED WITHOUT WRITTEN PERMISSION		SHEET NO. 1 OF 3				



RECOMMENDED PCB LAYOUT

INSERT NECESSARY BAYS USING THE CHART ON SHEET 1.



FOR HOLE LOCATION REFER TO TEMPLATE BELOW

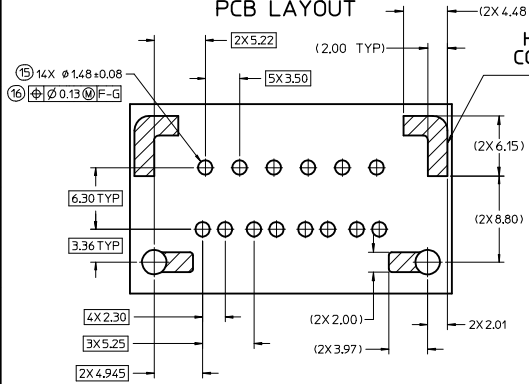
2X $\phi E \pm 0.08$ (14)
 $\phi \phi 0.13 \phi F$ (15)

POST HOLE TABLE:

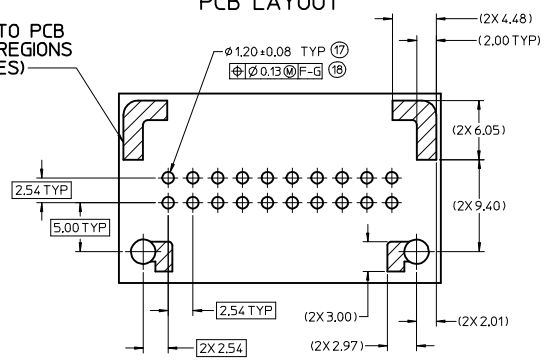
FOR DIM E:	
PRESS FIT:	2.60
DROP IN:	3.05

ADDED P/NDIMS:TOL IEC NO. UAU2015-1697 DRAWN: FISCHER01 2015/05/14 CHKD: APPR: BRALMAN 2015/05/22 REV:	QUALITY SYMBOLS $\nabla=0$ $\nabla=0$	GENERAL TOLERANCES (UNLESS SPECIFIED) <table border="1"> <thead> <tr> <th></th> <th>mm</th> <th>INCH</th> </tr> </thead> <tbody> <tr> <td>4 PLACES</td> <td>± 0.30</td> <td>± 0.012</td> </tr> <tr> <td>3 PLACES</td> <td>± 0.25</td> <td>± 0.010</td> </tr> <tr> <td>2 PLACES</td> <td>± 0.13</td> <td>± 0.005</td> </tr> <tr> <td>1 PLACE</td> <td>± 0.25</td> <td>± 0.010</td> </tr> </tbody> </table>		mm	INCH	4 PLACES	± 0.30	± 0.012	3 PLACES	± 0.25	± 0.010	2 PLACES	± 0.13	± 0.005	1 PLACE	± 0.25	± 0.010	DIMENSION STYLE MM ONLY	SCALE 4:1	DESIGN UNITS METRIC	THIRD ANGLE PROJECTION
		mm	INCH																		
	4 PLACES	± 0.30	± 0.012																		
	3 PLACES	± 0.25	± 0.010																		
2 PLACES	± 0.13	± 0.005																			
1 PLACE	± 0.25	± 0.010																			
DRAWN BY M.BAILEY	DATE 9/04/2007	TITLE 2-BAY STAC64 VERTICAL HEADER ASSEMBLY SALES DRAWING																			
CHECKED BY CDILLON	DATE 9/04/2007	APPROVED BY SMARCEAU 2010/10/20																			
MATERIAL NO. SEE CHART		DOCUMENT NO. SD-34707-200		SHEET NO. 2 OF 3																	

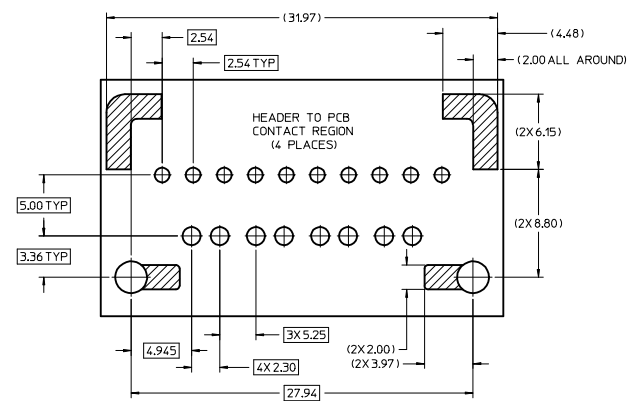
10 CKT HYBRID TEMPLATE PCB LAYOUT



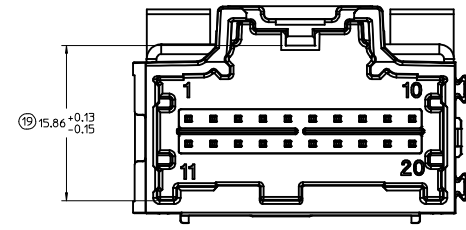
8-20 CKT 0.64mm TEMPLATE PCB LAYOUT



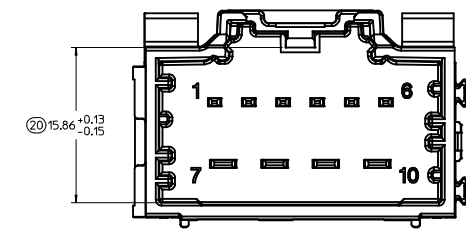
14 CKT HYBRID TEMPLATE PCB LAYOUT



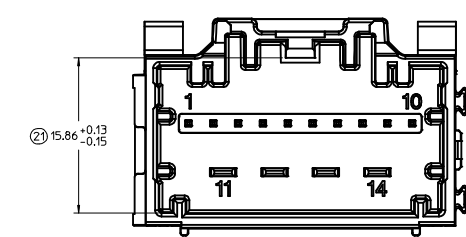
8-20 CKT 0.64mm INTERFACE



10 CKT HYBRID INTERFACE



14 CKT HYBRID INTERFACE

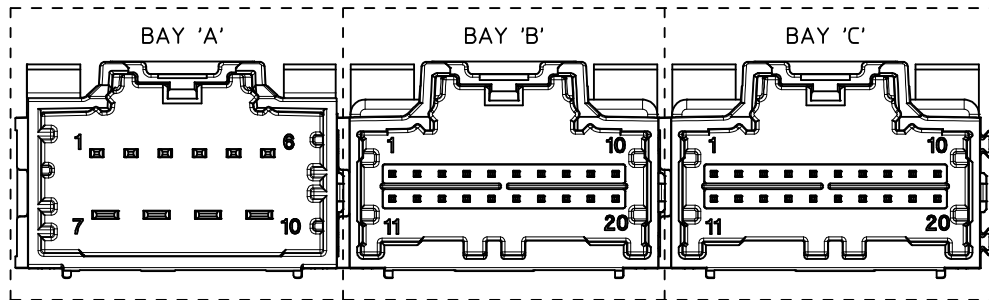


ENTER DESCRIPTION IEC NO. UAU2015-1697 DRAWN BY FISCHER01 2015/05/14 CHKD: APPR:RBALMAN 2015/05/22 REV:	QUALITY SYMBOLS	GENERAL TOLERANCES (UNLESS SPECIFIED)	DIMENSION STYLE	SCALE	DESIGN UNITS	THIRD ANGLE PROJECTION
	$\nabla=0$	mm INCH	MM ONLY	4:1	METRIC	
	$\nabla=0$	4 PLACES \pm --- \pm ---	DRAWN BY DATE	TITLE		
	$\nabla=0$	3 PLACES \pm --- \pm ---	CHECKED BY DATE	2-BAY STAC64 VERTICAL HEADER ASSEMBLY SALES DRAWING		
	ANGULAR $\pm 3^\circ$	1 PLACE ± 0.13 \pm ---	APPROVED BY DATE	molex		
	DRAFT WHERE APPLICABLE MUST REMAIN WITHIN DIMENSIONS	0 PLACE \pm --- \pm	SMARCEAU 2010/10/20	DOCUMENT NO. SD-34707-200 SHEET NO. 3 OF 3		
		SEE CHART	MATERIAL NO.	THIS DRAWING CONTAINS INFORMATION THAT IS PROPRIETARY TO MOLEX INCORPORATED AND SHOULD NOT BE USED WITHOUT WRITTEN PERMISSION		

DIMENSIONAL CHART FOR MULTIBAY CONFIGURATION:

PART NUMBER (TUBE PKG)	PART NUMBER (TRAY PKG)	BAY A			BAY B			BAY C			DIM 'A'	DIM 'B'	DIM 'C'	DIM 'D'	DIM 'E'
		CKT	TYPE	POL	CKT	TYPE	POL	CKT	TYPE	POL					
TBD	34707-3010	20	0.64mm	A	8	0.64mm	A	16	0.64mm	A	79.52	77.05	22.86	12.70	27.94
TBD	34707-3020	16	0.64mm	B	8	0.64mm	B	20	0.64mm	B	79.52	77.05	27.94	12.70	22.86
TBD	34707-3021	10	HYBRID	A	20	0.64mm	C	20	0.64mm	D	99.84	97.37	27.94	27.94	27.94
TBD	34707-3030	12	0.64mm	A	20	0.64mm	C	20	0.64mm	D	89.68	87.21	27.94	27.94	17.78
TBD	34707-3040	20	0.64mm	A	20	0.64mm	B	20	0.64mm	C	99.84	97.37	27.94	27.94	27.94
TBD	34707-3050	16	0.64mm	A	16	0.64mm	B	16	0.64mm	C	84.60	82.13	22.86	22.86	22.86
TBD	34707-3060	20	0.64mm	B	16	0.64mm	C	10	HYBRID	A	94.76	92.29	27.94	22.86	27.94
TBD	34707-3070	10	HYBRID	A	10	HYBRID	B	10	HYBRID	C	99.84	97.37	27.94	27.94	27.94
TBD	34707-3090	20	0.64mm	A	20	0.64mm	C	8	0.64mm	B	84.60	82.13	27.94	27.94	12.70
TBD	34707-3100	14	HYBRID	A	20	0.64mm	A	20	0.64mm	B	99.84	97.37	27.94	27.94	27.94

3-BAY STAC64 VERTICAL HEADER ASSEMBLY
(P/N: 34707-3021 SHOWN)



NOTES: VALID UNLESS OTHERWISE SPECIFIED

1. GENERAL:

a. CONNECTOR HEADER MUST BE VALIDATED TO THE FOLLOWING FUNCTIONAL REQUIREMENTS:

- PRODUCT SPECIFICATION:
- 8-20 CKT 0.64mm PRODUCT SPEC: PS-34729-020/PS-31408-100
- 10 CKT HYBRID PRODUCT SPEC: PS-31372-100

b. APPLICATION REQUIREMENTS (REFERENCE ONLY):

APPLICATION SPECIFICATION: AS-34729-020/AS-31408-100

- c. PACKAGING SPECIFICATION PER MOLEX DRAWING PK-31300-892 (TRAY)
- c. PACKAGING SPECIFICATION PER MOLEX DRAWING PK-31301-063 (TUBE)

2. DESIGN: MATERIALS:

a. SHROUD (PLASTIC HOUSING):

RESIN - SPS 30%GF

COLOR:

- POL A - BLACK
- POL B - GRAY
- POL C - BROWN
- POL D - GREEN

b. 0.64mm PINS:

BASE MATERIAL: C26000
PLATING TYPE: AS NOTED

150mm BLADES:
BASE MATERIAL: C19400
PLATING TYPE: AS NOTED

2.80mm BLADES:
BASE MATERIAL: C19400
PLATING TYPE: AS NOTED

3. PLATING REQUIREMENTS:

- a. UNDERPLATING - OVERALL NICKEL
- b. OVERPLATING - OVERALL TIN

4. FOR DESCRIPTION OF INDIVIDUAL BAYS, REFER TO THE FOLLOWING

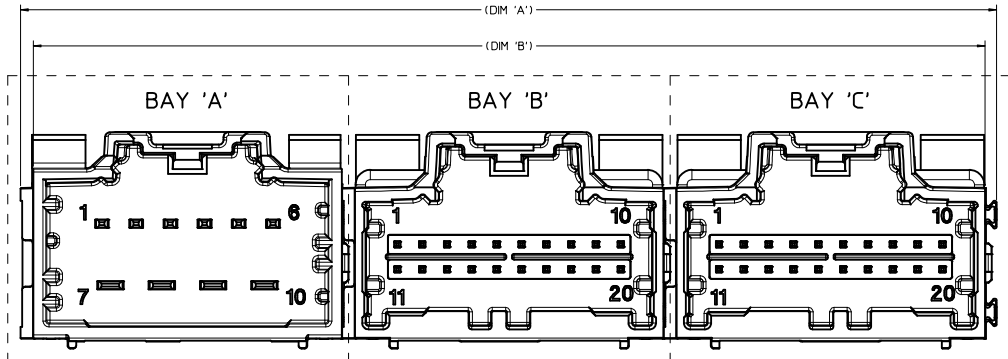
- SINGLE BAY DRAWINGS:
- 8-20 CKT 0.64: SD-34690-100
- 10 CKT HYBRID: SD-34695-100

5. INTERFACE: USCAR

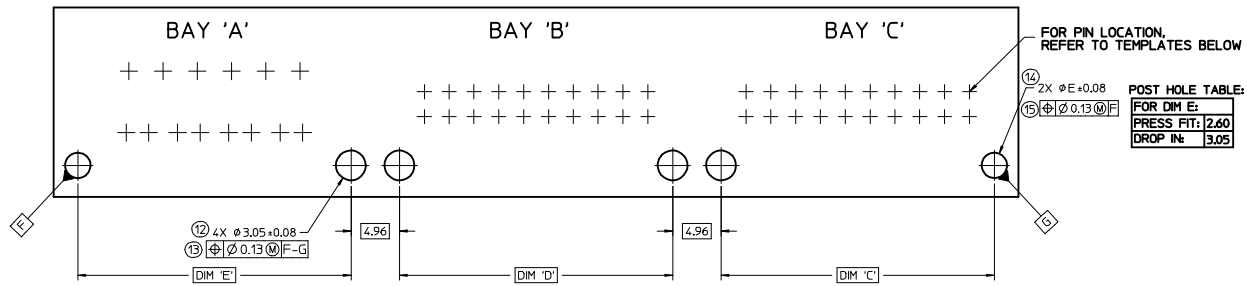
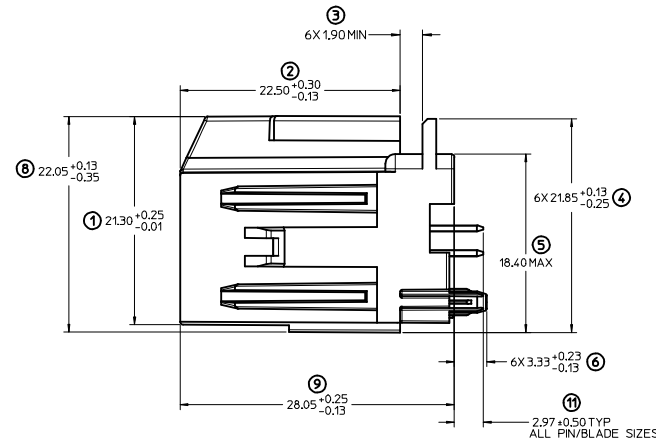
- 064-U-008-2-Z01
- 064-U-012-2-Z02
- 064-U-016-2-Z02
- 064-U-020-2-Z02

SOME CHAMFERS HAVE BEEN MODIFIED TO IMPROVE POLARIZATION EFFECTIVENESS. SEE AS-34729-002/AS-31408-100.

ADDED POL COLOR IEC NO: UAU2015-1632 DRAWN: FISCHER01 2015/05/01 CHKO: APPROV: KNAALK APPR: KNAALK 2015/05/07	QUALITY SYMBOLS ▽=0 ▽=0	GENERAL TOLERANCES (UNLESS SPECIFIED): mm INCH		DIMENSION STYLE MM ONLY	SCALE 4:1	DESIGN UNITS METRIC	THIRD ANGLE PROJECTION	
		4 PLACES ±.--- ±.--- 3 PLACES ±.--- ±.--- 2 PLACES ±0.13 ±.--- 1 PLACE ±0.25 ±.--- ANGULAR ± 1°	DRAWN BY VDANIELE DATE 9/05/2008	CHECKED BY CDILLON DATE 9/05/2008	APPROVED BY SMARCEAU DATE 2010/10/20	MATERIAL NO. SEE CHART	DOCUMENT NO. SD-34707-300	SHEET NO. 1 OF 3
DRAFT WHERE APPLICABLE MUST REMAIN WITHIN DIMENSIONS								THIS DRAWING CONTAINS INFORMATION THAT IS PROPRIETARY TO MOLEX INCORPORATED AND SHOULD NOT BE USED WITHOUT WRITTEN PERMISSION



RECOMMENDED PCB LAYOUT
INSERT NECESSARY BAYS USING CHART ON SHEET 1



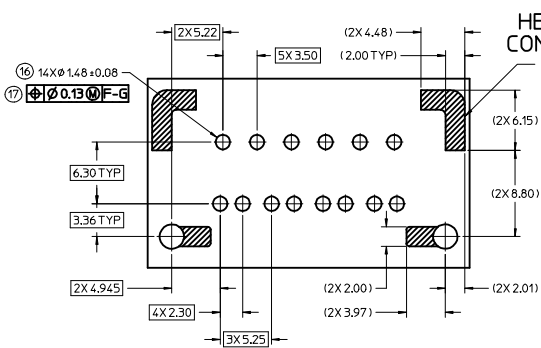
FOR PIN LOCATION, REFER TO TEMPLATES BELOW

POST HOLE TABLE:

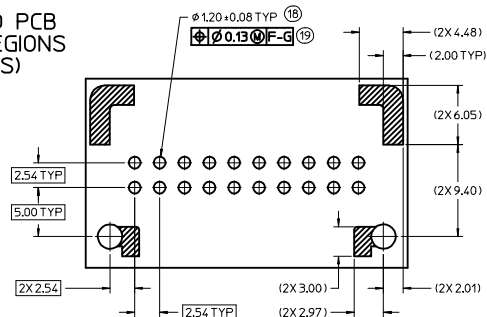
FOR DIM E:
PRESS FIT: 2.60
DROP IN: 3.05

OK TO TOOL EC NO: UAU2015-1632 DRAWN: FISCHER01 2015/05/01 CHKD: APPR: KNAICK 2015/05/07	QUALITY SYMBOLS	GENERAL TOLERANCES (UNLESS SPECIFIED)	DIMENSION STYLE	SCALE	DESIGN UNITS	THIRD ANGLE PROJECTION
	▽=0 ▽=0	mm INCH 4 PLACES +---+---+ 3 PLACES +---+---+ 2 PLACES +---+---+ 1 PLACE +---+---+ ANGULAR ± 1°	MM ONLY	4:1	METRIC	DRAWN BY: VDANIELE DATE: 9/05/2008 CHECKED BY: EDILLON DATE: 9/05/2008 APPROVED BY: SMARCEAU DATE: 2010/10/20
	DRAFT WHERE APPLICABLE MUST REMAIN WITHIN DIMENSIONS	MATERIAL NO. SEE CHART SIZE D	TITLE: 3-BAY STAC64 VERTICAL HEADER ASSEMBLY SALES DRAWING MOLEX INCORPORATED DOCUMENT NO. SD-34707-300	SHEET NO. 2 OF 3		
	THIS DRAWING CONTAINS INFORMATION THAT IS PROPRIETARY TO MOLEX INCORPORATED AND SHOULD NOT BE USED WITHOUT WRITTEN PERMISSION					

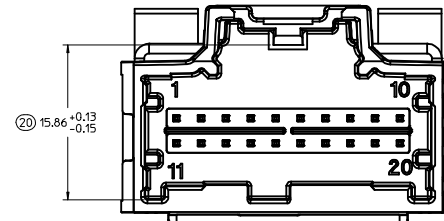
10 CKT HYBRID TEMPLATE
PCB LAYOUT



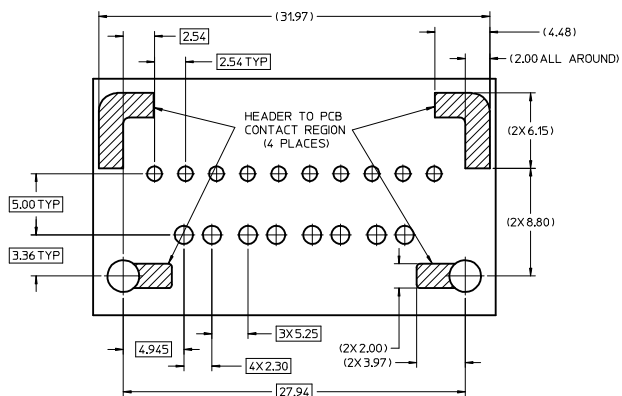
8-20 CKT 0.64mm TEMPLATE
PCB LAYOUT



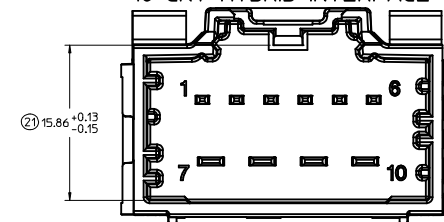
8-20 CKT 0.64mm INTERFACE



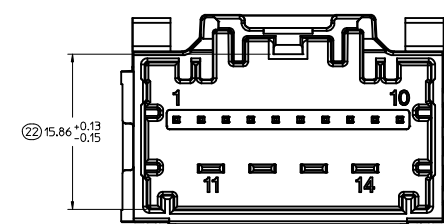
14 CKT HYBRID TEMPLATE
PCB LAYOUT



10 CKT HYBRID INTERFACE



14 CKT HYBRID INTERFACE

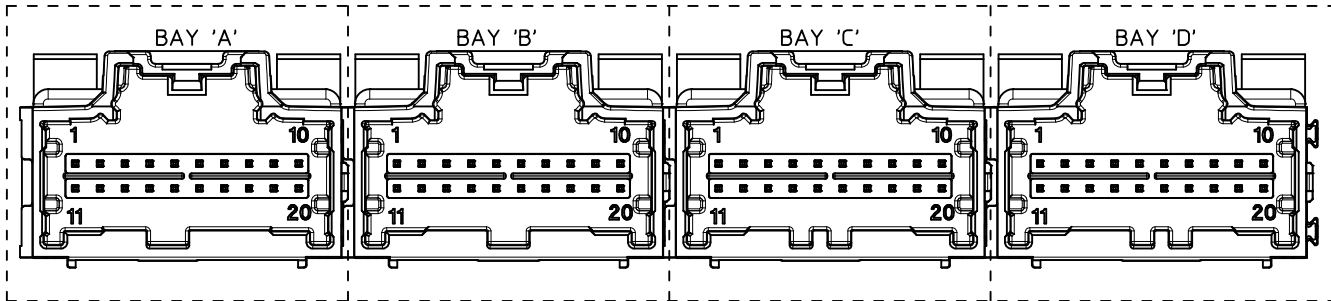


ENTER DESCRIPTION IEC NO. UAU2015-1632 DRAWN/FISCHER01 2015/05/01 CHKD: APPR:MKWALK 2015/05/07 REV DESCRIPTION	QUALITY SYMBOLS	GENERAL TOLERANCES (UNLESS SPECIFIED)	DIMENSION STYLE	SCALE	DESIGN UNITS	THIRD ANGLE PROJECTION
	▽=0	mm INCH	MM ONLY	4:1	METRIC	☉
	▽=0	4 PLACES ± --- ± ---	DRAWN BY	TITLE		
	▽=0	3 PLACES ± --- ± ---	DATE	3-BAY STAC64 VERTICAL HEADER ASSEMBLY SALES DRAWING		
	2 PLACES ± 0.13 ± ---	CHECKED BY	DATE			
	1 PLACE ± 0.25 ± ---	DATE	DATE			
	0 PLACE ± --- ± ---	APPROVED BY	DATE			
	ANGULAR ± 1 °	SMARCEAU 2010/10/20	DATE			
	DRAFT WHERE APPLICABLE MUST REMAIN WITHIN DIMENSIONS	MATERIAL NO.	DOCUMENT NO.			SHEET NO.
	SEE CHART	SD-34707-300	SD-34707-300			3 OF 3
	SIZE D	THIS DRAWING CONTAINS INFORMATION THAT IS PROPRIETARY TO MOLEX INCORPORATED AND SHOULD NOT BE USED WITHOUT WRITTEN PERMISSION				

DIMENSIONAL CHART FOR MULTIBAY CONFIGURATION:

PART NUMBER (TUBE PKG)	PART NUMBER (TRAY PKG)	BAY A			BAY B			BAY C			BAY D			DIM 'A'	DIM 'B'	DIM 'C'	DIM 'D'	DIM 'E'	DIM 'F'
		CKT	TYPE	POL	CKT	TYPE	POL	CKT	TYPE	POL	CKT	TYPE	POL						
34707-9000	34707-4000	20	0.64mm	A	20	0.64mm	B	20	0.64mm	C	20	0.64mm	D	132.74	130.27	27.94	27.94	27.94	27.94
TBD	34707-4010	12	0.64mm	A	20	0.64mm	A	8	0.64mm	A	16	0.64mm	A	102.26	99.79	17.78	27.94	12.70	22.86
TBD	34707-4020	20	0.64mm	D	20	0.64mm	C	20	0.64mm	B	20	0.64mm	A	132.74	130.27	27.94	27.94	27.94	27.94

4 BAY STAC64 VERTICAL HEADER ASSEMBLY
(P/N: 34707-4000 SHOWN)



NOTES: VALID UNLESS OTHERWISE SPECIFIED

1. GENERAL:

a. CONNECTOR HEADER MUST BE VALIDATED TO THE FOLLOWING FUNCTIONAL REQUIREMENTS:

PRODUCT SPECIFICATION:
8-20 CKT 0.64mm PRODUCT SPEC: PS-34729-020/PS-31408-100
10 CKT HYBRID PRODUCT SPEC: PS-31372-100

b. APPLICATION REQUIREMENTS (REFERENCE ONLY):

APPLICATION SPECIFICATION: AS-34729-020/AS-31408-100

c. PACKAGING SPECIFICATION PER MOLEX DRAWING PK-31300-892 (TRAY)
d. PACKAGING SPECIFICATION PER MOLEX DRAWING PK-31301-063 (TUBE)

2. DESIGN: MATERIALS:

a. SHROUD (PLASTIC HOUSING):
RESIN - SPS 30%GF

b. 0.64mm PINS:
BASE MATERIAL: C26000
PLATING TYPE: AS NOTED

150mm BLADES:
BASE MATERIAL: C19400
PLATING TYPE: AS NOTED

2.80mm BLADES:
BASE MATERIAL: C19400
PLATING TYPE: AS NOTED

3. PLATING REQUIREMENTS:

a. UNDERPLATING - OVERALL NICKEL

b. OVERPLATING - OVERALL TIN

4. FOR DESCRIPTION OF INDIVIDUAL BAYS, REFER TO THE FOLLOWING

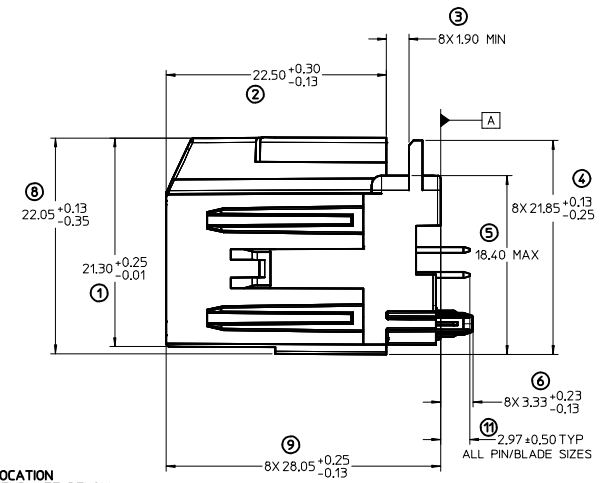
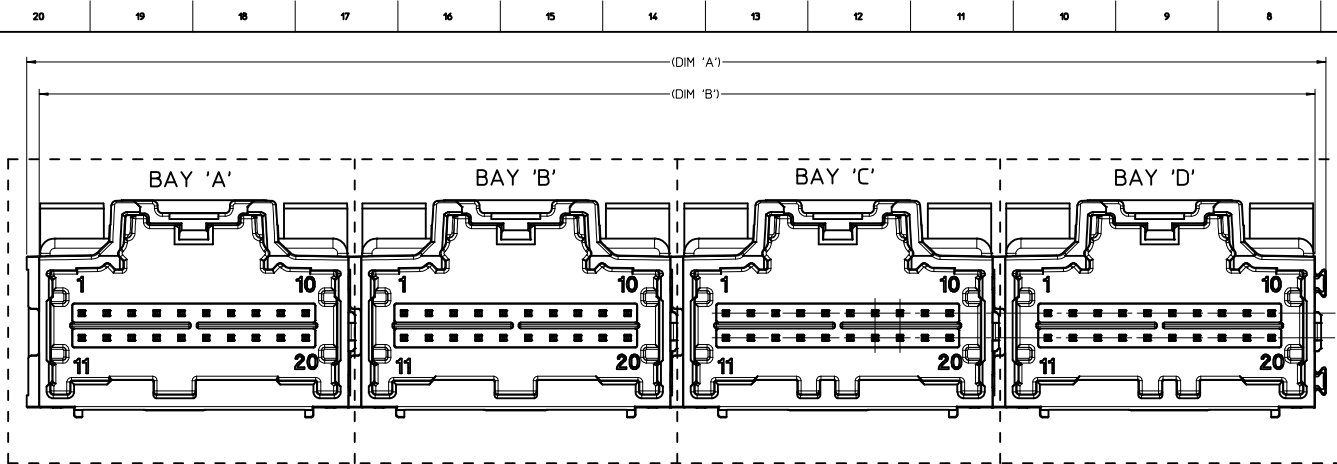
SINGLE BAY DRAWINGS:
8-20 CKT 0.64: SD-34690-100
10 CKT HYBRID: SD-34695-100

5. INTERFACE: USCAR

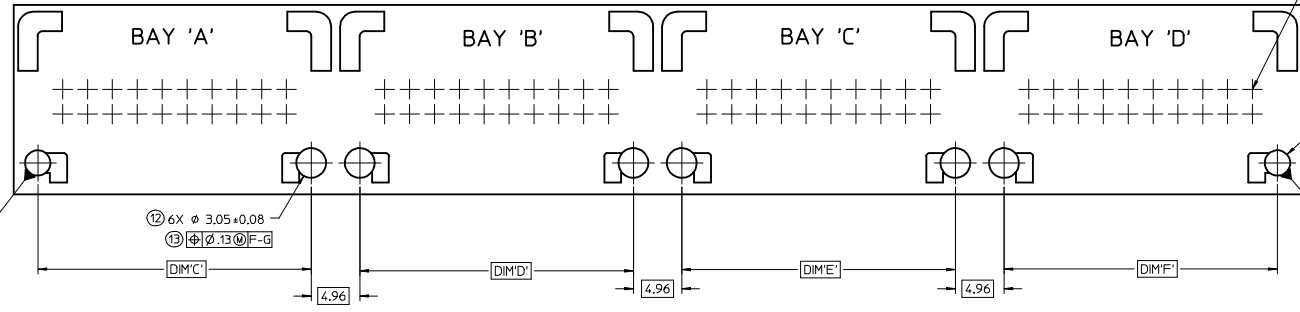
064-U-008-2-201
064-U-012-2-202
064-U-016-2-202
064-U-020-2-202

SOME CHAMFERS HAVE BEEN MODIFIED TO IMPROVE POLARIZATION EFFECTIVENESS. SEE AS-34729-002/AS-31408-100.

RELEASED EEC NO: UAU2015-1632 DRAWN: FISCHER01 2015/05/01 CHKD: APPROV: KAWALK 2015/05/07 D7	QUALITY SYMBOLS ▽=0 ▽=0	GENERAL TOLERANCES (UNLESS SPECIFIED): mm INCH 4 PLACES ±.--- ±.--- 3 PLACES ±.--- ±.--- 2 PLACES ±0.13 ±.--- 1 PLACE ±0.25 ±.--- ANGULAR ±3°	DIMENSION STYLE MM ONLY DRAWN BY: VDANIELE DATE: 9/05/2008 CHECKED BY: EDILLON DATE: 9/05/2008 APPROVED BY: SMARCEAU DATE: 9/5/2008	SCALE: 4:1 DESIGN UNITS: METRIC THIRD ANGLE PROJECTION	TITLE: 4-BAY STAC64 VERTICAL HEADER ASSEMBLY SALES DRAWING MOLEX MOLEX INCORPORATED MATERIAL NO: SEE CHART DOCUMENT NO: SD-34707-400	SHEET NO: 1 OF 3
		DRAFT WHERE APPLICABLE MUST REMAIN WITHIN DIMENSIONS		THIS DRAWING CONTAINS INFORMATION THAT IS PROPRIETARY TO MOLEX INCORPORATED AND SHOULD NOT BE USED WITHOUT WRITTEN PERMISSION		



RECOMMENDED PCB LAYOUT
 INSERT NECESSARY BAY'S USING THE CHART ON SHEET 1



FOR HOLE LOCATION
 REFER TO TEMPLATE BELOW

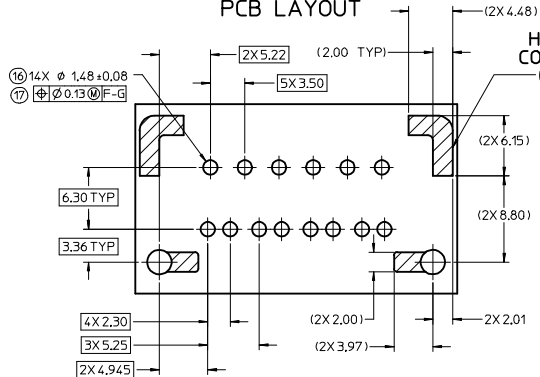
2X ϕ E + 0.08 (12)
 ϕ 0.13 (13)

POST HOLE TABLE

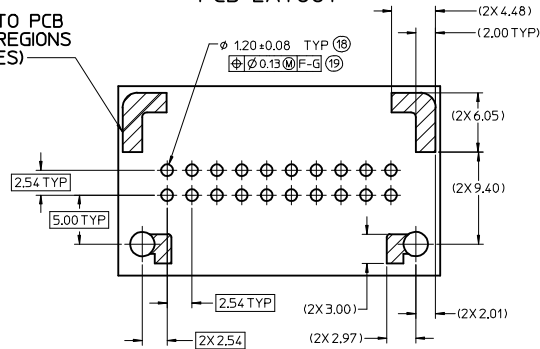
FOR DIM E:	
PRESS FIT	2.70
DROP IN	3.05

RELEASED IEC NO. UAU2015-1632 DRAWN: FISCHER01 2015/05/01 CHKD: CHYD APPR: KWALK 2015/05/07 REV: D7	QUALITY SYMBOLS $\nabla=0$ $\nabla=0$	GENERAL TOLERANCES (UNLESS SPECIFIED) <table border="1"> <tr> <th></th> <th>mm</th> <th>INCH</th> </tr> <tr> <td>4 PLACES</td> <td>± 0.13</td> <td>± 0.005</td> </tr> <tr> <td>3 PLACES</td> <td>± 0.13</td> <td>± 0.005</td> </tr> <tr> <td>2 PLACES</td> <td>± 0.25</td> <td>± 0.010</td> </tr> <tr> <td>1 PLACE</td> <td>± 0.25</td> <td>± 0.010</td> </tr> </table> ANGULAR ± 3°		mm	INCH	4 PLACES	± 0.13	± 0.005	3 PLACES	± 0.13	± 0.005	2 PLACES	± 0.25	± 0.010	1 PLACE	± 0.25	± 0.010	DIMENSION STYLE MM ONLY	SCALE 4:1	DESIGN UNITS METRIC	THIRD ANGLE PROJECTION
		mm	INCH																		
	4 PLACES	± 0.13	± 0.005																		
	3 PLACES	± 0.13	± 0.005																		
2 PLACES	± 0.25	± 0.010																			
1 PLACE	± 0.25	± 0.010																			
DRAWN BY MDANIELE 9/05/2008 CHECKED BY CDILLON 9/05/2008 APPROVED BY SMARCEAU 9/5/2008	TITLE 4-BAY STAC64 VERTICAL HEADER ASSEMBLY SALES DRAWING		MATERIAL NO. SEE CHART		DOCUMENT NO. SD-34707-400	SHEET NO. 2 OF 3															
DRAFT WHERE APPLICABLE MUST REMAIN WITHIN DIMENSIONS																					
THIS DRAWING CONTAINS INFORMATION THAT IS PROPRIETARY TO MOLEX INCORPORATED AND SHOULD NOT BE USED WITHOUT WRITTEN PERMISSION																					

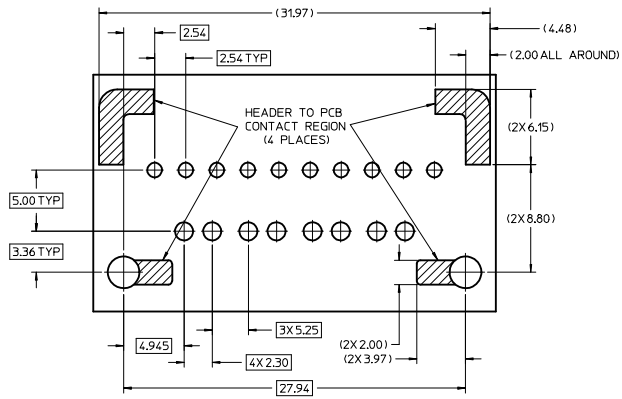
10 CKT HYBRID TEMPLATE PCB LAYOUT



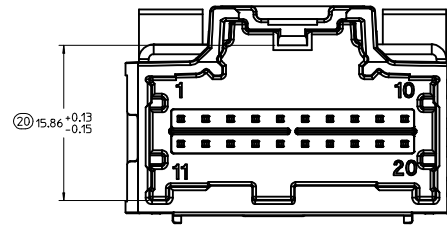
8-20 CKT 0.64mm TEMPLATE PCB LAYOUT



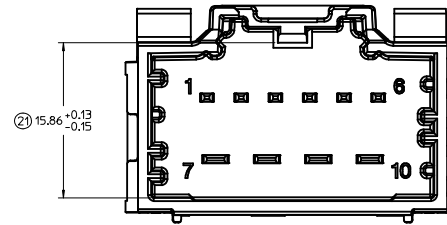
14 CKT HYBRID TEMPLATE PCB LAYOUT



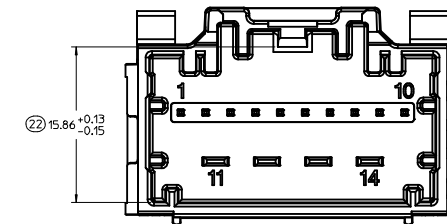
8-20 CKT 0.64mm INTERFACE



10 CKT HYBRID INTERFACE



14 CKT HYBRID INTERFACE



ENTER DESCRIPTION IEC NO. UAU2015-1632 DRAWN BY FISCHER01 2015/05/01 CHKD: MKWALK APPR: MKWALK 2015/05/07 REV: D7	QUALITY SYMBOLS	GENERAL TOLERANCES (UNLESS SPECIFIED)	DIMENSION STYLE	SCALE	DESIGN UNITS	THIRD ANGLE PROJECTION	
	$\nabla=0$ $\nabla=0$ $\nabla=0$	mm INCH 4 PLACES \pm --- \pm --- 3 PLACES \pm --- \pm --- 2 PLACES ± 0.13 \pm --- 1 PLACE ± 0.25 \pm --- 0 PLACE \pm --- \pm ---	MM ONLY	4:1	METRIC	DRAWN BY DATE YDANIELE 9/05/2008 CHECKED BY DATE CDILLON 9/05/2008 APPROVED BY DATE SMARCEAU 9/5/2008	TITLE 4-BAY STAC64 VERTICAL HEADER ASSEMBLY SALES DRAWING molex
	ANGULAR $\pm 3^\circ$ DRAFT WHERE APPLICABLE MUST REMAIN WITHIN DIMENSIONS	MATERIAL NO. 999999999	DOCUMENT NO. SD-34707-400	SHEET NO. 3 OF 3			
	THIS DRAWING CONTAINS INFORMATION THAT IS PROPRIETARY TO MOLEX INCORPORATED AND SHOULD NOT BE USED WITHOUT WRITTEN PERMISSION						