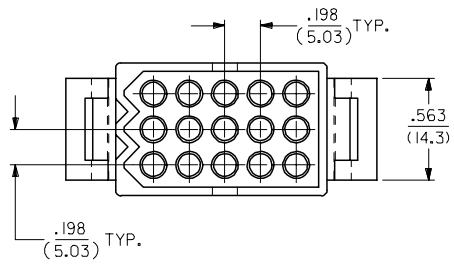
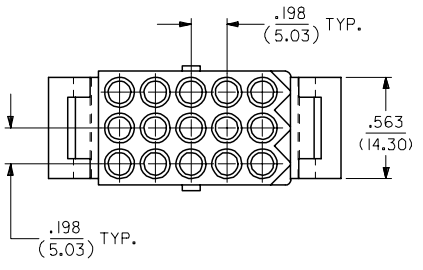
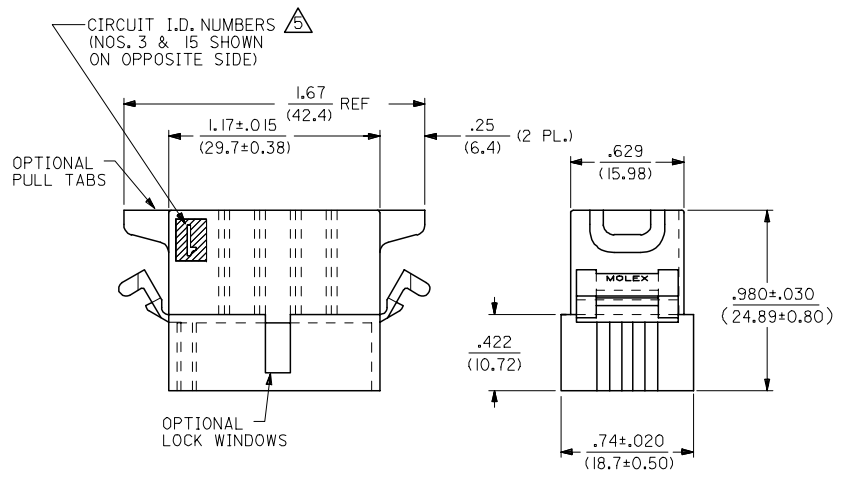
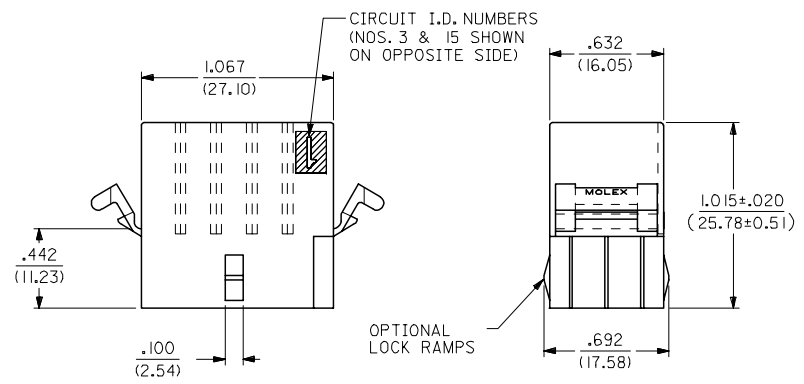
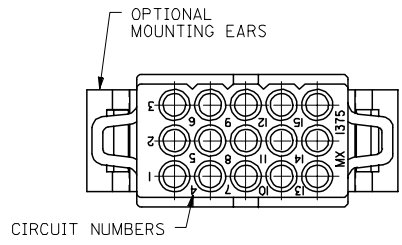
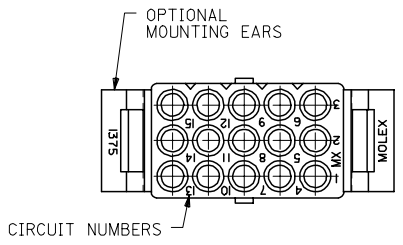


13 12 11 10 9 8 7 6 5 4 3 2 1

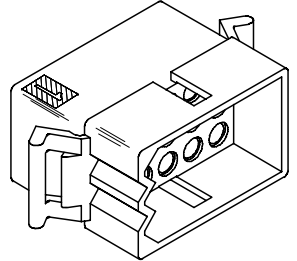
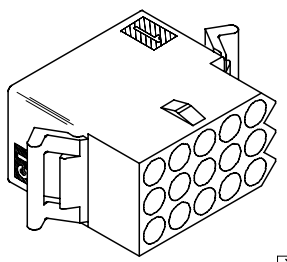
J
I
H
G
F
E
D
C
B
A

J
I
H
G
F
E
D
C
B
A



RECEPTACLE

PLUG



UPDATE TITLE BLOCK EC NO: UCP2007-2415 DRWNAELHAG 2007/04/17 CHKD:LSHMT 2007/05/03 APPR:FSM TH 2007/05/03	QUALITY SYMBOLS 	GENERAL TOLERANCES (UNLESS SPECIFIED)		DIMENSION STYLE IN/MM		SCALE 2:1	DESIGN UNITS INCH	THIRD ANGLE PROJECTION	
		4 PLACES ± --- ± ---	3 PLACES ± --- ± .010	DRAWN BY KBW	DATE 01/14/1989	TITLE .093/(2.36) HOUSINGS PLUG & RECEPTACLE 15 CIRCUIT, .198/(5.03)CL			
		2 PLACES ± 0.25 ± .014	1 PLACE ± 0.35 ± ---	CHECKED BY RW	DATE 01/14/1989	MATERIAL NO. RAS			
		ANGULAR ±1/2°		APPROVED BY DATE 01/14/1989		MOLEX INCORPORATED			
DRAFT WHERE APPLICABLE MUST REMAIN WITHIN DIMENSIONS		SEE CHART		MATERIAL NO. SD-1375-*		DOCUMENT NO.	SHEET NO. 1 OF 2		

12 11 10 9 8 7 6 5 4 3 2 1

PLUG				RECEPTACLE		
ORDER NO	ENG NO	PACKAGING		ORDER NO	ENG NO	PACKAGING
03-09-2151	I375-P	PK-1375-001		03-09-1151	I375-R	PK-1375-001
03-09-2159	I375-P4	PK-1375-002		03-09-1152	I375-R1	PK-1375-001
03-09-2158	I375-P7	PK-1375-001		03-09-1154	I375-R6	PK-1375-001
03-09-7158	I375-P7BK	PK-1375-001	OBSOL.	03-09-1157	I375-R6-1	PK-1375-001
				03-09-6154	I375-R6BK	PK-1375-001

LEGEND FOR PLUG:

1375-P***

OPTIONS: _____

BLANK = W/O EARS, W/ PULL TABS, W/O LOCK WINDOWS
 2 = W/ STANDARD EARS, W/O PULL TABS, W/O LOCK WINDOWS
 4 = W/ PREBENT EARS, W/O PULL TABS, W/ LOCK WINDOWS
 6 = W/O EARS, W/O PULL TABS, W/ LOCK WINDOWS
 7 = W/O EARS, W/ PULL TABS, W/ LOCK WINDOWS
 8 = W/ PREBENT EARS, W/O PULL TABS, W/O LOCK WINDOWS

COLOR: _____

BLANK = NATURAL COLOR
 AM = AMBER BK = BLACK BU = BLUE
 BN = BROWN GY = GRAY GN = GREEN
 OR = ORANGE RD = RED YW = YELLOW

LEGEND FOR RECEPTACLE:

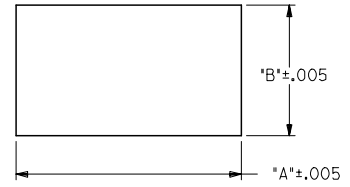
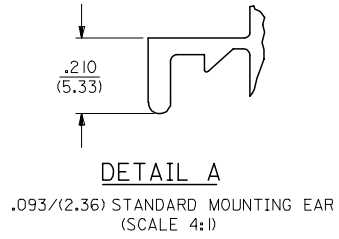
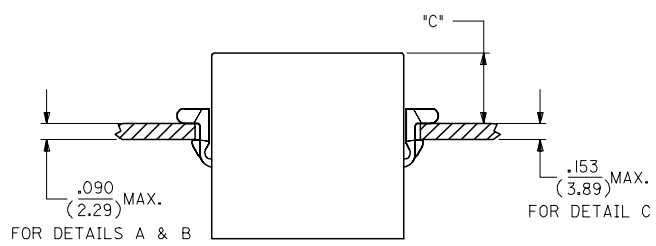
I375-R***

OPTIONS: _____

BLANK = W/ PREBENT EARS, W/O LOCK RAMPS
 1 = W/O EARS, W/O LOCK RAMPS
 6 = W/ STANDARD EARS & LOCK RAMPS
 6-1 = W/O EARS, W/ LOCK RAMPS

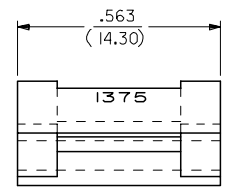
COLOR: _____

BLANK = NATURAL COLOR
 AM = AMBER BK = BLACK BU = BLUE
 BN = BROWN GY = GRAY GN = GREEN
 OR = ORANGE RD = RED YW = YELLOW

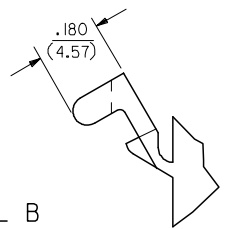


RECOMMENDED PANEL OPENING

HOUSING	DIM. *A*	DIM. *B*	*C* PREBENT EAR	*C* STANDARD EAR	*C* SPECIAL EAR
PLUG	1.343/(34.11)	.760/(19.30)	.40/(10.2)	.36/(9.1)	
RECEPT. W/ RAMPS	1.240/(31.50)	.725/(18.42)	.41/(10.4)	.37/(9.4)	.31/(7.8)
RECEPT. W/O RAMPS	1.240/(31.50)	.655/(16.64)	.41/(10.4)	.37/(9.4)	.31/(7.8)



DETAIL B
 .093/(2.36)PREBENT MOUNTING EAR (SCALE 4:1)



NOTES :

- MATERIAL : NYLON TYPE 6/6, 94V-2.
 - FINISH : NONE.
 - PRODUCT SPECIFICATION : PS-02-09.
 - PACKAGING INFORMATION : SEE CHART.
- ⚠** ETCHED CIRCUIT I.D. NUMBERS ON SIDE OF HOUSINGS TO BE PRESENT ON PARTS FROM TOOLS BUILT AFTER 2/28/94.
- PARTS CONFORM TO CLASS B REQUIREMENTS OF COSMETIC SPECIFICATION PS-45499-002.

ADD NOTES 2, 4 & 6
 EC NO: UCP2007-2415
 DRWNAELHAG 2007/04/17
 CHKD:LSHMDT 2007/05/03
 APPR:FSM TH 2007/05/03

REVISIONS
 AE

QUALITY SYMBOLS
 ▽=0
 ▽=0

GENERAL TOLERANCES (UNLESS SPECIFIED)

	mm	INCH
4 PLACES	± .010	± .0004
3 PLACES	± .012	± .0005
2 PLACES	± 0.25	± .010
1 PLACE	± 0.35	± .014

ANGULAR ±1/2°

DRAFT WHERE APPLICABLE MUST REMAIN WITHIN DIMENSIONS

DIMENSION STYLE IN/MM

DRAWN BY KBW DATE 6/14/1989

CHECKED BY RW DATE 6/14/1989

APPROVED BY RAS DATE 6/14/1989

MATERIAL NO.

SIZE C

SEE CHART

SCALE 1:1

DESIGN UNITS INCH

THIRD ANGLE PROJECTION

.093/(2.36) HOUSINGS PLUG & RECEPTACLE 15 CIRCUIT, .198/(5.03)CL

molex MOLEX INCORPORATED

DOCUMENT NO. SD-1375-*

SHEET NO. 2 OF 2

THIS DRAWING CONTAINS INFORMATION THAT IS PROPRIETARY TO MOLEX INCORPORATED AND SHOULD NOT BE USED WITHOUT WRITTEN PERMISSION