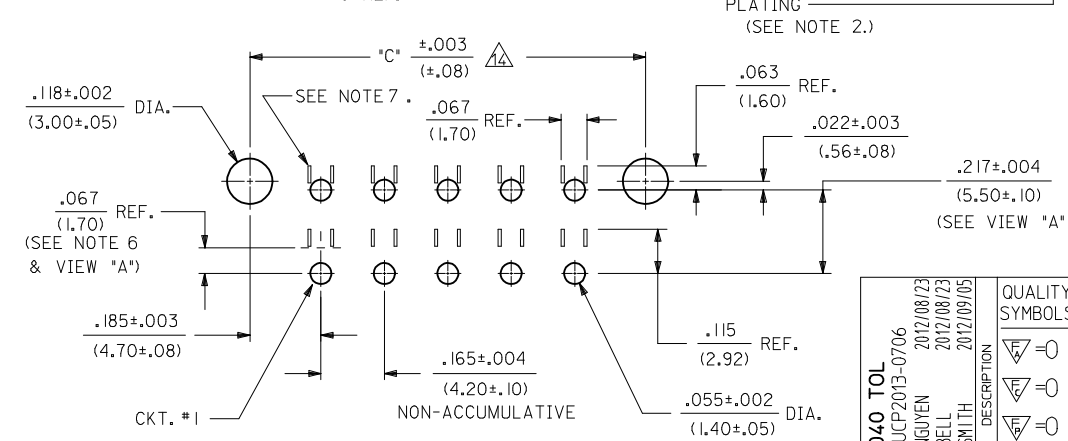
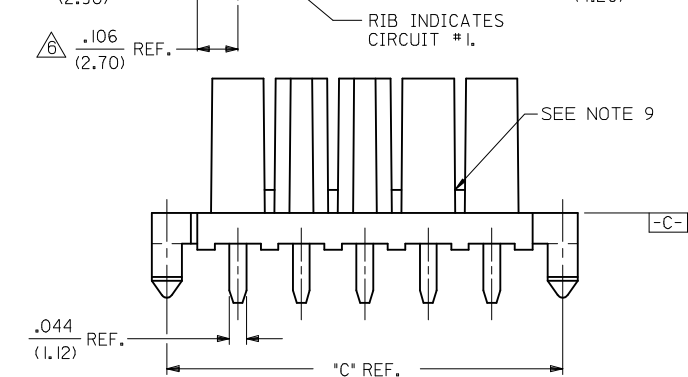
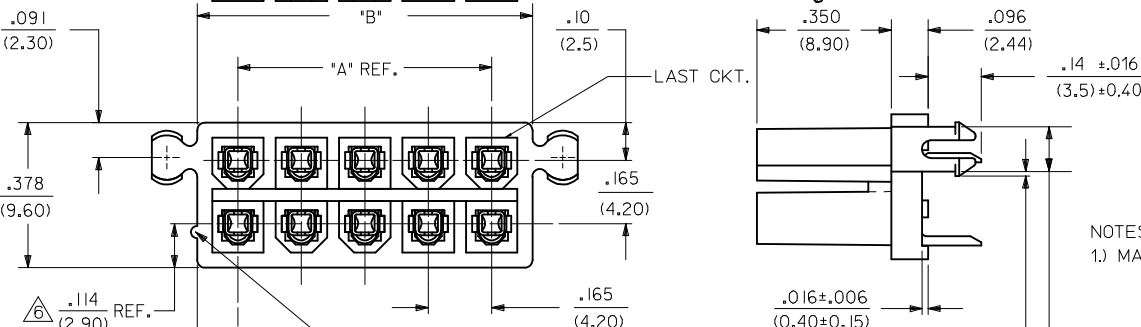


CIRCUIT SIZE	DIM. "A"	DIM. "B"	DIM. "C"
2	—	.21 (5.4)	.370 (9.40)
4	.165 (4.20)	.38 (9.6)	.535 (13.60)
6	.331 (8.40)	.54 (13.8)	.701 (17.80)
8	.496 (12.60)	.71 (18.0)	.866 (22.00)
10	.661 (16.80)	.87 (22.2)	1.031 (26.20)
12	.827 (21.00)	1.04 (26.4)	1.197 (30.40)
14	.992 (25.20)	1.20 (30.6)	1.362 (34.60)
16	1.157 (29.40)	1.37 (34.8)	1.528 (38.80)
18	1.323 (33.60)	1.54 (39.0)	1.693 (43.00)
20	1.488 (37.80)	1.70 (43.2)	1.858 (47.20)
22	1.654 (42.00)	1.87 (47.4)	2.024 (51.40)
24	1.819 (46.20)	2.03 (51.6)	2.189 (55.60)



- NOTES:
- MATERIAL:
 - HOUSING:
 - 1 = NYLON 6/6, UNFILLED U.L. 94V-2, COLOR: NATURAL.
 - 2 = NYLON 6/6, UNFILLED U.L. 94V-0, COLOR: NATURAL.
 - TERMINAL: COPPER ALLOY
 - FINISH:
 - 1 = .000100/(.00254) MIN. MATTE TIN OVER .000050/(.00127) MIN. NICKEL OVERALL.
 - 2 = .000030/(.00076) MIN. SELECT GOLD, .000100/(.00254) MIN. MATTE TIN OVER .000050/(.00127) MIN. NICKEL OVERALL.
 - PRODUCT SPECIFICATION: PS-45750-001
 - PACKAGING SPECIFICATION: PK-42385-999
 - PART MATES WITH MINI-FIT B.M.I. PLUG 42475 WITH 46012 TERMINALS, HEADER NO'S 42404, 43810, 44068 AND MINI-FIT PLUS H.C.S. VERTICAL HEADER 46011.
 - DIMENSION TO BE USED FOR ALIGNMENT OF CKT. #1 OF MATING CONNECTOR.
 - PHANTOM LINES INDICATE AREAS WHERE TERMINAL STANDOFFS CONTACT P.C. BOARD.
 - .016/(.40) MAX. BOW PER INCH ALLOWABLE AT DATUM ---C---
 - RIBS MAY NOT BE PRESENT ON ALL PARTS.
 - CONNECTOR ASSEMBLIES ARE NOT TO BE MATED OR UNMATED WHILE CIRCUITS ARE LIVE.
 - THIS PART CONFORMS TO CLASS B REQUIREMENT OF COSMETIC SPECIFICATION PS-45499-002.
 - WHEN THIS PRODUCT IS USED IN A BLIND MATING APPLICATION, THE SYSTEM LEVEL DESIGN MUST INCORPORATE GUIDANCE SO THE CONNECTORS ARE WITHIN THE CAPTURE ENVELOPE (UP TO .100/(2.54) MISALIGNMENT) OF THE FLANGES ON THE HEADER OR PLUG HOUSING AND CAN THUS ALIGN THEMSELVES AS THEY COME TOGETHER. FLOAT IS ALSO REQUIRED IN THE OVERALL DESIGN, TO ALLOW THE PCB RECEPTACLE OR IT'S MATE TO MOVE INTO A STRESS-FREE POSITION AFTER MATING. IN BOARD TO BOARD APPLICATIONS, ONLY ONE HEADER IS ALLOWED PER P.C. BOARD
 - PARTS NOT DESIGNED FOR CURRENT SHARING.
 - IT IS RECOMMENDED TO USE THE 42475 SERIES MATING PART NUMBER WITHOUT TERMINALS TO AID IN PCB INSERTION. INSERT THE 46010 PART INTO THE 42475 PART AND THEN INSERT INTO THE PCB.

LEGEND:

46010 - *** **

BASE NUMBER

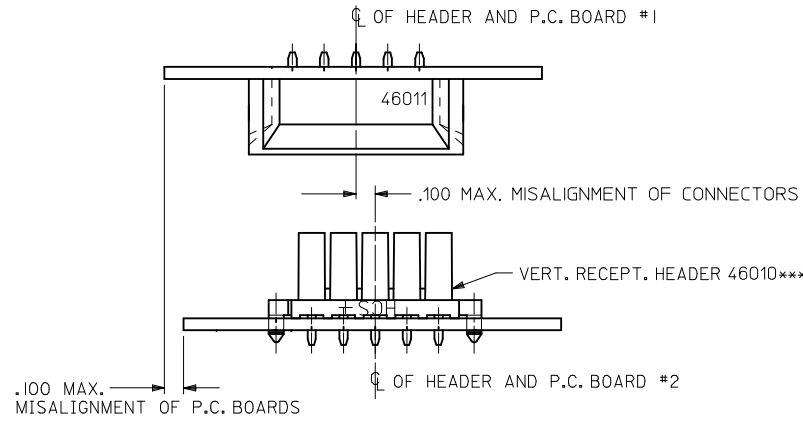
CIRCUIT SIZE (02-24)

HOUSING MATERIAL (SEE NOTE 1.)

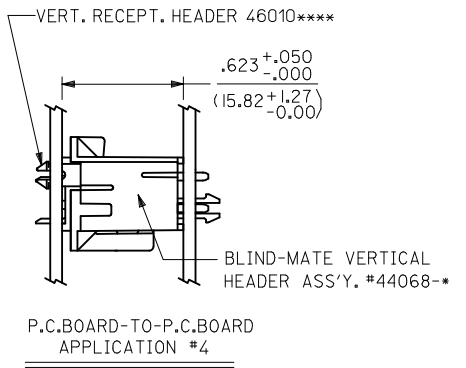
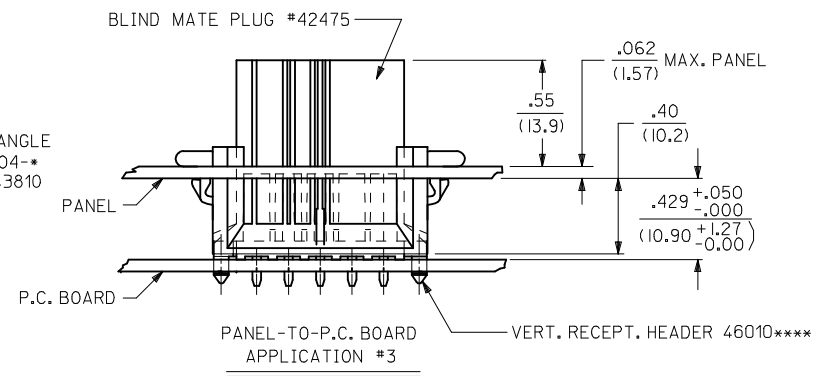
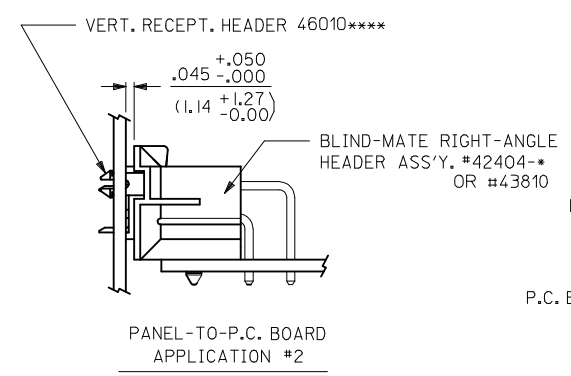
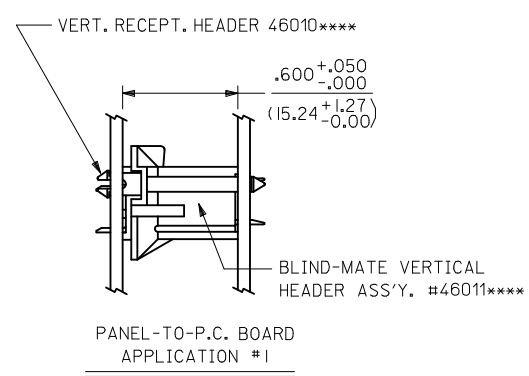
PLATING (SEE NOTE 2.)

REV	DESCRIPTION	QUALITY SYMBOLS
B2	ADD .040 TOL EC NO: UCP2013-0706 2012/08/23 DRWINHUYEN 2012/08/23 CHKD: BELL 2012/09/05 APPR: FSNITH	

GENERAL TOLERANCES (UNLESS SPECIFIED)		DIMENSION STYLE IN/MM		SCALE 4:1	DESIGN UNITS METRIC	THIRD ANGLE PROJECTION
mm	INCH	DRAWN BY	DATE	TITLE	VERTICAL RECEPTACLE HEADER ASSEMBLY, BMI MINI-FIT PLUS HCS SERIES	
4 PLACES	± ---	TGREGORI	2005/08/30			
3 PLACES	± ---	CHECKED BY	DATE			
2 PLACES	± 0.25	JCOMERC I	DATE			
1 PLACE	± 0.38	APPROVED BY	DATE			
0 PLACE	±	JCOMERC I	DATE			
ANGULAR ±1/2°				MATERIAL NO.	DOCUMENT NO.	SHEET NO.
DRAFT WHERE APPLICABLE MUST REMAIN WITHIN DIMENSIONS				SEE SHEET 3	SD-46010-001	1 OF 3
THIS DRAWING CONTAINS INFORMATION THAT IS PROPRIETARY TO MOLEX INCORPORATED AND SHOULD NOT BE USED WITHOUT WRITTEN PERMISSION						



ALIGNMENT TOLERANCES FOR .100 MAX. BOARD-TO-BOARD MISALIGNMENT
(NO CONNECTOR FLOAT)



SEE SHEET 1 IEC NO: UCP2013-0706 2012/08/23 DRWINANGUYEN 2012/08/23 CHKD:JBELL APPR:FSMITH 2012/09/05	QUALITY SYMBOLS	GENERAL TOLERANCES (UNLESS SPECIFIED)	DIMENSION STYLE	SCALE	DESIGN UNITS	THIRD ANGLE PROJECTION
	▽=0	mm INCH	IN/MM	4:1	METRIC	
	▽=0	4 PLACES ± --- ± ---	DRAWN BY DATE			TITLE
	▽=0	3 PLACES ± --- ± .010	TGREGORI 2005/08/30			VERTICAL RECEPTACLE HEADER ASSEMBLY, BMI MINI-FIT PLUS HCS SERIES
▽=0	2 PLACES ± 0.25 ± .015	CHECKED BY DATE				molex DOCUMENT NO. SD-46010-001 SHEET NO. 2 OF 3
▽=0	1 PLACE ± 0.38 ± ---	JCOMERCI				
REV	DESCRIPTION	APPROVED BY DATE	MATERIAL NO.	THIS DRAWING CONTAINS INFORMATION THAT IS PROPRIETARY TO MOLEX INCORPORATED AND SHOULD NOT BE USED WITHOUT WRITTEN PERMISSION		
B2		JCOMERCI	SEE SHEET 3			

	13	12	11	10	9	8	7	6	5	4	3	2	1
	ITEM NUMBER	CKT. SIZE	HOUSING MATERIAL	PLATING (SEE NOTE 2)	ITEM NUMBER	CKT. SIZE	HOUSING MATERIAL	PLATING (SEE NOTE 2)					
J	* 460100211	2	94V-2	I	* 460100222	2	94V-0	2					
	↑ 0411	4	↑	↑	↑ 0422	4	↑	↑					
	0611	6			0622	6							
I	* 0811	8			* 0822	8							
	1011	10			1022	10							
	* 1211	12			* 1222	12							
	1411	14			1422	14							
	1611	16			1622	16							
H	1811	18			1822	18							
	* 2011	20			* 2022	20							
	* 2211	22			* 2222	22							
	↓ 460102411	24	94V-2	I	↓ 460102422	24	94V-0	2					
G	* 460100221	2	94V-0	I	* 460100212	2	94V-2	2					
	↑ 0421	4	↑	↑	↑ 0412	4	↑	↑					
	0621	6			0612	6							
F	* 0821	8			* 0812	8							
	1021	10			1012	10							
	* 1221	12			* 1212	12							
	1421	14			1412	14							
	1621	16			1612	16							
E	1821	18			1812	18							
	* 2021	20			* 2012	20							
	* 2221	22			* 2212	22							
	↓ 460102421	24	94V-0	I	↓ 460102412	24	94V-2	2					

*CONSULT FACTORY FOR AVAILABILITY

SEE SHEET 1 EC NO: UCP2013-0706 2012/08/23 DRAWING: NGUYEN 2012/08/23 CHKD: BELLE 2012/09/05 APPR: FSMITH	QUALITY SYMBOLS	GENERAL TOLERANCES (UNLESS SPECIFIED)	DIMENSION STYLE		SCALE	DESIGN UNITS	THIRD ANGLE PROJECTION	
	▽=0		IN/MM					
	▽=0		mm	INCH	DRAWN BY	DATE		TITLE
	▽=0		4 PLACES ± ---	± ---	TGREGORI	2005/08/30		VERTICAL RECEPTACLE HEADER ASSEMBLY, BMI MINI-FIT PLUS HCS SERIES
				CHECKED BY	DATE			
				JCOMERC I				
				APPROVED BY	DATE			
				JCOMERC I				
				MATERIAL NO.		DOCUMENT NO.	SHEET NO.	
				SEE CHART		SD-46010-001	3 OF 3	
				DRAFT WHERE APPLICABLE MUST REMAIN WITHIN DIMENSIONS				
				THIS DRAWING CONTAINS INFORMATION THAT IS PROPRIETARY TO MOLEX INCORPORATED AND SHOULD NOT BE USED WITHOUT WRITTEN PERMISSION				