

60mm sq.

San Ace 60

28mm thick, 38mm thick



General Specifications

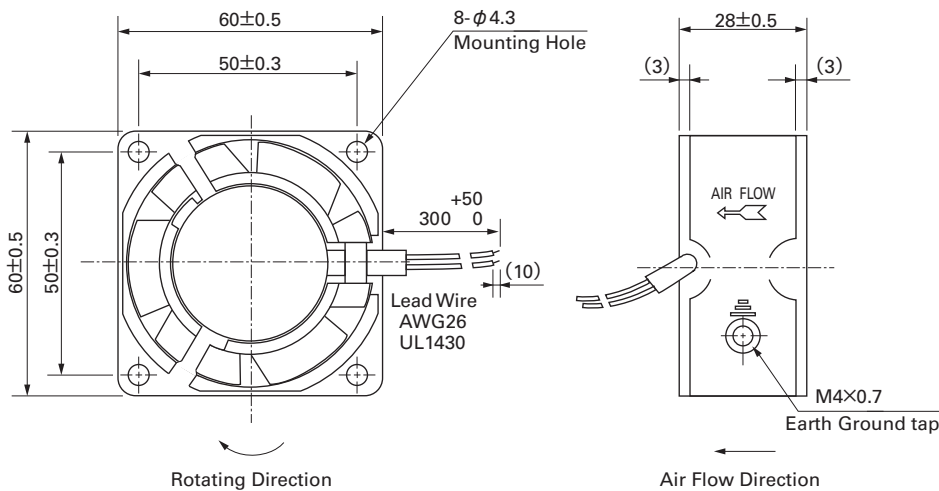
- Material..... Frame: Aluminum, Impeller:Plastics (Flammability: UL94V-1)
- Life ExpectancyVaries for each model (L10: Survival rate: 90% at 60°C ,
rated voltage, and continuously run in a free air state)
- Dielectric Strength50/60Hz 1,500VAC 1minute (between lead conductor and frame)
- Lead Wireblack, 2pcs
- Storage Temperature-30°C to +70°C (Non-condensing)

60×60×28mm (Mass : 120g)

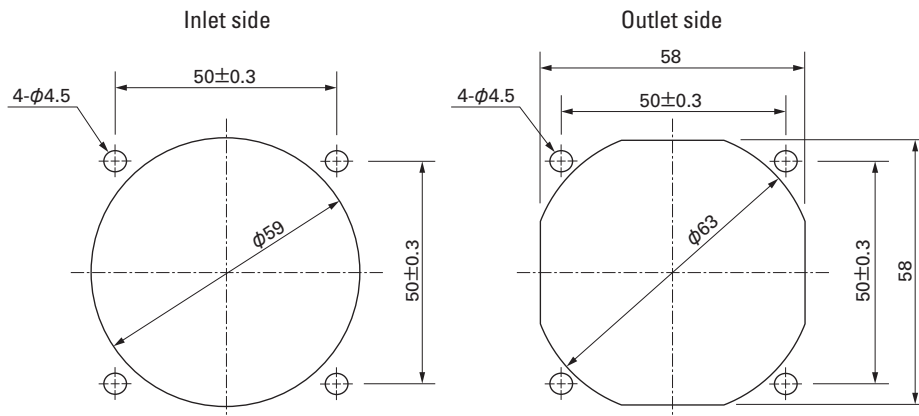
Specifications

Model No.	Voltage [V]	Frequency [Hz]	Input [W]	Current [A]	Locked Rotor Current [A]	Rated Speed [min ⁻¹]	Air Flow [m ³ /min] [CFM]	Static Pressure [Pa] [inchHzO]	SPL [dB(A)]	Operating Temperature [°C]	Life Expectancy [h]
109-180	100	50/60	5/4	0.06/0.05	0.07/0.06	2,250/2,700	0.27/0.33 9.5/11.7	11.8/18.6 0.047/0.075	24/26	-30 to +70	25,000
109-183	115				0.06/0.05						

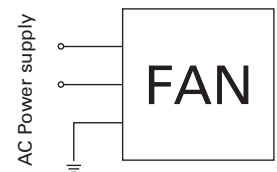
Dimensions (Unit : mm)



Reference dimension of mounting holes and vent opening (Unit : mm)



Wiring diagram

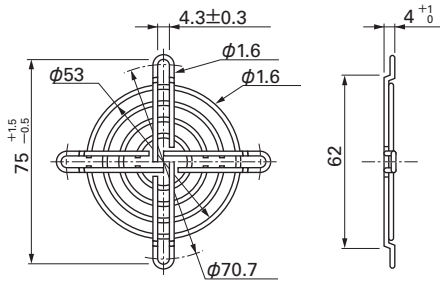


Options (Unit : mm)

Finger guards

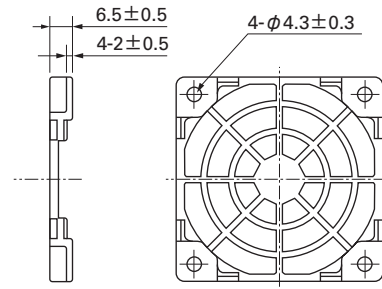
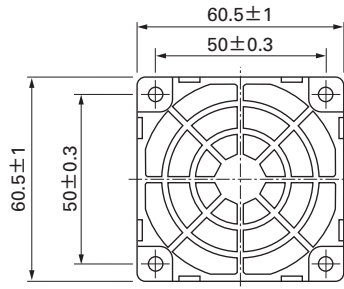
Model : 109-139E Surface treatment : Nickel-chrome plating (silver) Color (silver)
 : 109-139H : Cation electropainting (black)

Inlet side, Outlet side



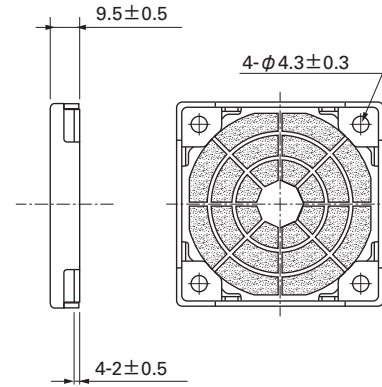
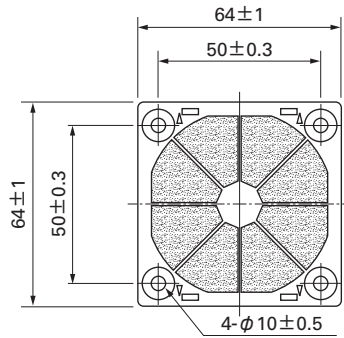
Resin finger guards

Model : 109-1003G

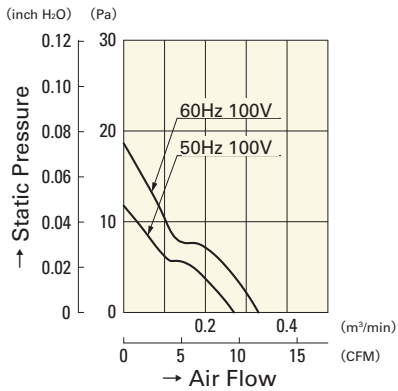


Resin filter kits

Model : 109-1003F13 (13PPI), 109-1003F20 (20PPI)
 : 109-1003F30 (30PPI), 109-1003F40 (40PPI)



Air Flow and Static Pressure Characteristics



109-180

109-183

Mouser Electronics

Authorized Distributor

Click to View Pricing, Inventory, Delivery & Lifecycle Information:

[Sanyo Denki:](#)

[109-180](#) [109-183](#)