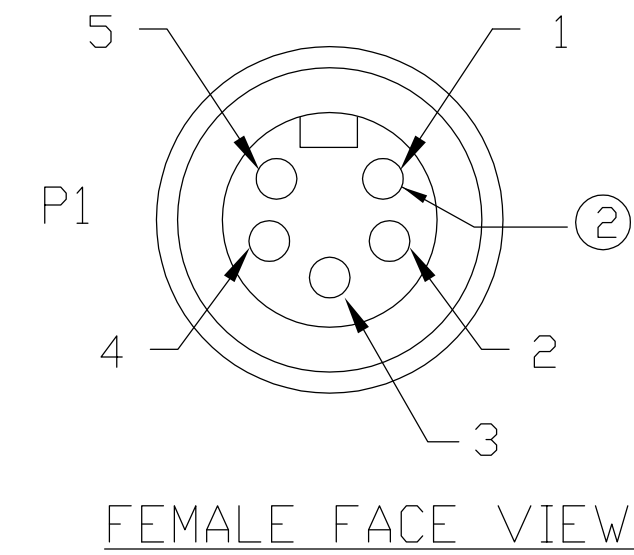
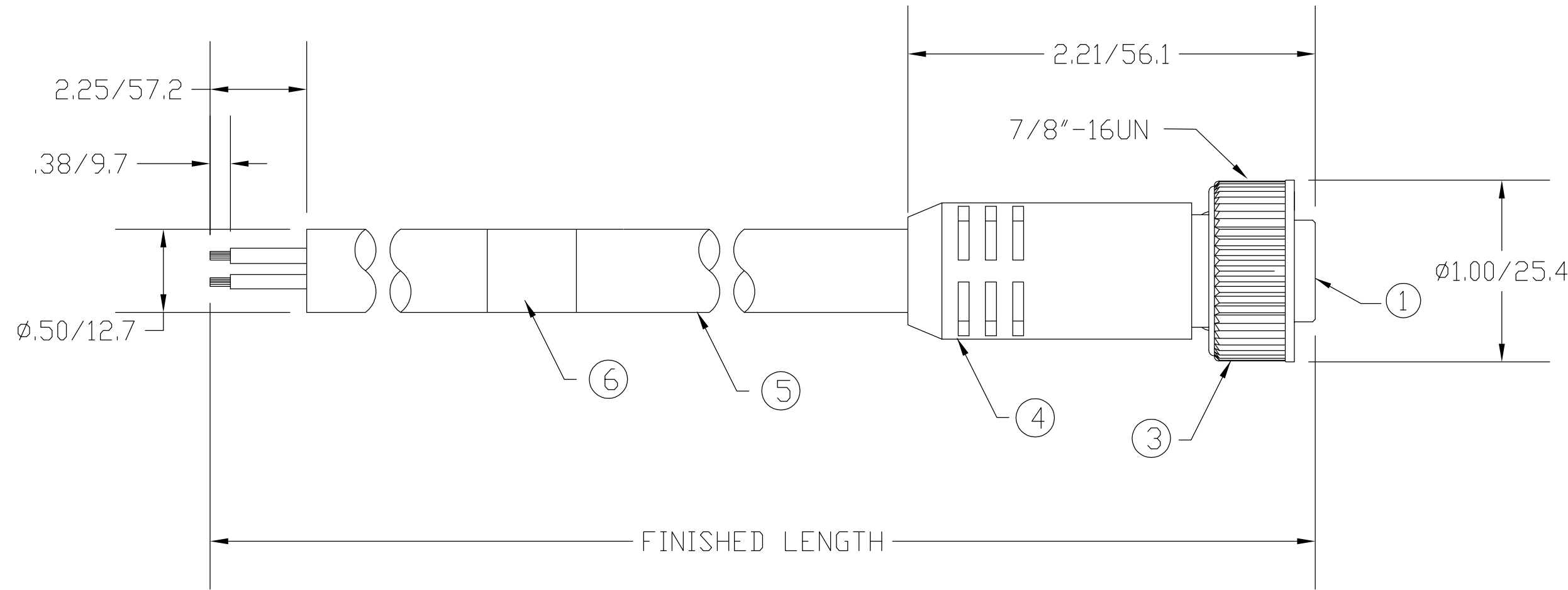
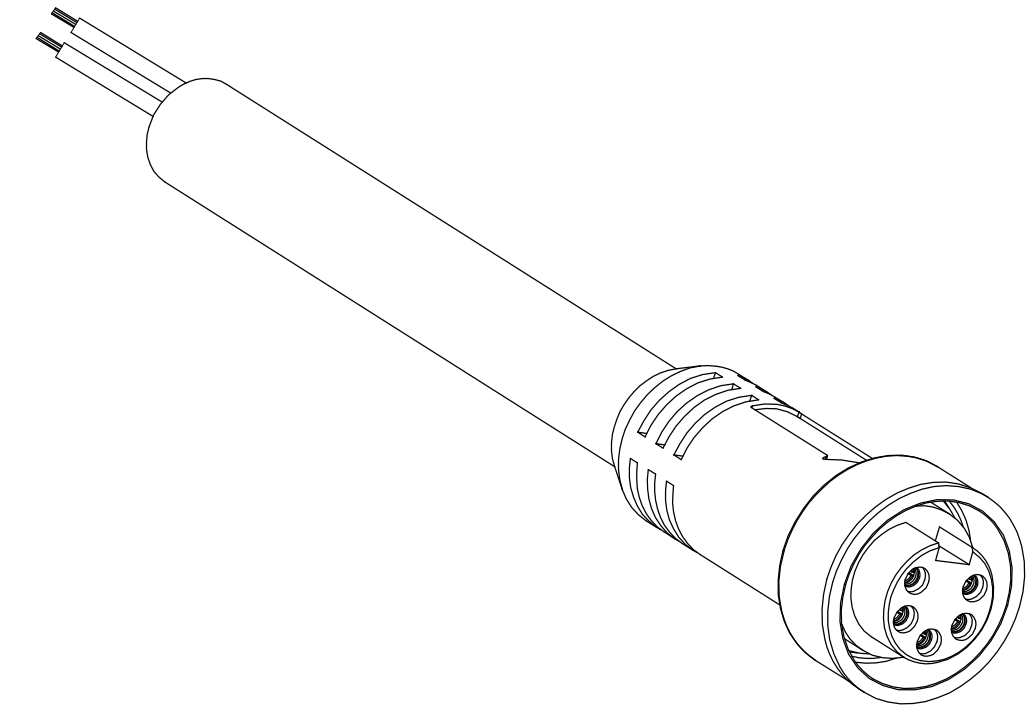


MATERIAL NUMBER	OLD PART NUMBER	FINISHED LENGTH
130006-1160	105000A01F030	3.00' +1.75" -0 [9M +44.5 -0]
130006-1163	105000A01F060	6.00' +3.50" -0 [1.8M +88.9 -0]
130006-1168	105000A01F090	9.00' +3.50" -0 [2.7M +88.9 -0]
130006-1171	105000A01F120	12.00' +6.50" -0 [3.7M +165.1 -0]
130006-1174	105000A01F150	15.00' +6.50" -0 [4.6M +165.1 -0]
130006-1178	105000A01F180	18.00' +6.50" -0 [5.5M +165.1 -0]
130006-1179	105000A01F200	20.00' +6.50" -0 [6.1M +165.1 -0]
130006-1183	105000A01F250	25.00' +12.50" -0 [7.6M +317.5 -0]

MATERIAL NUMBER	OLD PART NUMBER	FINISHED LENGTH
130006-1186	105000A01F300	30.00' +12.50" -0 [9.1M +317.5 -0]
130006-1190	105000A01F350	35.00' +12.50" -0 [10.7M +317.5 -0]
130006-1192	105000A01F400	40.00' +12.50" -0 [12.2M +317.5 -0]
130006-1195	105000A01F450	45.00' +12.50" -0 [13.7M +317.5 -0]
130006-1198	105000A01F500	50.00' +24.50" -0 [15.2M +622.3 -0]



P1

1	WHITE
2	RED
3	GREEN-YELLOW
4	ORANGE
5	BLACK

WIRING DIAGRAM

VOLTAGE RATING	600 VAC/VDC
AMPERAGE RATING	8 AMPS
PROTECTION	IP67
OPERATING TEMPERATURE	-20°C TO 105°C
UL CERTIFICATIONS	UL RECOGNIZED, FILE NO. E46237
CSA CERTIFICATIONS	CSA CERTIFIED, FILE NO. LR6837

ITEM	COMPONENT	MATERIAL	FINISH
1	INSERT	PVC	YELLOW
2	CONTACT SOCKET	COPPER ALLOY	GOLD OVER NICKEL
3	COUPLING NUT	ZINC DIE CAST	BLACK E-COATED
4	OVERMOLD	PVC	YELLOW
5	CABLE- 16 AWG, (65 x #34 COPPER STRANDING) 5 CONDUCTOR 600V, UL ST00W, CSA ST	PVC	YELLOW
6	LABEL	MYLAR	BLACK/YELLOW

RLSD DRAWING
 EC NO: WNA2009-0624
 DRWN: BWOODMAN 3/20/09
 CH'KD: JM
 APPR: JFMURPHY 2009/04/01

QUALITY SYMBOL	DESCRIPTION
▽=0	
∇=0	

GENERAL TOLERANCES (UNLESS SPECIFIED)		DIMENSION STYLE	
	mm	IN/MM	SCALE
4 PLACES	±----	±----	----
3 PLACES	±----	±----	----
2 PLACES	±----	±.01	----
1 PLACE	±0.3	±----	----
ANGULAR ±----°			

DESIGN UNITS: THIRD ANGLE PROJECTION

TITLE: **MINI-CHANGE 5P FP CORDSET**

MOLEX INCORPORATED

MATERIAL NO. **SEE CHART** DOCUMENT NO. **SD-130006-001** SHEET NO. **1 OF 1**

THIS DRAWING CONTAINS INFORMATION THAT IS PROPRIETARY TO MOLEX INCORPORATED AND SHOULD NOT BE USED WITHOUT WRITTEN PERMISSION

DRAFT WHERE APPLICABLE MUST REMAIN WITHIN DIMENSIONS

Mouser Electronics

Authorized Distributor

Click to View Pricing, Inventory, Delivery & Lifecycle Information:

[Molex:](#)

[1300061171](#)