

## 7 mm PRECISION HIGH-DIRECTIVITY DIRECTIONAL COUPLERS

- Exceptionally High Directivity
- Extended Octaves
- Precision Connectors
- Increased Dynamic Range
- Allows Swept Measurements with High Accuracy

### SPECIFICATIONS

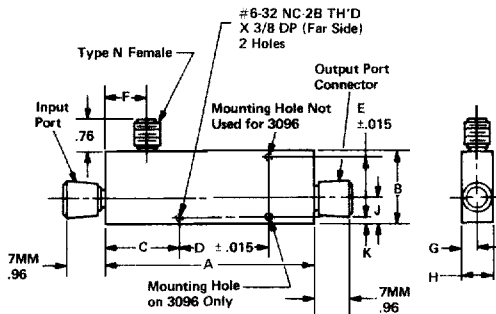
FREQUENCY RANGE (GHz)	MODEL	NOMINAL COUPLING (dB)	DIRECTIVITY dB (Min)	VSWR		FREQUENCY SENSITIVITY (dB) Max	ABSOLUTE CALIBRATION ACCURACY (dB)	POWER* (Watts) AVG. (dB)	WEIGHT (Max)	
				PRIMARY LINE	SECONDARY LINE Max				Oz	Gr
0.95-2.2	3092	10	45	1.10	1.10	±1.2	±0.1	5	13	369
1.7-4.2	3093	10	42	1.10	1.10	±1.2	±0.1	5	11	312
3.7-8.3	3094	10	37	1.20	1.20	±1.2	±0.1	5	20	567
7-12.4	3095	10	33	1.20	1.25	±1.2	±0.1	5	14	397
7-18	3096	10	25	1.25	1.30	±1.5	±0.1	5	15	425

Primary input and output connectors are 7 mm.  
Secondary line connectors are Type N female.

\*Power rating of 5 watts into an open circuited load (VSWR=∞)

NOTE: Custom order models available upon request. Consult the factory.

OUTLINE DRAWINGS



MODEL	A	B	C	D	E	F	G	H	J	K	Mtg. Holes Dia. or Thread
3092	4.69	1.76	.51	3.000	1.375	.51	.38	.76	.64	.20	6-32 NC-2B Tapped Holes 3/8 DP 2 Places
3093	3.97	1.60	.51	3.000	1.218	.51	.38	.76	.63	.20	
3094	7.58	1.76	.89	5.000	1.375	.50	.38	.76	.63	.20	
3095	5.05	1.44	.89	3.000	1.062	.63	.44	.88	.63	.20	8-32 NC-2B Tapped Holes 7/16 DP 2 Places
3096	5.24	1.51	.76	3.732	—	.91	.44	.88	.70	.22	

All dimensions are Max. unless otherwise specified.