

SPECIFICATIONS:

1. MATERIAL:

- (1). SCREW: STEEL
- (2). COVER: NYLON 66 (PA 66)
- (3). TERMINAL: PHOSPHOR BRONZE
- (4). CAGE (*): BRASS
- (5). BODY: NYLON 66 (PA 66)
- (6). SCREW: STEEL.

2. PRODUCT SPECIFICATION: PS-39500-001

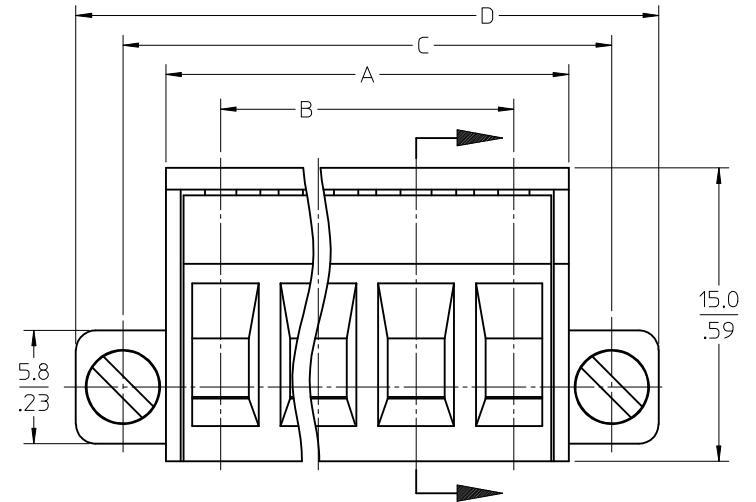
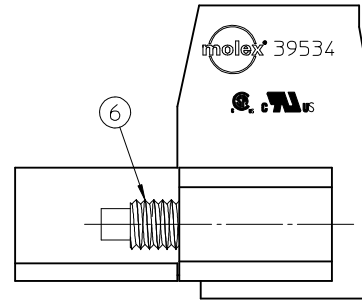
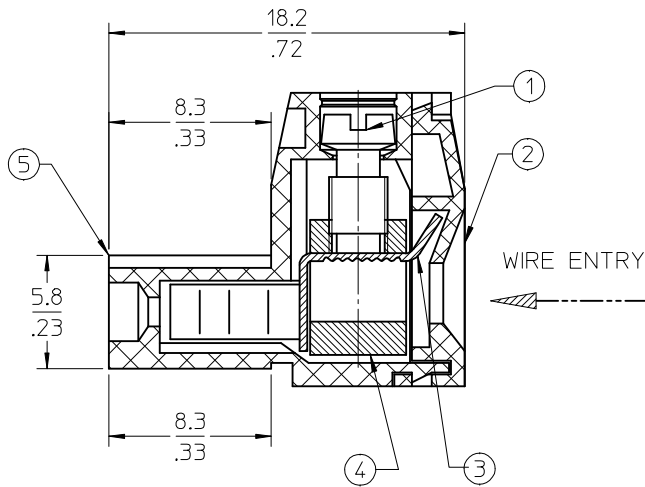
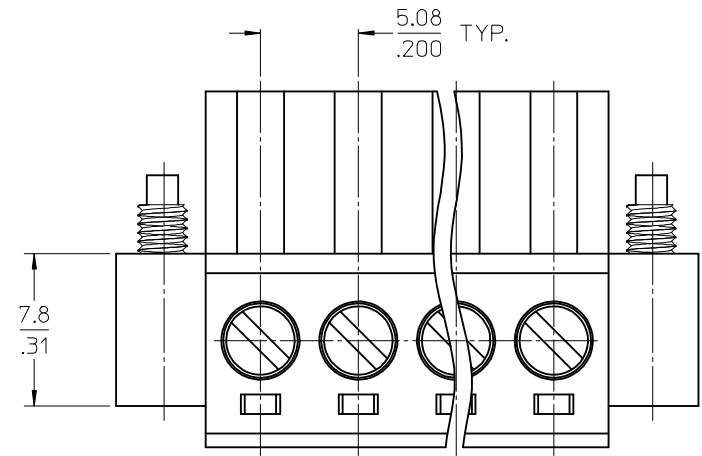
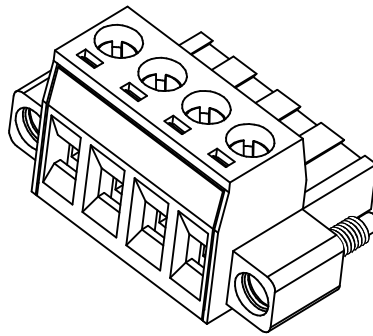
3. WIRE RANGE: 30 - 12AWG.

4. WIRE STRIP LENGTH: 6.50/.256

5. TORQUE: 5 in-lbs.

6. NUMBER OF CIRCUIT POSITIONS AVAILABLE = 2 THROUGH 24

7. ASSEMBLY IS ROHS COMPLIANT

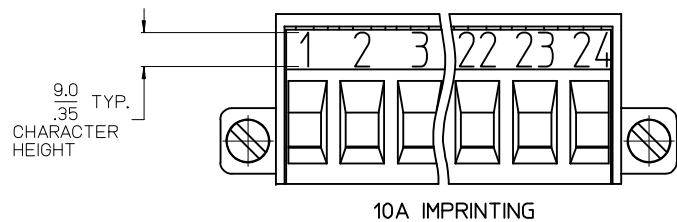


ⓓ

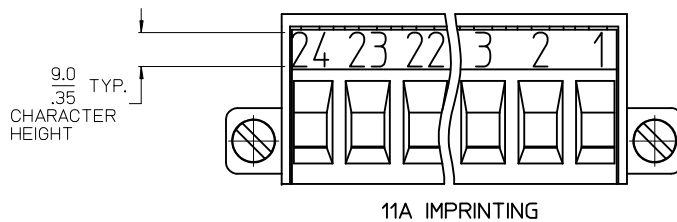
REF. THIS DRAWING SUPERSEDES SD-39534-001 REV-C DATED 2005/12/06

SEE SHEET 2 EC NO: IPG2015-1705 DRW:RSTONE 2015/03/31 CHK:D.B ARDEN 2015/04/01 APPR: B.WOODMAN 2015/04/07	DESCRIPTION REV	QUALITY SYMBOLS	GENERAL TOLERANCES (UNLESS SPECIFIED)	DIMENSION STYLE	SCALE	DESIGN UNITS	THIRD ANGLE PROJECTION	
		▼=0 ▽=0	mm INCH 4 PLACES ± --- ± --- 3 PLACES ± --- ± .005 2 PLACES ± 0.13 ± .01 1 PLACE ± 0.3 ± --- 0 PLACE ± --- ± ---	MM/IN	1:1	METRIC	THIRD ANGLE PROJECTION 5.08MM EURO PLUG RIGHT ANGLE MOUNTING ENDS	
		ANGULAR ± ---° DRAFT WHERE APPLICABLE MUST REMAIN WITHIN DIMENSIONS	DRAWN BY DATE RSTONE 2015/03/31 CHECKED BY DATE B ARDEN 2015/04/01 APPROVED BY DATE B.WOODMAN 2015/04/07	TITLE			DOCUMENT NO. SD-39534-001	SHEET NO.
			SEE SHEET 2					1 OF 2
THIS DRAWING CONTAINS INFORMATION THAT IS PROPRIETARY TO MOLEX INCORPORATED AND SHOULD NOT BE USED WITHOUT WRITTEN PERMISSION								

Circuit size	Material Numbers												Dimensional Information							
	Black						Green						Dim. A		Dim. B		Dim. C		Dim. D	
	100% Tin Printing Options			30 u" Gold Printing Options			100% Tin Printing Options			30 u" Gold Printing Options			mm	inch	mm	inch	mm	inch	mm	inch
	None	10A	11A	None	10A	11A	None	10A	11A	None	10A	11A								
2	395340002	395340102	395340202	395340502	395340602	395340702	395345002	395345102	395345202	395345502	395345602	395345702	10.2	0.40	5.08	0.200	15.2	0.60	20.1	0.79
3	395340003	395340103	395340203	395340503	395340603	395340703	395345003	395345103	395345203	395345503	395345603	395345703	15.2	0.60	10.16	0.400	20.1	0.79	25.1	0.99
4	395340004	395340104	395340204	395340504	395340604	395340704	395345004	395345104	395345204	395345504	395345604	395345704	20.3	0.80	15.24	0.600	25.1	0.99	30.2	1.19
5	395340005	395340105	395340205	395340505	395340605	395340705	395345005	395345105	395345205	395345505	395345605	395345705	25.4	1.00	20.32	0.800	30.2	1.19	35.3	1.39
6	395340006	395340106	395340206	395340506	395340606	395340706	395345006	395345106	395345206	395345506	395345606	395345706	30.5	1.20	25.40	1.000	35.3	1.39	40.4	1.59
7	395340007	395340107	395340207	395340507	395340607	395340707	395345007	395345107	395345207	395345507	395345607	395345707	35.6	1.40	30.48	1.200	40.4	1.59	45.5	1.79
8	395340008	395340108	395340208	395340508	395340608	395340708	395345008	395345108	395345208	395345508	395345608	395345708	40.6	1.60	35.56	1.400	45.5	1.79	50.5	1.99
9	395340009	395340109	395340209	395340509	395340609	395340709	395345009	395345109	395345209	395345509	395345609	395345709	45.7	1.80	40.64	1.600	50.5	1.99	55.6	2.19
10	395340010	395340110	395340210	395340510	395340610	395340710	395345010	395345110	395345210	395345510	395345610	395345710	50.8	2.00	45.72	1.800	55.6	2.19	60.7	2.39
11	395340011	395340111	395340211	395340511	395340611	395340711	395345011	395345111	395345211	395345511	395345611	395345711	55.9	2.20	50.80	2.000	60.7	2.39	65.8	2.59
12	395340012	395340112	395340212	395340512	395340612	395340712	395345012	395345112	395345212	395345512	395345612	395345712	61.0	2.40	55.88	2.200	65.8	2.59	70.9	2.79
13	395340013	395340113	395340213	395340513	395340613	395340713	395345013	395345113	395345213	395345513	395345613	395345713	66.0	2.60	60.96	2.400	70.9	2.79	75.9	2.99
14	395340014	395340114	395340214	395340514	395340614	395340714	395345014	395345114	395345214	395345514	395345614	395345714	71.1	2.80	66.04	2.600	75.9	2.99	81.0	3.19
15	395340015	395340115	395340215	395340515	395340615	395340715	395345015	395345115	395345215	395345515	395345615	395345715	76.2	3.00	71.12	2.800	81.0	3.19	86.1	3.39
16	395340016	395340116	395340216	395340516	395340616	395340716	395345016	395345116	395345216	395345516	395345616	395345716	81.3	3.20	76.20	3.000	86.1	3.39	91.2	3.59
17	395340017	395340117	395340217	395340517	395340617	395340717	395345017	395345117	395345217	395345517	395345617	395345717	86.4	3.40	81.28	3.200	91.2	3.59	96.3	3.79
18	395340018	395340118	395340218	395340518	395340618	395340718	395345018	395345118	395345218	395345518	395345618	395345718	91.4	3.60	86.36	3.400	96.3	3.79	101.3	3.99
19	395340019	395340119	395340219	395340519	395340619	395340719	395345019	395345119	395345219	395345519	395345619	395345719	96.5	3.80	91.44	3.600	101.3	3.99	106.4	4.19
20	395340020	395340120	395340220	395340520	395340620	395340720	395345020	395345120	395345220	395345520	395345620	395345720	101.6	4.00	96.52	3.800	106.4	4.19	111.5	4.39
21	395340021	395340121	395340221	395340521	395340621	395340721	395345021	395345121	395345221	395345521	395345621	395345721	106.7	4.20	101.60	4.000	111.5	4.39	116.6	4.59
22	395340022	395340122	395340222	395340522	395340622	395340722	395345022	395345122	395345222	395345522	395345622	395345722	111.8	4.40	106.68	4.200	116.6	4.59	121.7	4.79
23	395340023	395340123	395340223	395340523	395340623	395340723	395345023	395345123	395345223	395345523	395345623	395345723	116.8	4.60	111.76	4.400	121.7	4.79	126.7	4.99
24	395340024	395340124	395340224	395340524	395340624	395340724	395345024	395345124	395345224	395345524	395345624	395345724	121.9	4.80	116.84	4.600	126.7	4.99	131.8	5.19



10A IMPRINTING



11A IMPRINTING

NOTE: DIMS GREATER THAN 30mm HAVE A TOLERANCE OF ±0.5mm (.02 IN.)

DIMS A, C & D WERE 3 PL. ADDED TOLERANCE NOTE EC NO: PG2015-1705 DRAWNRSTONE 2015/03/31 CHKD: B ARDEN 2015/04/01 APPR: BWOODMAN 2015/04/07	QUALITY SYMBOLS	GENERAL TOLERANCES (UNLESS SPECIFIED) <table border="1"> <tr> <th></th> <th>mm</th> <th>INCH</th> </tr> <tr> <td>4 PLACES</td> <td>± ---</td> <td>± ---</td> </tr> <tr> <td>3 PLACES</td> <td>± ---</td> <td>± .005</td> </tr> <tr> <td>2 PLACES</td> <td>± 0.13</td> <td>± .01</td> </tr> <tr> <td>1 PLACE</td> <td>± 0.3</td> <td>± ---</td> </tr> <tr> <td>0 PLACE</td> <td>± ---</td> <td>± ---</td> </tr> </table>		mm	INCH	4 PLACES	± ---	± ---	3 PLACES	± ---	± .005	2 PLACES	± 0.13	± .01	1 PLACE	± 0.3	± ---	0 PLACE	± ---	± ---	DIMENSION STYLE MM/IN	SCALE 1:1	DESIGN UNITS METRIC	THIRD ANGLE PROJECTION
			mm	INCH																				
	4 PLACES	± ---	± ---																					
	3 PLACES	± ---	± .005																					
2 PLACES	± 0.13	± .01																						
1 PLACE	± 0.3	± ---																						
0 PLACE	± ---	± ---																						
▼ = 0 ▽ = 0	DRAWN BY RSTONE 2015/03/31	DATE 2015/03/31	TITLE 5.08MM EURO PLUG RIGHT ANGLE MOUNTING ENDS	SHEET NO. 2 OF 2	DOCUMENT NO. SD-39534-001																			
APPROVED BY BWOODMAN 2015/04/07	MATERIAL NO. SEE CHART	DATE 2015/04/07																						
DRAFT WHERE APPLICABLE MUST REMAIN WITHIN DIMENSIONS	SIZE C																							