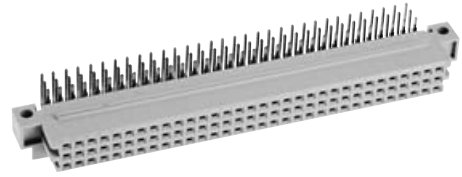


Number of contacts

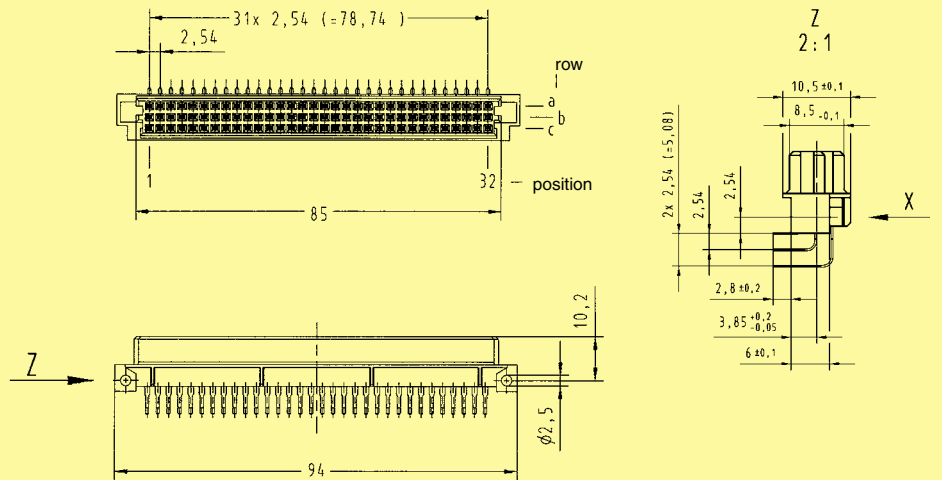
# 96, 64, 32



## Female connectors

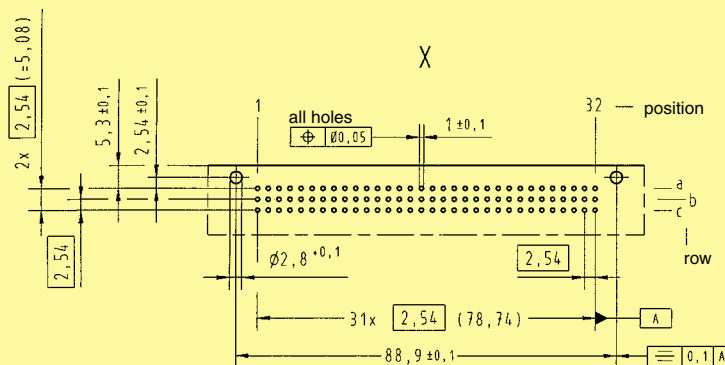
Identification	Number of contacts	Contact arrangement	Part No. Performance levels according to IEC 60603-2. Explanation chapter 00		
			3	2	1
Female connector with angled solder pins	96		09 73 296 7801 09 73 496 7801 <sup>b)</sup>	09 73 296 6801 09 73 496 6801 <sup>b)</sup>	09 73 296 2801
	64		09 73 264 7801 09 73 464 7801 <sup>b)</sup>	09 73 264 6801 09 73 464 6801 <sup>b)</sup>	09 73 264 2801
	32		09 73 232 7801	09 73 232 6801	09 73 232 2801
	32		09 73 232 7811	09 73 232 6811	09 73 232 2811

## Dimensions



## Board drillings

Mounting side



Dimensions in mm

DIN Signal to 2 A

Other contact arrangements on request  
 High temperature connectors see chapter 05  
<sup>b)</sup> Connectors with snap-in clips see chapter 00