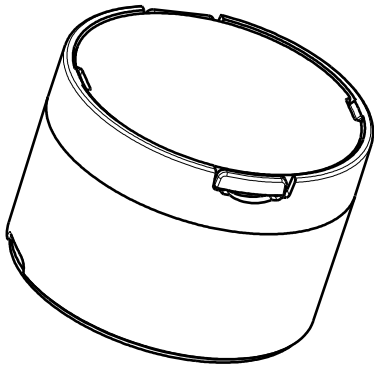


D

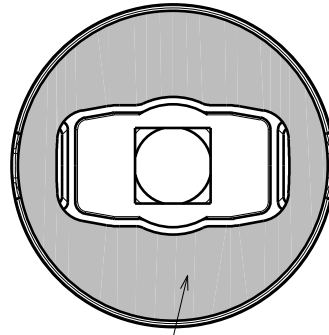
C

B

A

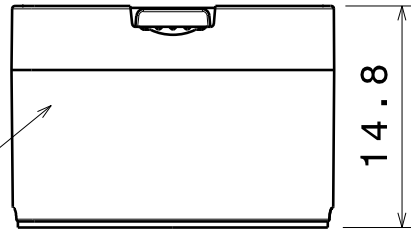


Isometric view



Bottom view

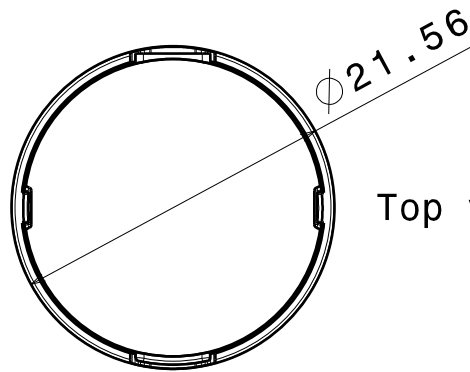
0.4mm tape



Front view

F11935\_Leila Holder\_LXM

14.8



Top view

21.56

Materials:  
 Holder: PC white  
 Lens: PMMA

Assemblies:  
 FA11937\_LXM\_RS  
 FA11938\_LXM\_D  
 FA11939\_LXM\_M  
 FA11941\_LXM\_REC

Holder:  
 F11935\_Leila Holder\_LXM

This drawing is our property.  
 It can't be reproduced  
 or communicated without  
 our written agreement.



Ledil Oy  
 Tehdaskatu 13  
 FIN-24100 SALO  
 Finland

DRAWING TITLE

DATASHEET LXM

DRAWN BY

mav

DATE

07.02.2011

CHECKED BY

sn

DATE

07.02.2011

SIZE

A4

DRAWING NUMBER

FA11937

REV

1

DESIGNED BY

mav

DATE

30.12.2010

SCALE

2:1

WEIGHT (g)

SHEET

1/1

D

A

4

4

3

3

2

2

1

1

# Mouser Electronics

Authorized Distributor

Click to View Pricing, Inventory, Delivery & Lifecycle Information:

[Ledi:](#)

[FA11939\\_LXM-M](#) [FA11941\\_LXM-REC](#) [FA11938\\_LXM-D](#) [FA11937\\_LXM-RS](#)