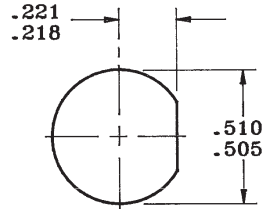
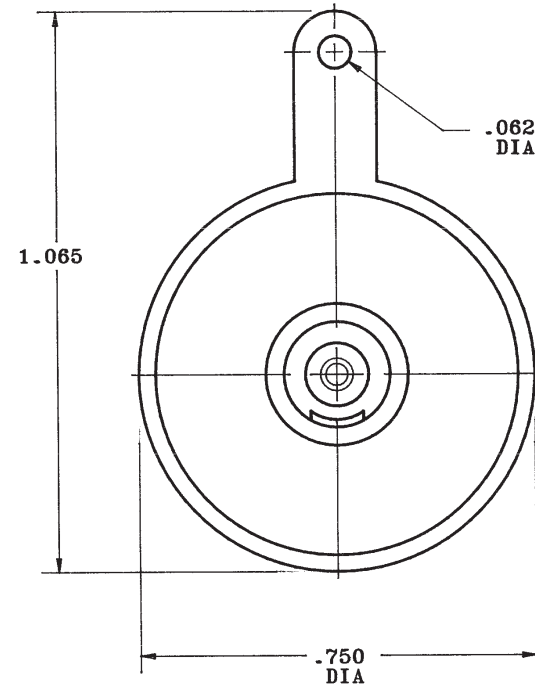
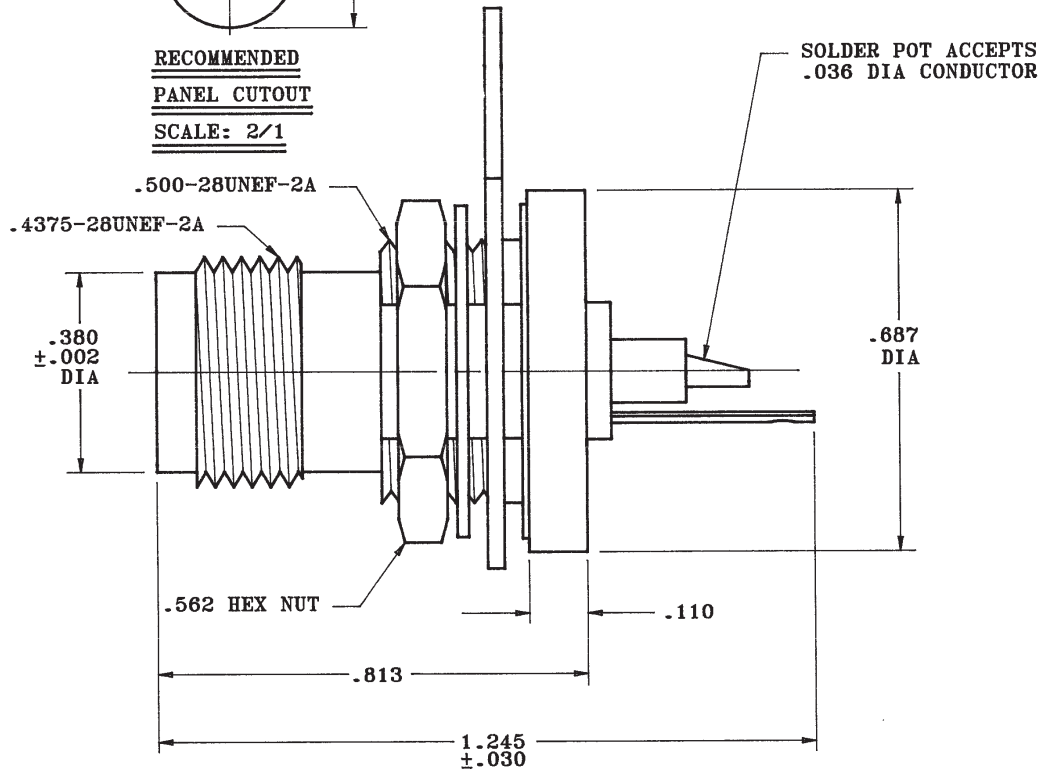


DATA CONTAINED IN THIS DOCUMENT IS PROPRIETARY TO TROMPETER ELECTRONICS INC. AND SHALL NOT BE DISCLOSED, COPIED OR USED FOR PROCUREMENT OR MANUFACTURE WITHOUT EXPRESS WRITTEN PERMISSION.

REVISIONS			3000-0098	SH 1	
REV	EO	DESCRIPTION	DWN	APPROVED	DATE
D	7645	REV BOM & ①, SH 2 & REDWN	RAG	F3, BM	7-24-87
E	7871	OBSOLETE	RAG	AK, BM	7-23-88
F	8290	DWG RE-INSTATED	DKC	AK, BM	12-20-88



RECOMMENDED  
PANEL CUTOUT  
SCALE: 2/1



INCH	MM
.002	0.05
.005	0.13
.030	0.76
.036	0.91
.062	1.57
.094	2.39
.110	2.79
.218	5.54
.221	5.61
.380	9.65
.505	12.83
.510	12.95
.562	14.27
.687	17.45
.750	19.05
.813	20.65
1.065	27.05
1.245	31.62

4. MAX PANEL THK .094
3. CONCENTRIC TWINAX/TRIAX TRT REAR MOUNT SOLDER POT BULKHEAD RECEPTACLE
2. FINISH: TFS-1A (NICKEL)
1. ALL DIM ARE IN INCHES

QTY	DESCRIPTION	PART NUMBER	ITEM
TOL UNLESS SPECIFIED .XX ± .XXX ± .005 .XXXX ± ANGLES ±		<b>TROMPETER ELECTRONICS, INC.</b>	
DWN	RAG 8/31/87	MATERIAL	CODE IDENT
CHK	F3 9-14-87	—	14949
ENGR	BM 9-15-87	DRAWING NO.	3000-0098
APPR	AK 9-23-87	REV	F
NEXT ASSY	APPR	SCALE 4/1	DATE 1/17/83
		SHEET	1 OF 2