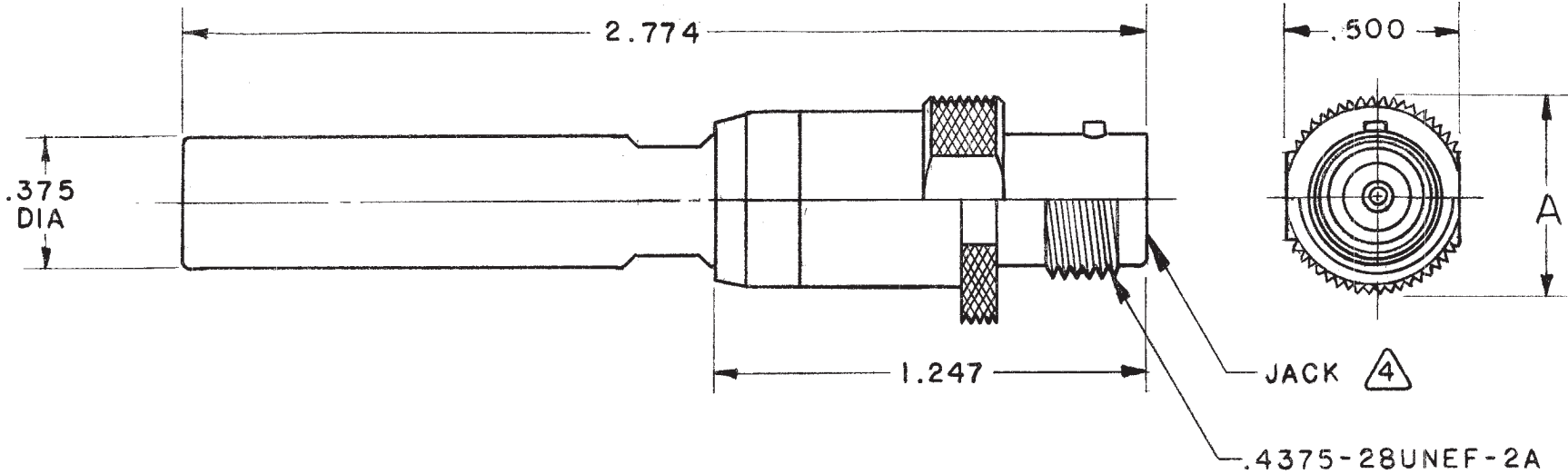


INCH	MM
.375	9.52
.500	12.70
.570	14.48
.630	16.00
1.247	31.67
2.774	70.46

DASH NO	MODEL NO	JACK	TYPE	A DIM
-1	AD1	CJ20	BNC	.570
-2	ADH1	CJ40	TNC	.630

REVISIONS			1000-0245 SH 1		
REV	EO	DESCRIPTION	DWN	APPROVED	DATE
E	4828	REV & REDWN	JJK	<i>[Signature]</i> P2B	1-30-80
F	5301	-1 WAS BASIC, ADDED -2	BLK	<i>[Signature]</i> TM	7-9-81



△ SEE DASH NO TABLE

3. 50 OHM COAXIAL ADAPTER STD SIZE RCA PATCH PLUG TO FEMALE BNC/TNC JACK
2. FINISH: TFS-1A (NICKEL)
1. ALL DIM ARE REF IN INCHES

1505-0541

NEXT ASSY

QTY	DESCRIPTION		PART NUMBER		ITEM	
TOL UNLESS SPECIFIED .XX ± .XXX ± .XXXX ± ANGLES ±			<b>TROMPETER ELECTRONICS, INC.</b>		AD1/ADH1	
DWN	JJK	1-29-80				MATERIAL
CHK	<i>[Signature]</i>	1-30-80	_____	<b>14949</b>	<b>1000-0245</b>	<b>F</b>
ENGR						
APPR	P2B	1-30-80	SCALE 2/1	DATE 1-26-66	SHEET 1 OF 2	