

EAP series

EAP -10 -472 -□

① ② ③ ④

- ① Model Name
- ② Rated Current
- ③ Line to ground capacitor code: See table 1.1.

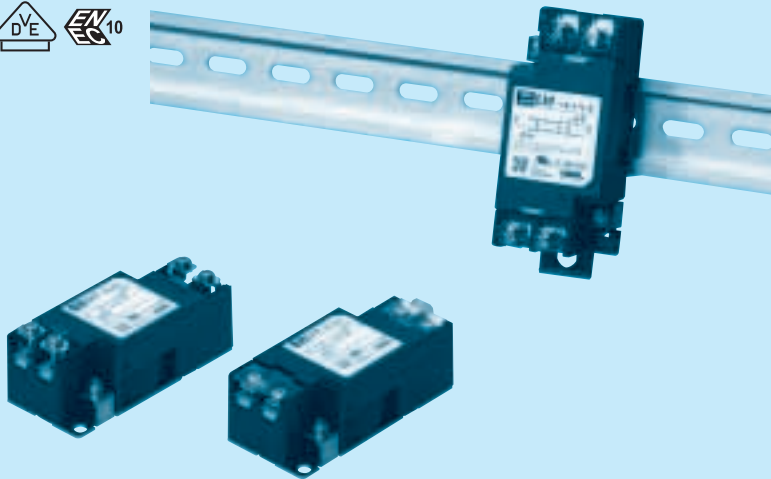
table 1.1 Line to ground capacitor code

| Code | Leakage Current (Input 125/250V 60Hz) | Line to ground capacitor (nominal value) |
|------|---------------------------------------|--|
| 000 | 5 μ A/ 10 μ A max | Not Provided |
| 101 | 12.5 μ A/ 25 μ A max | 100pF |
| 221 | 25 μ A/ 50 μ A max | 220pF |
| 331 | 37.5 μ A/ 75 μ A max | 330pF |
| 471 | 50 μ A/100 μ A max | 470pF |
| 681 | 75.5 μ A/150 μ A max | 680pF |
| 102 | 0.13mA/0.25mA max | 1000pF |
| 222 | 0.25mA/0.5 mA max | 2200pF |
| 332 | 0.38mA/0.75mA max | 3300pF |
| 472 | 0.5 mA/1.0 mA max | 4700pF |

* When the line to ground capacitor code is different, the attenuation characteristic is different.

- ④ Options
- D: DIN rail installation type

* The dimensions change when the option is set. Refer to External view.



The terminal cover is retracted inside the unit

DIN rail installation type is option

Features of EAP series

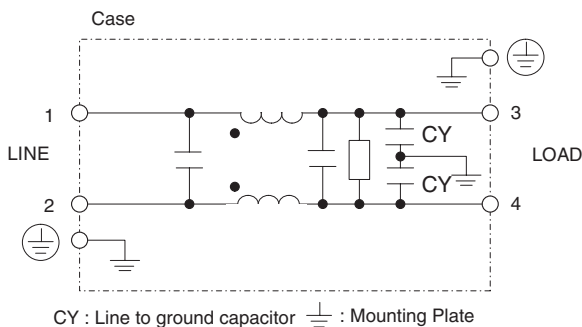
Small, High-voltage pulses common mode noise filters (1-Stage filter)

- Single Phase 250 VAC
 - Small-size
 - Quick and easy push-down terminal
- Just connect the wires, push-down and tighten the screws with a screwdriver**

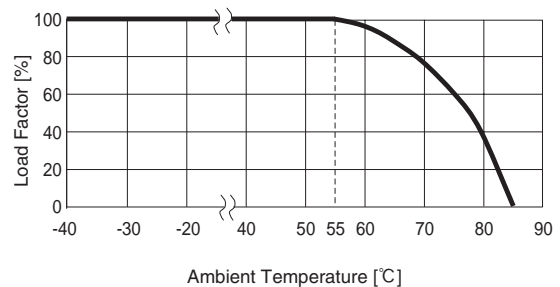
Specifications

| No. | Items | EAP-03-472 | EAP-06-472 | EAP-10-472 | EAP-16-472 | EAP-20-472 | EAP-30-472 |
|-----|--|---|-------------------|------------------|------------------|------------------|-----------------|
| 1 | Rated Voltage[V] | AC 1 ϕ 250 / DC250 | | | | | |
| 2 | Rated Current[A] | 3 | 6 | 10 | 16 | 20 | 30 |
| 3 | Test Voltage (Terminal-Mounting Plate) | 2,500 VAC (Cutoff Current = 20mA), 1minute at room temperature and humidity | | | | | |
| 4 | Isolation Resistance (Terminal-Mounting Plate) | 500 VDC 500M Ω min at room temperature and humidity | | | | | |
| 5 | Leakage current 125/250V 60Hz | 0.5mA/1.0mA max | | | | | |
| 6 | DC resistance | 180m Ω max | 110m Ω max | 40m Ω max | 20m Ω max | 10m Ω max | 6m Ω max |
| 7 | Safety agency approval temperatures | -25 to +85°C (Refer to Derating Curve) | | | | | |
| 8 | Operating temperature | -40 to +85°C (Refer to Derating Curve) | | | | | |
| 9 | Operating humidity | 20 to 95%RH (Non condensing) | | | | | |
| 10 | Storage temperature/humidity | -40 to +85°C/20 to 95%RH (Non condensing) | | | | | |
| 11 | Vibration | 10 to 55Hz, 19.6m/s ² (2G), 3min. Period, 1hour each X, Y and Z axis | | | | | |
| 12 | Impact | 196.1m/s ² (20G), 11ms Once each X, Y and Z axis | | | | | |
| 13 | Safety agency approvals | UL1283, CSA C22.2 No.8 (C-UL), DIN EN60939 VDE0565 Teil3-1, ENEC (At only AC input) | | | | | |
| 14 | Case size (without projection) /Mass | 39 X 30 X 85 mm (W X H X D) /170g max (Option : -D refer to external view) | | | | | |

Circuit Diagram



Derating Curve

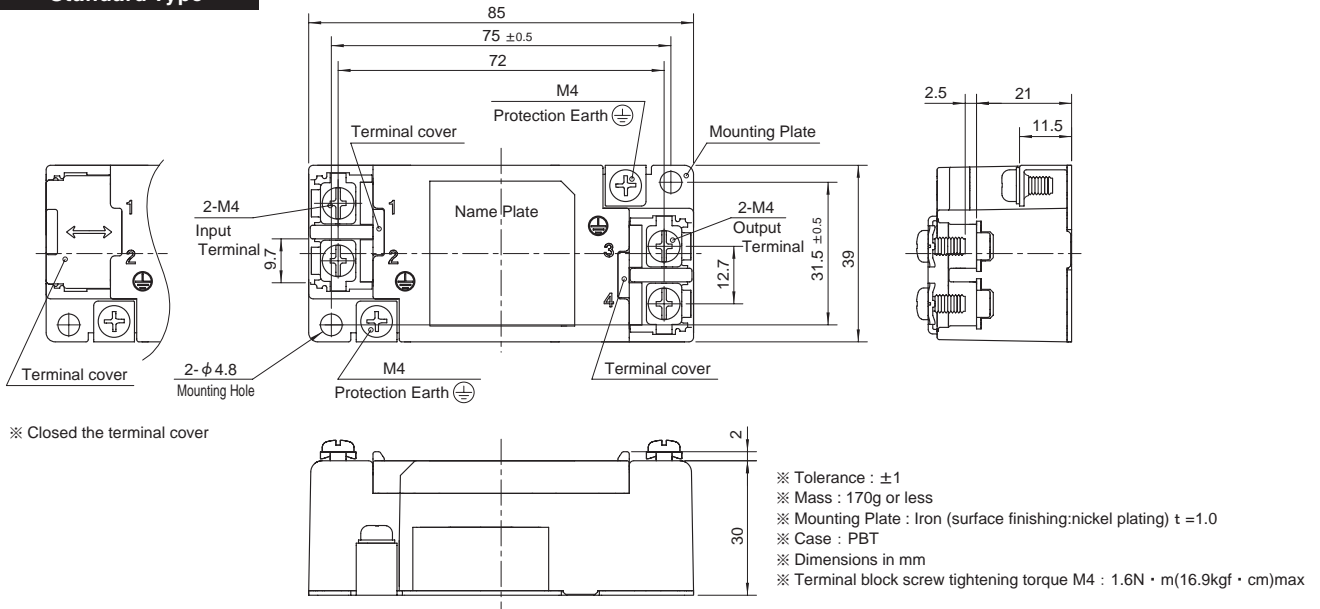


External view

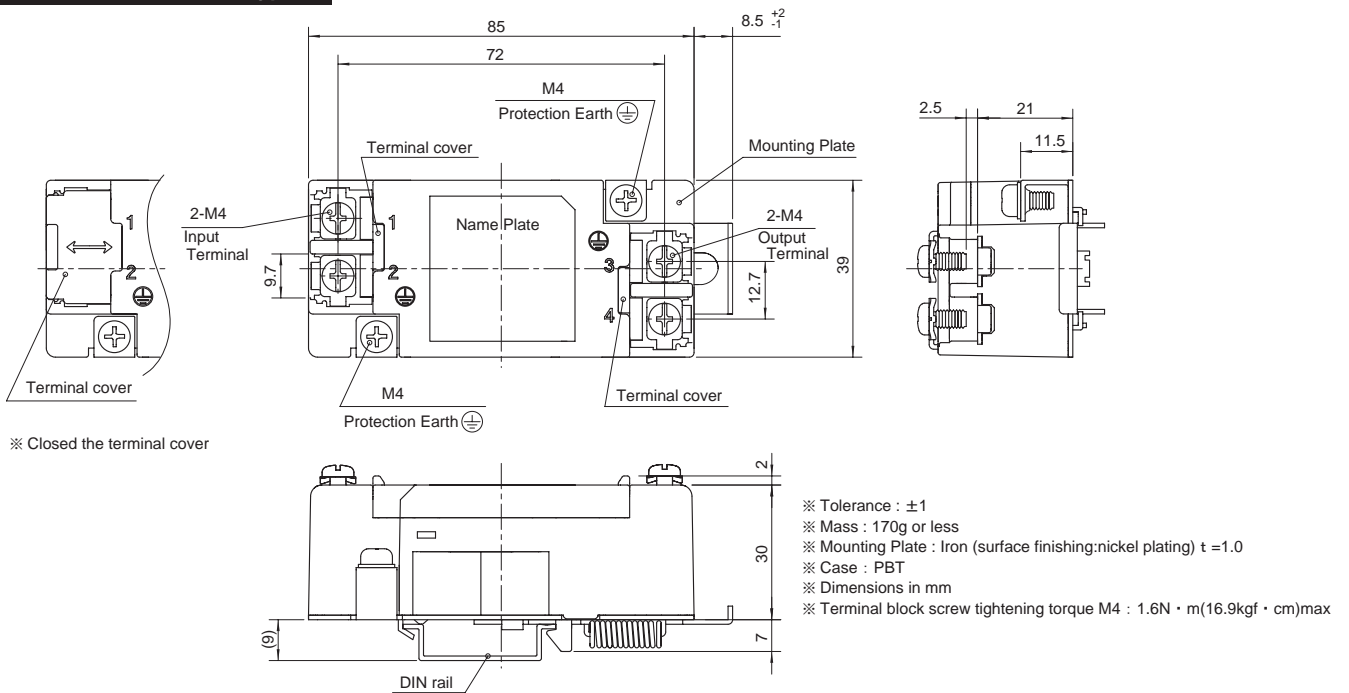
This product is shipped in the following condition, because it is equipped with push-down terminals.

- ① The terminal cover is retracted inside the unit.
- ② The screws for connecting the terminals are held in the up right position.

Standard Type



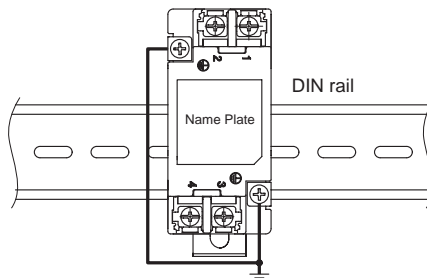
DIN rail installation Type



■ Note when installing the noise filter on a DIN rail.

When the noise filter is grounded through the DIN rail, the proper noise attenuation may not be achieved.

Be sure to connect the protection earth (PE) of the noise filter body to the earth.



Mouser Electronics

Authorized Distributor

Click to View Pricing, Inventory, Delivery & Lifecycle Information:

Cosel:

[EAP-03-101](#) [EAP-03-101-D](#) [EAP-03-102](#) [EAP-03-102-D](#) [EAP-03-221](#) [EAP-03-221-D](#) [EAP-30-000-D](#) [EAP-10-000-D](#) [EAP-16-000](#) [EAP-16-000-D](#) [EAP-20-000](#) [EAP-20-000-D](#) [EAP-30-000](#) [EAP-03-000](#) [EAP-03-000-D](#) [EAP-06-000](#) [EAP-06-000-D](#) [EAP-10-000](#) [EAP-30-471](#) [EAP-30-471-D](#) [EAP-30-472](#) [EAP-30-472-D](#) [EAP-30-681](#) [EAP-30-681-D](#) [EAP-30-222](#) [EAP-30-222-D](#) [EAP-30-331](#) [EAP-30-331-D](#) [EAP-30-332](#) [EAP-30-332-D](#) [EAP-30-101](#) [EAP-30-101-D](#) [EAP-30-102](#) [EAP-30-102-D](#) [EAP-30-221](#) [EAP-30-221-D](#) [EAP-20-471](#) [EAP-20-471-D](#) [EAP-20-472](#) [EAP-20-472-D](#) [EAP-20-681](#) [EAP-20-681-D](#) [EAP-20-222](#) [EAP-20-222-D](#) [EAP-20-331](#) [EAP-20-331-D](#) [EAP-20-332](#) [EAP-20-332-D](#) [EAP-20-101](#) [EAP-20-101-D](#) [EAP-20-102](#) [EAP-20-102-D](#) [EAP-20-221](#) [EAP-20-221-D](#) [EAP-16-471](#) [EAP-16-471-D](#) [EAP-16-472](#) [EAP-16-472-D](#) [EAP-16-681](#) [EAP-16-681-D](#) [EAP-16-222](#) [EAP-16-222-D](#) [EAP-16-331](#) [EAP-16-331-D](#) [EAP-16-332](#) [EAP-16-332-D](#) [EAP-16-101](#) [EAP-16-101-D](#) [EAP-16-102](#) [EAP-16-102-D](#) [EAP-16-221](#) [EAP-16-221-D](#) [EAP-10-471](#) [EAP-10-471-D](#) [EAP-10-472](#) [EAP-10-472-D](#) [EAP-10-681](#) [EAP-10-681-D](#) [EAP-10-222](#) [EAP-10-222-D](#) [EAP-10-331](#) [EAP-10-331-D](#) [EAP-10-332](#) [EAP-10-332-D](#) [EAP-10-101](#) [EAP-10-101-D](#) [EAP-10-102](#) [EAP-10-102-D](#) [EAP-10-221](#) [EAP-10-221-D](#) [EAP-06-471](#) [EAP-06-471-D](#) [EAP-06-472](#) [EAP-06-472-D](#) [EAP-06-681](#) [EAP-06-681-D](#) [EAP-06-222](#) [EAP-06-222-D](#) [EAP-06-331](#) [EAP-06-331-D](#)