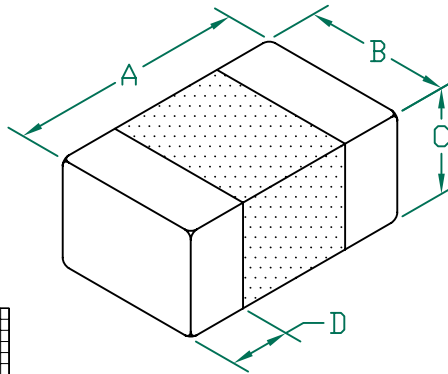


HZ0805G471R-10

UNCONTROLLED DOCUMENT

PHYSICAL DIMENSIONS:

A	2.00 [.079]	+ 0.20 [.008]
B	1.25 [.049]	+ 0.20 [.008]
C	0.85 [.033]	+ 0.20 [.008]
D	0.51 [.020]	+ 0.25 [.010]

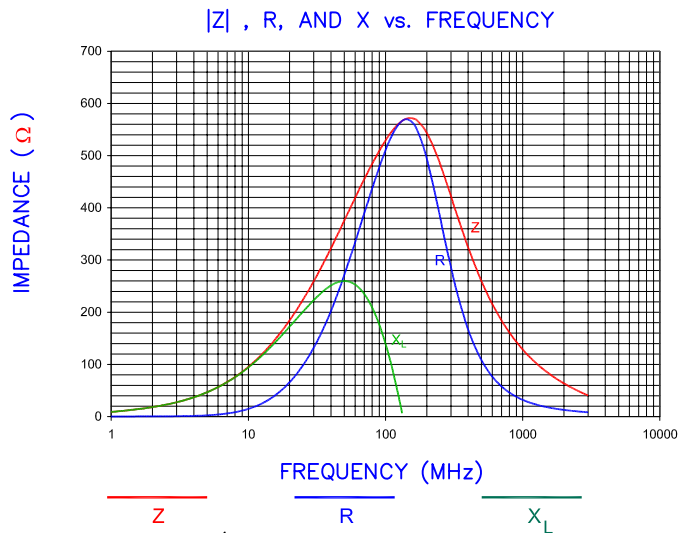
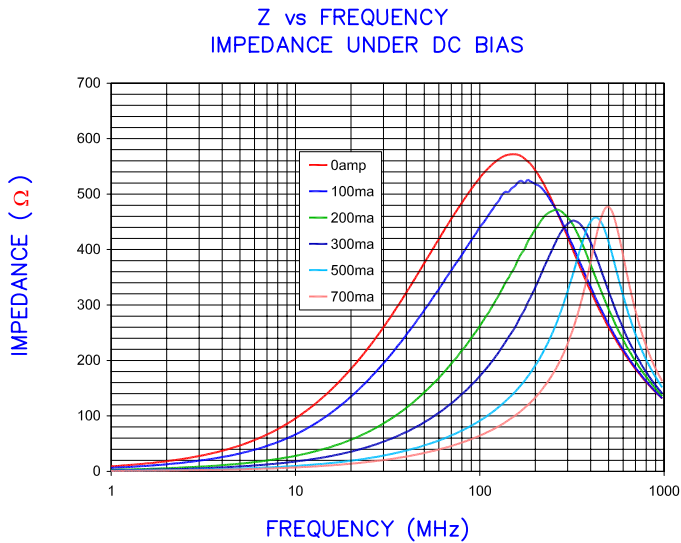


ELECTRICAL CHARACTERISTICS:

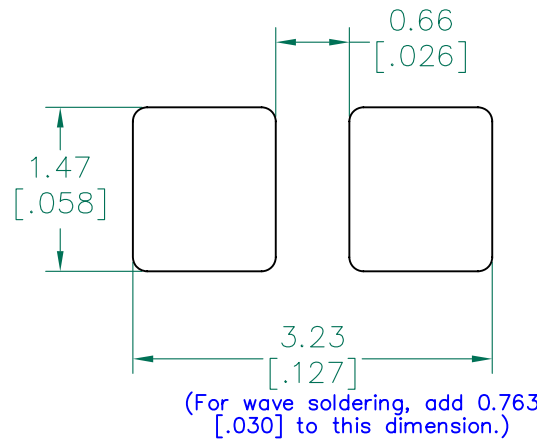
Z @ 100MHz (Ω)	DCR (Ω)	Rated Current
Nominal	470	
Minimum	353	
Maximum	588	700 mA

NOTES: UNLESS OTHERWISE SPECIFIED

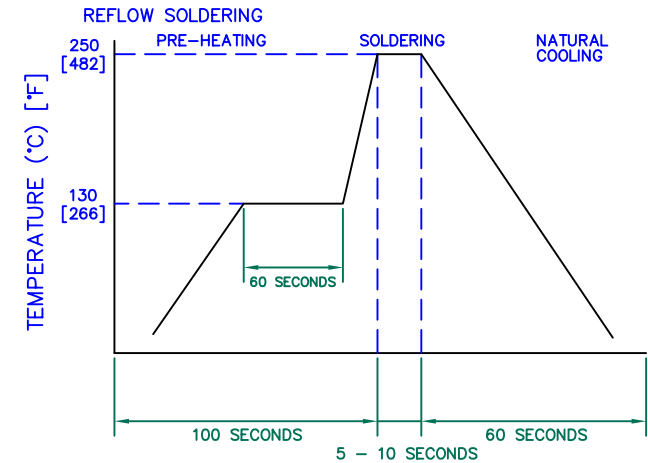
1. TAPED AND REELED per CURRENT EIA SPECIFICATIONS 7" REELS, 4000 PCS/REEL, PAPER TAPE.
2. TERMINATION FINISH IS 100% TIN.
3. COMPONENTS SHOULD BE ADEQUATELY PREHEATED BEFORE SOLDERING.



LAND PATTERNS FOR REFLOW SOLDERING



RECOMMENDED SOLDERING CONDITIONS



DIMENSIONS ARE IN mm [INCHES].				This print is the property of Laird Tech. and is loaned in confidence subject to return upon request and with the understanding that no copies shall be made without the written consent of Laird Tech. All rights to design or invention are reserved.		Laird TECHNOLOGIES	
				PROJECT/PART NUMBER:	REV	PART TYPE:	DRAWN BY:
				HZ0805G471R-10	C	CO-FIRE	TMB
C	CHANGE TO PAPER TAPE	03/03/10	JUN	DATE:	04/03/04	SCALE:	NTS
B	UPDATE COMPANY LOGO ADD ROHS	03/24/08	JRK	GAD #	HZ0805G471R-10-C	TOOL #	-
A	ORIGINAL DRAFT	04/03/04	TMB	SHEET:		2 of 2	
REV	DESCRIPTION	DATE	INT				