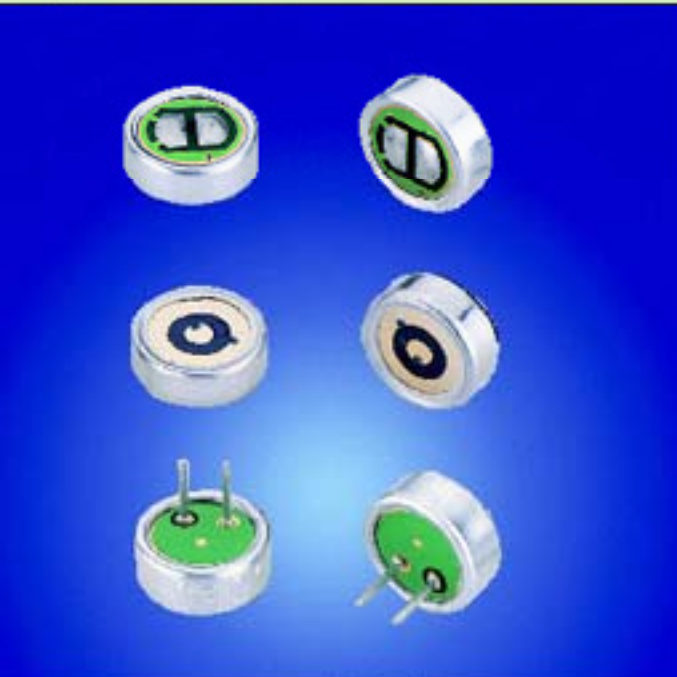
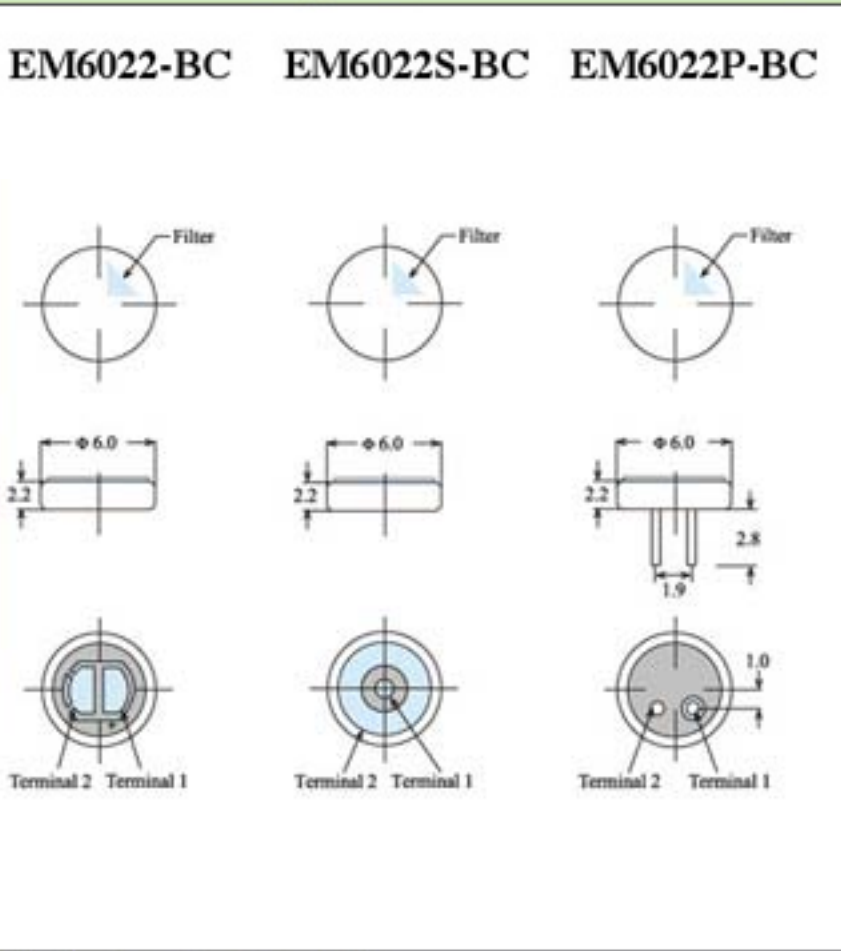


Appearance 外观图



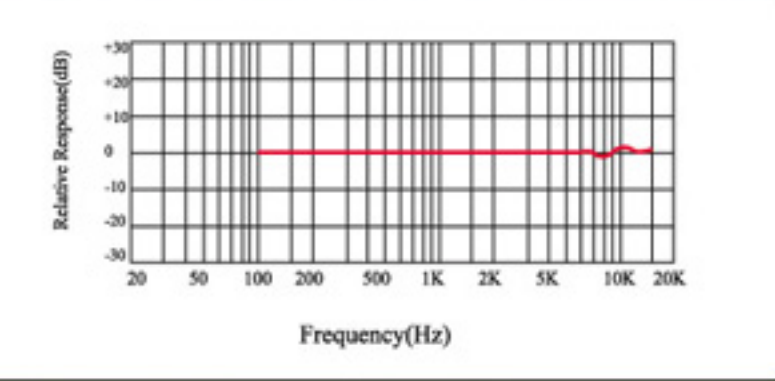
Dimensional Drawing 轮廓图 Unit: mm



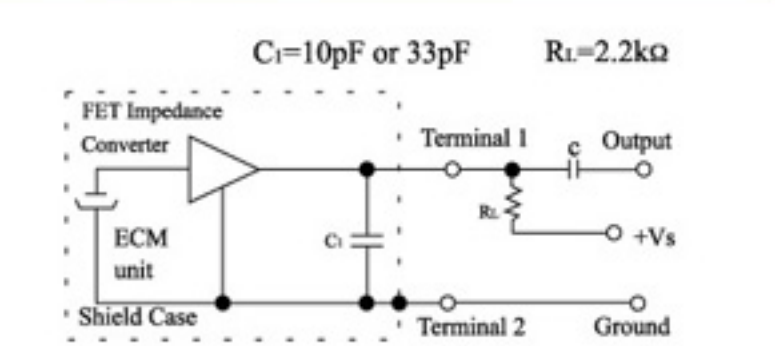
Sensitivity Range 灵敏度范围

-38 ± 3dB	-40 ± 3dB
-42 ± 3dB	-44 ± 3dB
-46 ± 3dB	-48 ± 3dB

Typical Frequency Response Curve 频率响应曲线



Schematic Diagram 测试电路图



Specification 规格

Sensitivity:	See above (0dB=1 V/Pa, 1KHz)
Directivity:	Omnidirectional
Impedance:	Low impedance
Current Consumption:	Max. 0.5mA
Standard Operation Voltage:	2.0V
Sensitivity Reduction:	Within-3dB at 1.5V
S/N Ratio:	More than 58dB
灵敏度:	参照上述: (0dB=1 V/Pa, 1KHz)
方向性:	全向
阻抗:	低阻抗
电流消耗:	最大0.5mA
标准工作电压:	2.0V
灵敏度减低:	1.5V时-3dB以内
信噪比:	大于58dB