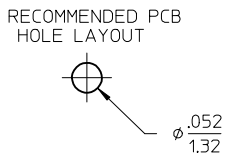
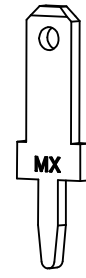
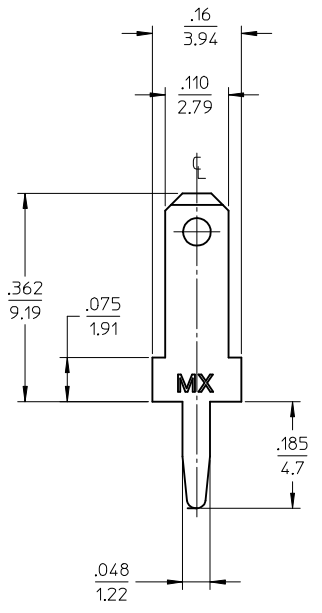


MATERIAL NUMBER	ENGINEERING NUMBER	DESCRIPTION
197124001	19712-4001	LOOSE PART

Ⓜ



NOTES:

- Ⓜ 1. PARTS ARE ROHS COMPLIANT.
- 2. MATERIAL: BRASS C26000 (.020/0.51)
- 3. TAB CONFORMS TO NEMA SPECIFICATIONS.
- 4. ALL DIMENSIONS AND NOTES REFERENCE UNLESS OTHERWISE NOTED.
- 5. PLATING: MATTE TIN, 150μm/3.81μm MINIMUM THICKNESS OVER NICKEL 50μm/1.25μm MINIMUM THICKNESS.

REVISED CHART AND NOTES EC NO: IPG2014-2101 DRWN: GROJASO1 2014/06/11 CHKD: JMACNEIL 2014/06/11 APPR: JMACNEIL 2014/06/26	DESCRIPTION REV	QUALITY SYMBOLS	GENERAL TOLERANCES (UNLESS SPECIFIED)	SCALE 5:1	DESIGN UNITS INCH	THIRD ANGLE PROJECTION	REVISE ON CAD ONLY																
		▽ - 0 ▽ - 0	<table border="1"> <tr> <th></th> <th>mm</th> <th>INCH</th> </tr> <tr> <td>4 PLACES</td> <td>± ---</td> <td>± ---</td> </tr> <tr> <td>3 PLACES</td> <td>± ---</td> <td>± .005</td> </tr> <tr> <td>2 PLACES</td> <td>± 0.13</td> <td>± .01</td> </tr> <tr> <td>1 PLACE</td> <td>± 0.25</td> <td>± ---</td> </tr> </table>		mm	INCH	4 PLACES	± ---	± ---	3 PLACES	± ---	± .005	2 PLACES	± 0.13	± .01	1 PLACE	± 0.25	± ---	DIMENSION STYLE IN/MM		TITLE		
				mm	INCH																		
			4 PLACES	± ---	± ---																		
3 PLACES	± ---	± .005																					
2 PLACES	± 0.13	± .01																					
1 PLACE	± 0.25	± ---																					
ANGULAR ±1/2°			DRAWN BY EDB DATE 11/08/96		QUICK DISCONNECT PCB MOUNTABLE .110 X .020 TAB MOLEX INCORPORATED																		
DRAFT WHERE APPLICABLE MUST REMAIN WITHIN DIMENSIONS			CHECKED BY JH DATE 11/08/96																				
				APPROVED BY RWD DATE 11/08/96	MATERIAL NO. SEE CHART	DOCUMENT NO. SD-19712-400	SHEET NO. 1 OF 1																
THIS DRAWING CONTAINS INFORMATION THAT IS PROPRIETARY TO MOLEX INCORPORATED AND SHOULD NOT BE USED WITHOUT WRITTEN PERMISSION																							