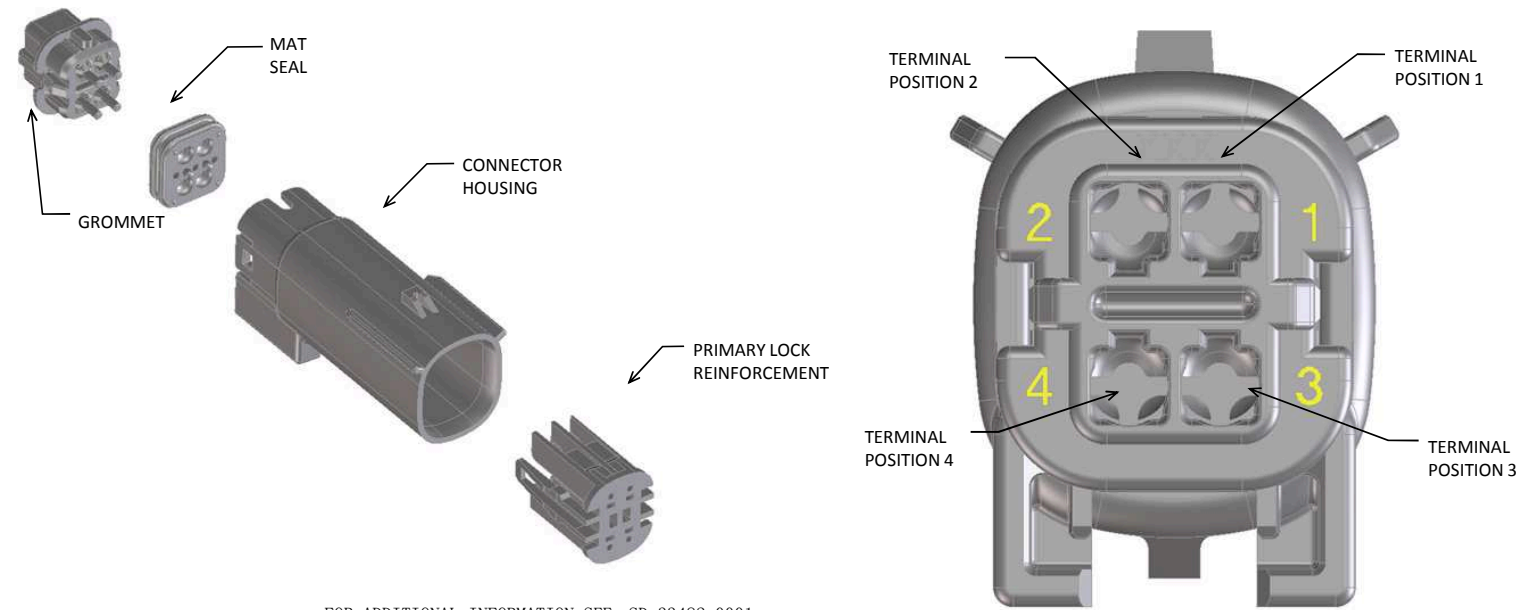


MX150 2X2 BLADE SEALED ASSEMBLY MAT SEAL
BOM AND PIN OUT SHEET



FOR ADDITIONAL INFORMATION SEE SD-33482-0001

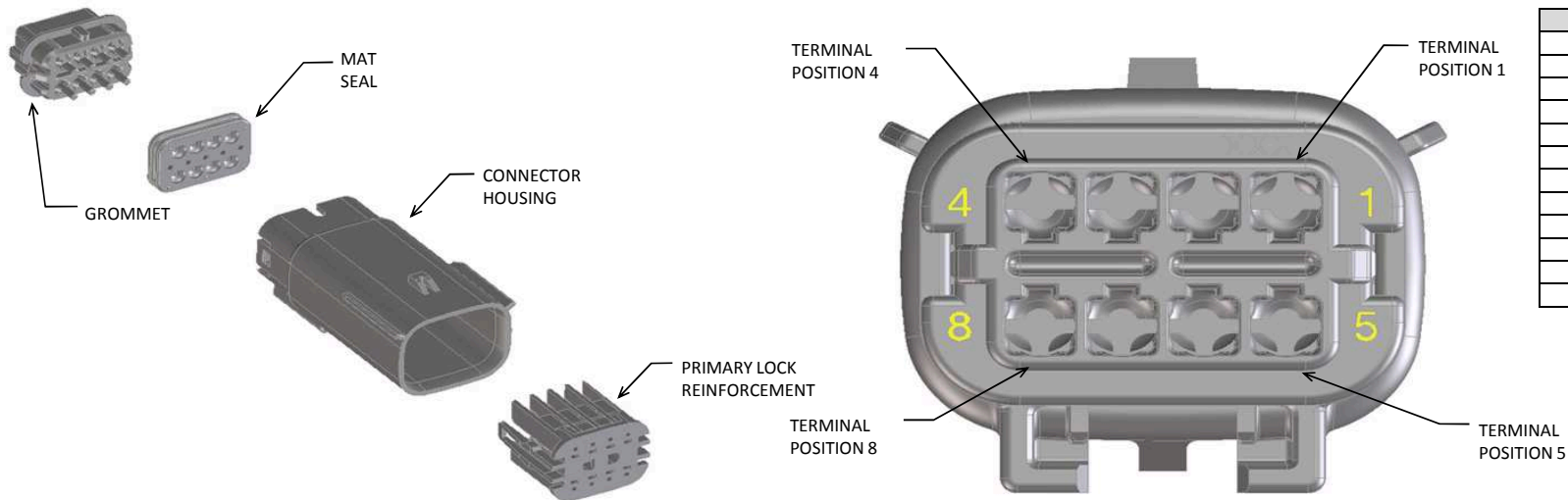
ABBREVIATION	DESCRIPTION	COLOR	MATERIAL
A-BLK	HOUSING, KEYING OPTION A	BLACK	SPS/NYLON GF20
B-LG	HOUSING, KEYING OPTION B	LIGHT GRAY	SPS/NYLON GF20
C-BR	HOUSING, KEYING OPTION C	BROWN	SPS/NYLON GF20
D-GR	HOUSING, KEYING OPTION D	GREEN	SPS/NYLON GF20
C-DG	HOUSING, KEYING OPTION C	DARK GRAY	SPS/NYLON GF20
D-SG	HOUSING, KEYING OPTION D	STONE GRAY	SPS/NYLON GF20
A-YW	HOUSING, KEYING OPTION A	YELLOW	SPS/NYLON GF20
GCP	GROMMET CAP (PLUGGED)	BLACK	SPS/NYLON GF20
GCO	GROMMET CAP (OPEN)	BLACK	SPS/NYLON GF20
PLR	PLR	NATURAL	SPS/NYLON GF20
M	MAT SEAL	ROYAL BLUE	INHERENTLY LUBRICATED SILICONE

ASSEMBLY DESCRIPTION	ASSEMBLY PART NUMBER	COMPONENT				BLOCKED TERMINALS										STATUS	COMMENTS	OPTIONAL ATTACHMENTS SOLD SEPERATELY			
		THE PRESENCE OF AN ABBREVIATION INDICATES THE PRESENCE OF THAT COMPONENT.				CAVITY WITH A NUMBER INDICATES BLOCKED TERMINAL POSITION CAVITY WITHOUT A NUMBER INDICATES OPEN TERMINAL POSITION												BACKSHELL WITH RIBS	BACKSHELL WITHOUT RIBS		
		HOUSING KEY/COLOR	GROMMET CAP	PLR	MAT SEAL	1	2	3	4												
KEY A, BLACK	33482-4001	A-BLK	GCO	PLR	M														SALEABLE		
KEY B, LIGHT GRAY	33482-4002	B-LG	GCO	PLR	M														SALEABLE		
KEY C, BROWN	33482-4003	C-BR	GCO	PLR	M														NOT RECOMMENDED	SEE 33482-4103	
KEY D, GREEN	33482-4004	D-GR	GCO	PLR	M														NOT RECOMMENDED	SEE 33482-4104	
KEY A, BLACK	33482-4006	A-BLK	GCP	PLR	M		2												SALEABLE		
KEY B, LIGHT GRAY	33482-4007	B-LG	GCP	PLR	M		2												SALEABLE		
KEY C, BROWN	33482-4008	C-BR	GCP	PLR	M		2												NOT RECOMMENDED	SEE 33482-4105	
KEY D, GREEN	33482-4009	D-GR	GCP	PLR	M		2												NOT RECOMMENDED	SEE 33482-4106	
KEY A, BLACK	33482-4011	A-BLK	GCP	PLR	M		2	3											SALEABLE		
KEY B, LIGHT GRAY	33482-4012	B-LG	GCP	PLR	M		2	3											SALEABLE		
KEY C, BROWN	33482-4013	C-BR	GCP	PLR	M		2	3											NOT RECOMMENDED	SEE 33482-4107	
KEY D, GREEN	33482-4014	D-GR	GCP	PLR	M		2	3											NOT RECOMMENDED	SEE 33482-4108	
KEY A, BLACK	33482-4016	A-BLK	GCP	PLR	M	1	2	3	4										SALEABLE		
KEY B, LIGHT GRAY	33482-4017	B-LG	GCP	PLR	M	1	2	3	4										SALEABLE		
KEY C, BROWN	33482-4018	C-BR	GCP	PLR	M	1	2	3	4										NOT RECOMMENDED	SEE 33482-4109	
KEY D, GREEN	33482-4019	D-GR	GCP	PLR	M	1	2	3	4										NOT RECOMMENDED	SEE 33482-4110	
KEY A, BLACK	33482-4021	A-BLK	GCP	PLR	M	1	2	3											SALEABLE		
KEY A, BLACK	33482-4022	A-BLK	GCP	PLR	M				4										SALEABLE		
KEY A, BLACK	33482-4023	A-BLK	GCP	PLR	M			3	4										SALEABLE		
KEY A, BLACK	33482-4024	A-BLK	GCP	PLR	M			3											SALEABLE		
KEY A, BLACK	33482-4025	A-BLK	GCP	PLR	M	1	2												SALEABLE		
KEY C, DARK GRAY	33482-4103	C-DG	GCO	PLR	M														SALEABLE		
KEY D, STONE GRAY	33482-4104	D-SG	GCO	PLR	M														SALEABLE		
KEY C, DARK GRAY	33482-4105	C-DG	GCP	PLR	M		2												SALEABLE		
KEY D, STONE GRAY	33482-4106	D-SG	GCP	PLR	M		2												SALEABLE		
KEY C, DARK GRAY	33482-4107	C-DG	GCP	PLR	M		2	3											SALEABLE		
KEY D, STONE GRAY	33482-4108	D-SG	GCP	PLR	M		2	3											SALEABLE		
KEY C, DARK GRAY	33482-4109	C-DG	GCP	PLR	M	1	2	3	4										SALEABLE		
KEY D, STONE GRAY	33482-4110	D-SG	GCP	PLR	M	1	2	3	4										SALEABLE		
KEY A, BLACK	33482-4111	A-BLK	GCP	PLR	M		2		4										SALEABLE		
KEY A, YELLOW	33482-4112	A-YW	GCO	PLR	M														SALEABLE		
KEY B, LIGHT GRAY	33482-4113	B-LG	GCP	PLR	M	1													SALEABLE		
KEY A, BLACK	33482-4115	A-BLK	GCP	PLR	M	1		3											SALEABLE		
KEY C, DARK GRAY	33482-4116	C-DG	GCP	PLR	M		2		4										SALEABLE		
KEY B, LIGHT GRAY	33482-4117	B-LG	GCP	PLR	M		2		4										SALEABLE		

MX150 2X3 BLADE SEALED ASSEMBLY MAT SEAL
BOM AND PIN OUT SHEET

ASSEMBLY DESCRIPTION	ASSEMBLY PART NUMBER	COMPONENT				BLOCKED TERMINALS												STATUS	COMMENTS	OPTIONAL ATTACHMENTS SOLD SEPERATELY	
		THE PRESENCE OF AN ABBREVIATION INDICATES THE PRESENCE OF THAT COMPONENT.				CAVITY WITH A NUMBER INDICATES BLOCKED TERMINAL POSITION CAVITY WITHOUT A NUMBER INDICATES OPEN TERMINAL POSITION														BACKSHELL WITH RIBS	BACKSHELL WITHOUT RIBS
		HOUSING KEY/COLOR	GROMMET CAP	PLR	MAT SEAL	1	2	3	4	5	6										
KEY A, BLACK	33482-0649	A-BLK	GC	PLR	M-R				4		6							SALEABLE		34950-0610	34950-0620
KEY A, BLACK	33482-0650	A-BLK	GC	PLR	M-R	1		3		5								SALEABLE		34950-0610	34950-0620
KEY A, BLACK	33482-0651	A-BLK	GC	PLR	M-R		2		4		6							SALEABLE		34950-0610	34950-0620
KEY A, BLACK	33482-3601	A-BLK	GC	PLR	M-B													NOT VALIDATED		34950-0610	34950-0620
KEY B, LIGHT GRAY	33482-3602	B-LG	GC	PLR	M-B													NOT VALIDATED		34950-0610	34950-0620
KEY C, BROWN	33482-3603	C-BR	GC	PLR	M-B													NOT RECOMMENDED	SEE 33482-3628	34950-0610	34950-0620
KEY D, GREEN	33482-3604	D-GR	GC	PLR	M-B													NOT RECOMMENDED	SEE 33482-3629	34950-0610	34950-0620
VOID KEY	33482-3605																				
KEY A, BLACK	33482-3606	A-BLK	GC	PLR	M-B			3										NOT VALIDATED		34950-0610	34950-0620
KEY B, LIGHT GRAY	33482-3607	B-LG	GC	PLR	M-B			3										NOT VALIDATED		34950-0610	34950-0620
KEY C, BROWN	33482-3608	C-BR	GC	PLR	M-B			3										NOT RECOMMENDED	SEE 33482-3638	34950-0610	34950-0620
KEY D, GREEN	33482-3609	D-GR	GC	PLR	M-B			3										NOT RECOMMENDED	SEE 33482-3641	34950-0610	34950-0620
VOID KEY	33482-3610																				
KEY A, BLACK	33482-3611	A-BLK	GC	PLR	M-B			3	4									NOT VALIDATED		34950-0610	34950-0620
KEY B, LIGHT GRAY	33482-3612	B-LG	GC	PLR	M-B			3	4									NOT VALIDATED		34950-0610	34950-0620
KEY C, BROWN	33482-3613	C-BR	GC	PLR	M-B			3	4									NOT RECOMMENDED	SEE 33482-3642	34950-0610	34950-0620
KEY D, GREEN	33482-3614	D-GR	GC	PLR	M-B			3	4									NOT RECOMMENDED	SEE 33482-3643	34950-0610	34950-0620
VOID KEY	33482-3615																				
KEY A, BLACK	33482-3616	A-BLK	GC	PLR	M-B			3										NOT VALIDATED		34950-0610	34950-0620
KEY A, BLACK	33482-3617	A-BLK	GC	PLR	M-B		2											NOT VALIDATED		34950-0610	34950-0620
KEY A, BLACK	33482-3618	A-BLK	GC	PLR	M-B					5	6							NOT VALIDATED		34950-0610	34950-0620
KEY A, BLACK	33482-3619	A-BLK	GC	PLR	M-B		2	3	4	5								NOT VALIDATED		34950-0610	34950-0620
KEY A, BLACK	33482-3620	A-BLK	GC	PLR	M-B	1	2	3	4	5	6							NOT VALIDATED		34950-0610	34950-0620
KEY A, BLACK	33482-3621	A-BLK	GC	PLR	M-B	1			4	5								NOT VALIDATED		34950-0610	34950-0620
KEY A, BLACK	33482-3622	A-BLK	GC	PLR	M-B				4	5	6							NOT VALIDATED		34950-0610	34950-0620
KEY A, BLACK	33482-3623	A-BLK	GC	PLR	M-B					5								NOT VALIDATED		34950-0610	34950-0620
KEY A, BLACK	33482-3624	A-BLK	GC	PLR	M-B						6							NOT VALIDATED		34950-0610	34950-0620
KEY B, LIGHT GRAY	33482-3625	B-LG	GC	PLR	M-B	1				5								NOT VALIDATED		34950-0610	34950-0620
KEY A, BLACK	33482-3626	A-BLK	GC	PLR	M-B	1	2	3	4									NOT VALIDATED		34950-0610	34950-0620
KEY A, BLACK	33482-3627	A-BLK	GC	PLR	M-B		2	3		5	6							NOT VALIDATED		34950-0610	34950-0620
KEY C, DARK GRAY	33482-3628	C-DG	GC	PLR	M-B													NOT VALIDATED		34950-0610	34950-0620
KEY D, STONE GRAY	33482-3629	D-SG	GC	PLR	M-B													NOT VALIDATED		34950-0610	34950-0620
KEY A, BLACK	33482-3630	A-BLK	GC	PLR	M-B			3			6							NOT VALIDATED		34950-0610	34950-0620
KEY A, BLACK	33482-3631	A-BLK	GCL	PLR	M-B													NOT VALIDATED		34950-0610	34950-0620
KEY B, LIGHT GRAY	33482-3632	B-LG	GCL	PLR	M-B													NOT VALIDATED		34950-0610	34950-0620
KEY C, DARK GRAY	33482-3633	C-DG	GCL	PLR	M-B													NOT VALIDATED		34950-0610	34950-0620
KEY D, STONE GRAY	33482-3634	D-SG	GCL	PLR	M-B													NOT VALIDATED		34950-0610	34950-0620
KEY C, DARK GRAY	33482-3635	C-DG	GCL	PLR	M-B			3										NOT VALIDATED		34950-0610	34950-0620
KEY A, BLACK	33482-3636	A-BLK	GCL	PLR	M-B			3										NOT VALIDATED		34950-0610	34950-0620
KEY A, BLACK	33482-3637	A-BLK	GC	PLR	M-B		2				6							NOT VALIDATED		34950-0610	34950-0620
KEY C, DARK GRAY	33482-3638	C-DG	GC	PLR	M-B			3										NOT VALIDATED		34950-0610	34950-0620
KEY A, BLACK	33482-3639	A-BLK	GCL	PLR	M-B	1	2	3	4	5	6							NOT VALIDATED		34950-0610	34950-0620
KEY A, BLACK	33482-3640	A-BLK	GC	PLR	M-B				4									NOT VALIDATED		34950-0610	34950-0620
KEY D, STONE GRAY	33482-3641	D-SG	GC	PLR	M-B			3										NOT VALIDATED		34950-0610	34950-0620
KEY C, DARK GRAY	33482-3642	C-DG	GC	PLR	M-B			3	4									NOT VALIDATED		34950-0610	34950-0620
KEY D, STONE GRAY	33482-3643	D-SG	GC	PLR	M-B			3	4									NOT VALIDATED		34950-0610	34950-0620
KEY A, YELLOW	33482-3644	A-YW	GC	PLR	M-B													NOT VALIDATED		34950-0610	34950-0620
KEY A, BLACK	33482-3645	A-BLK	GC	PLR	M-B			3	4	5	6							NOT VALIDATED		34950-0610	34950-0620
KEY A, BLACK	33482-3646	A-BLK	GC	PLR	M-B		2	3										NOT VALIDATED		34950-0610	34950-0620
KEY B, LIGHT GRAY	33482-3647	B-LG	GC	PLR	M-B		2	3										NOT VALIDATED		34950-0610	34950-0620
KEY C, DARK GRAY	33482-3648	C-DG	GC	PLR	M-B						6							NOT VALIDATED		34950-0610	34950-0620
KEY A, BLACK	33482-3649	A-BLK	GC	PLR	M-B				4		6							NOT VALIDATED		34950-0610	34950-0620
KEY A, BLACK	33482-3650	A-BLK	GC	PLR	M-B	1		3		5								NOT VALIDATED		34950-0610	34950-0620
KEY A, BLACK	33482-3651	A-BLK	GC	PLR	M-B		2		4		6							NOT VALIDATED		34950-0610	34950-0620

MX150 2X4 BLADE SEALED ASSEMBLY MAT SEAL
BOM AND PIN OUT SHEET



ABBREVIATION	DESCRIPTION	COLOR	MATERIAL
A-BLK	HOUSING, KEYING OPTION A	BLACK	SPS/NYLON GF20
B-LG	HOUSING, KEYING OPTION B	LIGHT GRAY	SPS/NYLON GF20
C-BR	HOUSING, KEYING OPTION C	BROWN	SPS/NYLON GF20
D-GR	HOUSING, KEYING OPTION D	GREEN	SPS/NYLON GF20
C-DG	HOUSING, KEYING OPTION C	DARK GRAY	SPS/NYLON GF20
D-SG	HOUSING, KEYING OPTION D	STONE GRAY	SPS/NYLON GF20
A-YW	HOUSING, KEYING OPTION A	YELLOW	SPS/NYLON GF20
GCP	GROMMET CAP (PLUGGED)	BLACK	SPS/NYLON GF20
GCO	GROMMET CAP (OPEN)	BLACK	SPS/NYLON GF20
PLR	PLR	NATURAL	SPS/NYLON GF20
M-R	MAT SEAL	RUST RED	INHERENTLY LUBRICATED SILICONE
M-B	MAT SEAL	ROYAL BLUE	INHERENTLY LUBRICATED SILICONE

FOR ADDITIONAL INFORMATION SEE SD-33482-0001

ASSEMBLY DESCRIPTION	ASSEMBLY PART NUMBER	COMPONENT				BLOCKED TERMINALS								STATUS	COMMENTS	OPTIONAL ATTACHMENTS SOLD SEPERATELY				
		THE PRESENCE OF AN ABBREVIATION INDICATES THE PRESENCE OF THAT COMPONENT.				CAVITY WITH A NUMBER INDICATES BLOCKED TERMINAL POSITION CAVITY WITHOUT A NUMBER INDICATES OPEN TERMINAL POSITION										BACKSHELL WITH RIBS	BACKSHELL WITHOUT RIBS			
		HOUSING KEY/COLOR	GROMMET CAP	PLR	MAT SEAL	1	2	3	4	5	6	7	8							
KEY A, BLACK	33482-0801	A-BLK	GCO	PLR	M-R											SALEABLE		34950-0810	34950-0820	
KEY B, LIGHT GRAY	33482-0802	B-LG	GCO	PLR	M-R												SALEABLE		34950-0810	34950-0820
KEY C, BROWN	33482-0803	C-BR	GCO	PLR	M-R												NOT RECOMMENDED	SEE 33482-0852	34950-0810	34950-0820
KEY D, GREEN	33482-0804	D-GR	GCO	PLR	M-R												NOT RECOMMENDED	SEE 33482-0853	34950-0810	34950-0820
VOID KEY	33482-0805																			
KEY A, BLACK	33482-0806	A-BLK	GCP	PLR	M-R				4								SALEABLE		34950-0810	34950-0820
KEY B, LIGHT GRAY	33482-0807	B-LG	GCP	PLR	M-R				4								SALEABLE		34950-0810	34950-0820
KEY C, BROWN	33482-0808	C-BR	GCP	PLR	M-R				4								NOT RECOMMENDED		34950-0810	34950-0820
KEY D, GREEN	33482-0809	D-GR	GCP	PLR	M-R				4								NOT RECOMMENDED		34950-0810	34950-0820
VOID KEY	33482-0810																			
KEY A, BLACK	33482-0811	A-BLK	GCP	PLR	M-R				4	5							SALEABLE		34950-0810	34950-0820
KEY B, LIGHT GRAY	33482-0812	B-LG	GCP	PLR	M-R				4	5							SALEABLE		34950-0810	34950-0820
KEY C, BROWN	33482-0813	C-BR	GCP	PLR	M-R				4	5							NOT RECOMMENDED		34950-0810	34950-0820
KEY D, GREEN	33482-0814	D-GR	GCP	PLR	M-R				4	5							NOT RECOMMENDED		34950-0810	34950-0820
VOID KEY	33482-0815																			
KEY A, BLACK	33482-0816	A-BLK	GCP	PLR	M-R	1			4	5							SALEABLE		34950-0810	34950-0820
KEY B, LIGHT GRAY	33482-0817	B-LG	GCP	PLR	M-R	1			4	5							SALEABLE		34950-0810	34950-0820
KEY C, BROWN	33482-0818	C-BR	GCP	PLR	M-R	1			4	5							NOT RECOMMENDED		34950-0810	34950-0820
KEY D, GREEN	33482-0819	D-GR	GCP	PLR	M-R	1			4	5							NOT RECOMMENDED		34950-0810	34950-0820
VOID KEY	33482-0820																			
KEY A, BLACK	33482-0821	A-BLK	GCP	PLR	M-R	1			4	5				8			SALEABLE		34950-0810	34950-0820
KEY B, LIGHT GRAY	33482-0822	B-LG	GCP	PLR	M-R	1			4	5				8			SALEABLE		34950-0810	34950-0820
KEY C, BROWN	33482-0823	C-BR	GCP	PLR	M-R	1			4	5				8			NOT RECOMMENDED		34950-0810	34950-0820
KEY D, GREEN	33482-0824	D-GR	GCP	PLR	M-R	1			4	5				8			NOT RECOMMENDED		34950-0810	34950-0820
VOID KEY	33482-0825																			
KEY A, BLACK	33482-0826	A-BLK	GCP	PLR	M-R	1	2	3				6	7	8			SALEABLE		34950-0810	34950-0820
KEY A, BLACK	33482-0827	A-BLK	GCP	PLR	M-R									8			SALEABLE		34950-0810	34950-0820
KEY A, BLACK	33482-0828	A-BLK	GCP	PLR	M-R			3									SALEABLE		34950-0810	34950-0820
KEY A, BLACK	33482-0829	A-BLK	GCP	PLR	M-R		2	3	4	5		6	7				SALEABLE		34950-0810	34950-0820
KEY A, BLACK	33482-0830	A-BLK	GCP	PLR	M-R							6					SALEABLE		34950-0810	34950-0820
KEY A, BLACK	33482-0831	A-BLK	GCP	PLR	M-R						3	5	6				SALEABLE		34950-0810	34950-0820
KEY A, BLACK	33482-0832	A-BLK	GCP	PLR	M-R							5	6	8			SALEABLE		34950-0810	34950-0820
KEY A, BLACK	33482-0833	A-BLK	GCP	PLR	M-R	1		3				5					SALEABLE		34950-0810	34950-0820
KEY A, BLACK	33482-0834	A-BLK	GCP	PLR	M-R	1	2	3	4	5		6	7	8			SALEABLE		34950-0810	34950-0820
KEY A, BLACK	33482-0835	A-BLK	GCP	PLR	M-R									7	8		SALEABLE		34950-0810	34950-0820
KEY A, BLACK	33482-0836	A-BLK	GCP	PLR	M-R		2	3				6	7	8			SALEABLE		34950-0810	34950-0820
KEY A, BLACK	33482-0837	A-BLK	GCP	PLR	M-R	1			4								SALEABLE		34950-0810	34950-0820
KEY A, BLACK	33482-0838	A-BLK	GCP	PLR	M-R		2	3		5		6	7	8			SALEABLE		34950-0810	34950-0820
KEY B, LIGHT GRAY	33482-0839	B-LG	GCP	PLR	M-R									8			SALEABLE		34950-0810	34950-0820
KEY A, BLACK	33482-0840	A-BLK	GCP	PLR	M-R		2	3		5		6		8			SALEABLE		34950-0810	34950-0820
KEY A, BLACK	33482-0841	A-BLK	GCP	PLR	M-R							6	7				SALEABLE		34950-0810	34950-0820
KEY A, BLACK	33482-0842	A-BLK	GCP	PLR	M-R								7				SALEABLE		34950-0810	34950-0820
KEY A, BLACK	33482-0843	A-BLK	GCP	PLR	M-R				4					7			SALEABLE		34950-0810	34950-0820
KEY A, BLACK	33482-0844	A-BLK	GCP	PLR	M-R			3				6					SALEABLE		34950-0810	34950-0820
KEY A, BLACK	33482-0845	A-BLK	GCP	PLR	M-R		2	3	4	5		6					SALEABLE		34950-0810	34950-0820
KEY A, BLACK	33482-0846	A-BLK	GCP	PLR	M-R				4	5				7	8		SALEABLE		34950-0810	34950-0820
KEY B, LIGHT GRAY	33482-0847	B-LG	GCP	PLR	M-R	1	2	3	4	5		6	7	8			SALEABLE		34950-0810	34950-0820
KEY A, BLACK	33482-0848	A-BLK	GCP	PLR	M-R	1				5							SALEABLE		34950-0810	34950-0820

MX150 2X4 BLADE SEALED ASSEMBLY MAT SEAL
BOM AND PIN OUT SHEET

ASSEMBLY DESCRIPTION	ASSEMBLY PART NUMBER	COMPONENT				BLOCKED TERMINALS								STATUS	COMMENTS	OPTIONAL ATTACHMENTS SOLD SEPERATELY		
		THE PRESENCE OF AN ABBREVIATION INDICATES THE PRESENCE OF THAT COMPONENT.				CAVITY WITH A NUMBER INDICATES BLOCKED TERMINAL POSITION CAVITY WITHOUT A NUMBER INDICATES OPEN TERMINAL POSITION										BACKSHELL WITH RIBS	BACKSHELL WITHOUT RIBS	
		HOUSING KEY/COLOR	GROMMET CAP	PLR	MAT SEAL	1	2	3	4	5	6	7	8					
KEY A, BLACK	33482-4843	A-BLK	GCP	PLR	M-B				4			7			NOT VALIDATED		34950-0810	34950-0820
KEY A, BLACK	33482-4844	A-BLK	GCP	PLR	M-B			3			6				NOT VALIDATED		34950-0810	34950-0820
KEY A, BLACK	33482-4845	A-BLK	GCP	PLR	M-B		2	3	4	5	6				NOT VALIDATED		34950-0810	34950-0820
KEY A, BLACK	33482-4846	A-BLK	GCP	PLR	M-B				4	5		7	8		NOT VALIDATED		34950-0810	34950-0820
KEY B, LIGHT GRAY	33482-4847	B-LG	GCP	PLR	M-B	1	2	3	4	5	6	7	8		NOT VALIDATED		34950-0810	34950-0820
KEY A, BLACK	33482-4848	A-BLK	GCP	PLR	M-B	1				5					NOT VALIDATED		34950-0810	34950-0820
KEY B, LIGHT GRAY	33482-4849	B-LG	GCP	PLR	M-B	1					6				NOT VALIDATED		34950-0810	34950-0820
KEY A, YELLOW	33482-4850	A-YW	GCP	PLR	M-B	1			4						NOT VALIDATED		34950-0810	34950-0820
KEY A, YELLOW	33482-4851	A-YW	GCO	PLR	M-B										NOT VALIDATED		34950-0810	34950-0820
KEY C, DARK GRAY	33482-4852	C-DG	GCO	PLR	M-B										NOT VALIDATED		34950-0810	34950-0820
KEY D, STONE GRAY	33482-4853	D-SG	GCO	PLR	M-B										NOT VALIDATED		34950-0810	34950-0820
KEY A, BLACK	33482-4854	A-BLK	GCP	PLR	M-B	1	2	3	4						NOT VALIDATED		34950-0810	34950-0820
KEY A, BLACK	33482-4855	A-BLK	GCP	PLR	M-B	1	2			5	6	7	8		NOT VALIDATED		34950-0810	34950-0820
KEY A, BLACK	33482-4856	A-BLK	GCP	PLR	M-B	1	2								NOT VALIDATED		34950-0810	34950-0820
KEY A, BLACK	33482-4857	A-BLK	GCP	PLR	M-B	1	2	3		5					NOT VALIDATED		34950-0810	34950-0820
KEY A, BLACK	33482-4858	A-BLK	GCP	PLR	M-B	1	2	3	4	5			8		NOT VALIDATED		34950-0810	34950-0820
KEY A, BLACK	33482-4859	A-BLK	GCP	PLR	M-B	1		3		5	6	7			NOT VALIDATED		34950-0810	34950-0820
KEY A, BLACK	33482-4860	A-BLK	GCP	PLR	M-B	1	2	3	4	5	6				NOT VALIDATED		34950-0810	34950-0820
KEY A, BLACK	33482-4861	A-BLK	GCP	PLR	M-B	1	2	3			6				NOT VALIDATED		34950-0810	34950-0820
KEY A, BLACK	33482-4862	A-BLK	GCP	PLR	M-B	1					6				NOT VALIDATED		34950-0810	34950-0820
KEY A, BLACK	33482-4863	A-BLK	GCP	PLR	M-B	1					6	7	8		NOT VALIDATED		34950-0810	34950-0820
KEY A, BLACK	33482-4864	A-BLK	GCP	PLR	M-B			3	4	5	6	7	8		NOT VALIDATED		34950-0810	34950-0820
KEY A, BLACK	33482-4865	A-BLK	GCP	PLR	M-B				4			7	8		NOT VALIDATED		34950-0810	34950-0820
KEY A, BLACK	33482-4866	A-BLK	GCP	PLR	M-B				4	5	6	7	8		NOT VALIDATED		34950-0810	34950-0820
KEY A, BLACK	33482-4867	A-BLK	GCP	PLR	M-B		2	3	4		6	7	8		NOT VALIDATED		34950-0810	34950-0820
KEY A, BLACK	33482-4868	A-BLK	GCP	PLR	M-B					5	6	7			NOT VALIDATED		34950-0810	34950-0820
KEY A, BLACK	33482-4869	A-BLK	GCP	PLR	M-B			3	4						NOT VALIDATED		34950-0810	34950-0820
KEY A, BLACK	33482-4870	A-BLK	GCP	PLR	M-B						6	7	8		NOT VALIDATED		34950-0810	34950-0820
KEY B, LIGHT GRAY	33482-4871	B-LG	GCP	PLR	M-B							7	8		NOT VALIDATED		34950-0810	34950-0820
KEY A, BLACK	33482-4872	A-BLK	GCP	PLR	M-B	1							8		NOT VALIDATED		34950-0810	34950-0820
KEY A, BLACK	33482-4873	A-BLK	GCP	PLR	M-B						6		8		NOT VALIDATED		34950-0810	34950-0820
KEY A, BLACK	33482-4874	A-BLK	GCP	PLR	M-B		2			5					NOT VALIDATED		34950-0810	34950-0820
KEY A, BLACK	33482-4875	A-BLK	GCP	PLR	M-B					5					NOT VALIDATED		34950-0810	34950-0820
KEY B, LIGHT GRAY	33482-4876	B-LG	GCP	PLR	M-B	1		3					8		NOT VALIDATED		34950-0810	34950-0820
KEY B, LIGHT GRAY	33482-4877	B-LG	GCP	PLR	M-B			3					8		NOT VALIDATED		34950-0810	34950-0820
KEY B, LIGHT GRAY	33482-4878	B-LG	GCP	PLR	M-B	1									NOT VALIDATED		34950-0810	34950-0820
KEY A, BLACK	33482-4879	A-BLK	GCP	PLR	M-B	1	2	3	4	5		7			NOT VALIDATED		34950-0810	34950-0820
KEY A, BLACK	33482-4880	A-BLK	GCP	PLR	M-B	1									NOT VALIDATED		34950-0810	34950-0820
KEY A, BLACK	33482-4881	A-BLK	GCP	PLR	M-B					5			8		NOT VALIDATED		34950-0810	34950-0820

MX150 2X6 BLADE SEALED ASSY MAT SEAL
BOM AND PIN OUT SHEET

Table with columns: ASSEMBLY DESCRIPTION, ASSEMBLY PART NUMBER, COMPONENT (HOUSING KEY/COLOR, GROMMET CAP, PLR, MAT SEAL), BLOCKED TERMINALS (1-12), STATUS, COMMENTS, and OPTIONAL ATTACHMENTS SOLD SEPERATELY (BACKSHELL WITH RIBS, BACKSHELL WITHOUT RIBS).

**MX150 2X6 BLADE SEALED ASSY MAT SEAL
BOM AND PIN OUT SHEET**

ASSEMBLY DESCRIPTION	ASSEMBLY PART NUMBER	COMPONENT				BLOCKED TERMINALS												STATUS	COMMENTS	OPTIONAL ATTACHMENTS SOLD SEPERATELY	
		THE PRESENCE OF AN ABBREVIATION INDICATES THE PRESENCE OF THAT COMPONENT.				CAVITY WITH A NUMBER INDICATES BLOCKED TERMINAL POSITION CAVITY WITHOUT A NUMBER INDICATES OPEN TERMINAL POSITION														BACKSHELL WITH RIBS	BACKSHELL WITHOUT RIBS
		HOUSING KEY/COLOR	GROMMET CAP	PLR	MAT SEAL	1	2	3	4	5	6	7	8	9	10	11	12				
KEY A, BLACK	33482-6379	A-BLK	GCP	PLR	M-B	1		3		5			8		10	11	12	SALEABLE		34950-1210	34950-1220
KEY A, BLACK	33482-6380	A-BLK	GCP	PLR	M-B		2					7	8					SALEABLE		34950-1210	34950-1220
KEY A, BLACK	33482-6381	A-BLK	GCP	PLR	M-B		2		4			7	8					SALEABLE		34950-1210	34950-1220
KEY A, BLACK	33482-6382	A-BLK	GCP	PLR	M-B				4	5	6		8		10	11		SALEABLE		34950-1210	34950-1220
KEY A, BLACK	33482-6383	A-BLK	GCP	PLR	M-B	1	2	3	4			7	8	9	10	11		SALEABLE		34950-1210	34950-1220
KEY A, BLACK	33482-6384	A-BLK	GCP	PLR	M-B			3	4					9	10			SALEABLE		34950-1210	34950-1220
KEY A, BLACK	33482-6385	A-BLK	GCP	PLR	M-B			3	4						11	12		SALEABLE		34950-1210	34950-1220
KEY A, BLACK	33482-6386	A-BLK	GCP	PLR	M-B	1	2	3	4		6	7	8	9	10	11		SALEABLE		34950-1210	34950-1220
KEY A, BLACK	33482-6387	A-BLK	GCP	PLR	M-B	1	2	3	4	5	6	7	8	9			12	SALEABLE		34950-1210	34950-1220
KEY A, BLACK	33482-6388	A-BLK	GCP	PLR	M-B	1	2	3							10	11	12	SALEABLE		34950-1210	34950-1220
KEY A, BLACK	33482-6389	A-BLK	GCP	PLR	M-B	1	2	3			6					11	12	SALEABLE		34950-1210	34950-1220
KEY A, BLACK	33482-6390	A-BLK	GCP	PLR	M-B	1		3	4							11		SALEABLE		34950-1210	34950-1220
KEY A, BLACK	33482-6391	A-BLK	GCP	PLR	M-B	1	2	3			6				10	11	12	SALEABLE		34950-1210	34950-1220
KEY A, BLACK	33482-6392	A-BLK	GCP	PLR	M-B	1		3	4							11	12	SALEABLE		34950-1210	34950-1220
KEY A, BLACK	33482-6393	A-BLK	GCP	PLR	M-B				4	5		7				11	12	SALEABLE		34950-1210	34950-1220

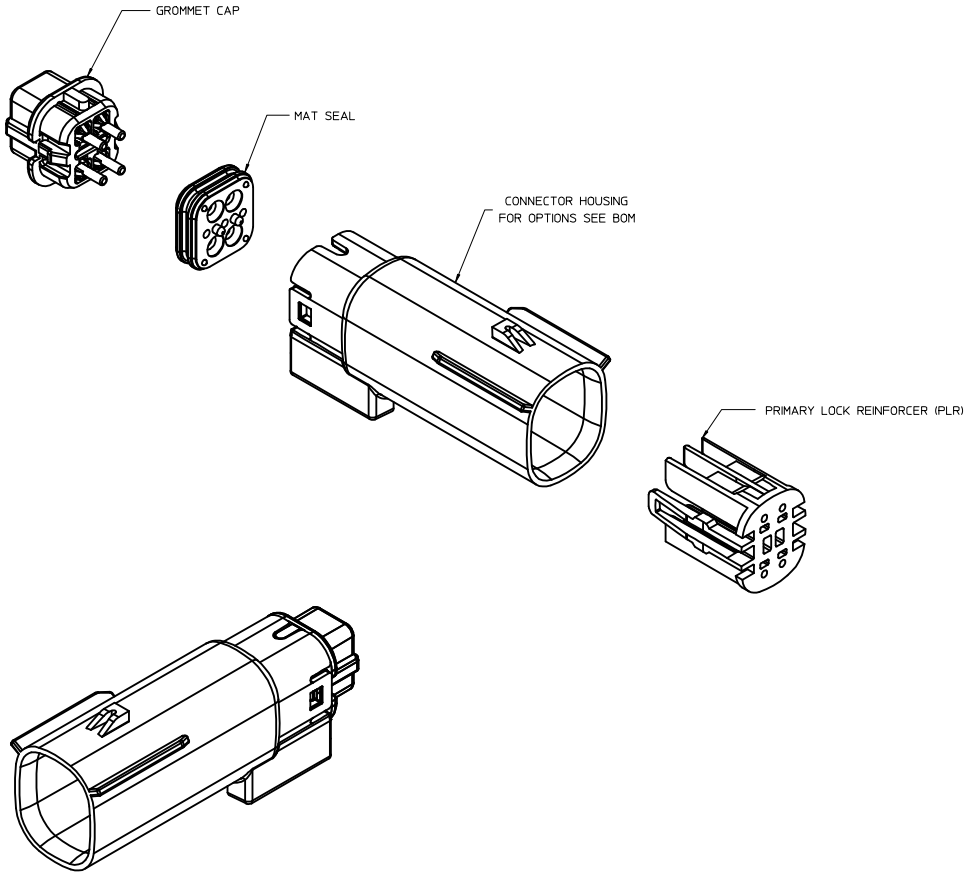
MX150 2X8 BLADE SEALED ASSY MAT SEAL
BOM AND PIN OUT SHEET

Table with columns: ASSEMBLY DESCRIPTION, ASSEMBLY PART NUMBER, COMPONENT (HOUSING KEY/COLOR, GROMMET CAP, PLR, MAT SEAL), BLOCKED TERMINALS (1-16), STATUS, COMMENTS, and OPTIONAL ATTACHMENTS SOLD SEPERATELY (BACKSHELL WITH RIBS, BACKSHELL WITHOUT RIBS). Rows include various key assemblies like KEY D, STONE GRAY, KEY A, BLACK, KEY B, LIGHT GRAY, KEY C, BROWN, KEY D, GREEN, KEY A, BLK, KEY B, LG, KEY C, BR, KEY D, GR, etc.

MX150 2X8 BLADE SEALED ASSY MAT SEAL
BOM AND PIN OUT SHEET

ASSEMBLY DESCRIPTION	ASSEMBLY PART NUMBER	COMPONENT				BLOCKED TERMINALS																STATUS	COMMENTS	OPTIONAL ATTATCHMENTS SOLD SEPERATELY		
		THE PRESENCE OF AN ABBREVIATION INDICATES THE PRESENCE OF THAT COMPONENT.				CAVITY WITH A NUMBER INDICATES BLOCKED TERMINAL POSITION CAVITY WITHOUT A NUMBER INDICATES OPEN TERMINAL POSITION																		BACKSHELL WITH RIBS	BACKSHELL WITHOUT RIBS	
		HOUSING KEY/COLOR	GROMMET CAP	PLR	MAT SEAL	1	2	3	4	5	6	7	8	9	10	11	12	13	14	15	16					
KEY A, BLACK	33482-8813	A-BLK	GCP	PLR	M-B				4	5	6	7			10				14	15	16	SALEABLE				
KEY A, BLACK	33482-8814	A-BLK	GCP	PLR	M-B							7			10							SALEABLE				
KEY A, BLACK	33482-8815	A-BLK	GCP	PLR	M-B	1		3		5	6						12	13				SALEABLE				
KEY A, BLACK	33482-8816	A-BLK	GCP	PLR	M-B			3		5	6	7			10			13	14	15	16	SALEABLE				
KEY A, BLACK	33482-8817	A-BLK	GCP	PLR	M-B											11	12		14	15	16	SALEABLE				
KEY A, BLACK	33482-8818	A-BLK	GCP	PLR	M-B					6	7	8			10	11	12	13	14	15		SALEABLE				
KEY A, BLACK	33482-8819	A-BLK	GCP	PLR	M-B	1	2						9	10	11	12	13	14			16	SALEABLE				
KEY A, BLACK	33482-8820	A-BLK	GCP	PLR	M-B		2					7		9		12	13	14			16	SALEABLE				
KEY A, BLACK	33482-8821	A-BLK	GCP	PLR	M-B		2	3				7		9	10	11				15	16	SALEABLE				
KEY A, BLACK	33482-8822	A-BLK	GCP	PLR	M-B	1			4	5	6		8				12	13	14			SALEABLE				

TABLE OF CONTENTS	
SHEET NO.	SHEET DESCRIPTION
1	NOTES
2	KEY CONFIGURATIONS
3	BLADE SEALED ASSEMBLY
4	SYSTEM PACKAGING
5	BOM



NOTES: VALID UNLESS OTHERWISE SPECIFIED

1. GENERAL:
 a. APPLICATION SPECIFICATION SEE: AS-33472-100
 CONTAINS: PRODUCT INTRODUCTION, PRODUCT SUMMARY, CONNECTOR ASSEMBLY, PACKAGING INFORMATION, CONNECTOR MATING, SERVICE INSTRUCTIONS, ELECTRICAL CONTINUITY CHECKING, CRIMPING, AND TROUBLESHOOTING.
 -DESIGNED TO MATE WITH RECEPTACLE SEALED ASSEMBLY SPECIFIED IN MOLEX DRAWING SD-33472-041.
 -FOR 15mm BLADE TERMINALS TO BE USED WITH THIS ASSEMBLY SEE MOLEX DRAWING SD-33000-001.
 - SYSTEM TO BE USED WITH WIRE WITH DIAMETER RANGE OF 1.4mm TO 2.69mm.
 -ASSEMBLY SHIPPED WITH PLR IN PRE-LOCK POSITION
 -IN THE EVENT THAT THE PLR IS FOUND IN THE SEATED (FINAL LOCK) POSITION, REFER TO MOLEX SPECIFICATION PS-34646-001, AVAILABLE AT www.molex.com <<http://www.molex.com>>
 -ASSEMBLY CONFORMS TO SAE/USCAR-2 REV.4 WITH THE FOLLOWING EXCEPTIONS:
 TERMINAL INSERTION FORCE FOR WIRE DIAMETER ABOVE 2.5mm NOT EXCEEDING 2.69mm SHALL NOT EXCEED 45 NEWTONS.
 b. PRODUCT SPECIFICATION SEE: PS-33472-000
 CONTAINS: PRODUCT INTRODUCTION, PRODUCT SUMMARY, RATINGS (CURRENT, TEMPERATURE, SEALING, AND FLAMMABILITY), AND PRODUCT VALIDATION.
 c. PACKAGING SPECIFICATION PER MOLEX DRAWING: PK-31300-635
 d. PARTS MUST BE IN COMPLIANCE TO MOLEX CHEMICAL SUBSTANCES FOR PRODUCTS AND PACKAGING SPECIFICATION: ES-40000-5016
 e. DATA MUST BE SUBMITTED UNDER THE MOLEX PART NUMBER TO IMDS (COMPANY ID#13255)

2. DESIGN - MATERIALS:
 a. CONNECTOR HOUSING, GROMMET CAP, PLR: SPS/NYLON 20% GLASS FILLED
 b. MAT SEAL: INTERNALLY LUBRICATED SILICONE

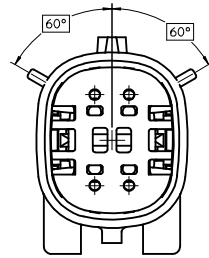
3. DESIGN - GEOMETRY:
 a. THIS IS A 100% CAD GENERATED PART. THE CAD MATHEMATICAL DATA IS THE MASTER FOR THIS PART. FOR DIMENSIONAL OR ANY INFORMATION NOT SHOWN ON THIS DRAWING, ANALYZE THE CAD MODEL.
 b. GEOMETRIC DIMENSIONS AND TOLERANCES PER ASME Y14.5M - 1994
 c. EDGES AND UNDIMENSIONED DETAILS PER ISO13715
 d. CORNERS SHOWN AS SHARP TO BE R 0.2 MAX.
 e. LETTERING SHALL BE 0.15 MAX RAISED IN 0.25 MAX RECESS PAD. THIS INCLUDES RECYCLING CODE, CAVITY ID, VENDOR IDENTIFICATION, AND CUSTOMER MATERIAL NUMBER.
 f. VISUAL DEFECTS SHALL MEET COSMETIC STANDARD PS-45499-002 (Class B)
 g. LASER MARKING: TBD

INSPECTION NUMBER LOG
 LAST NUMBER USED:
 ADDED:
 REMOVED:

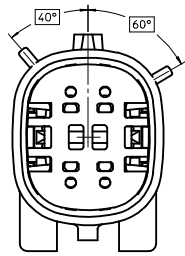
REV	DESCRIPTION
V	UPDATED STATUS AND COMMENTS COLUMNS
U	ADD NEW P/N 33482-4417
T	ADD NEW P/N 33482-4415 33482-4416
S	ADD NEW P/N 33482-4413
R	ADD NEW P/N 33482-4412
Q	UPDATED GROMMET CAP
P3	UPDATED DIMENSIONS
P2	UPDATED DIMENSIONS TO MATCH MODEL
P1	UPDATED NOTES
P	REDRAWN

REVISIONS EC NO: UALU2016-0465 DRAWN BY: DRWNAPROFFITT 2015/10/06 CHECKED BY: CHYKOBORUSZESKI 2015/10/06 APPR: IKOSHY 2015/10/07	QUALITY SYMBOLS	GENERAL TOLERANCES (UNLESS SPECIFIED)	DIMENSION STYLE	SCALE	DESIGN UNITS	THIRD ANGLE PROJECTION	
	▽=0	mm INCH	MM ONLY	3:1	METRIC	☉	
	▽=0	4 PLACES ± --- ± --- 3 PLACES ± --- ± --- 2 PLACES ± 0.10 ± --- 1 PLACE ± 0.3 ± --- 0 PLACE ± ±	DRAWN BY: MYANSLAMBROU 04-27-06 CHECKED BY: DGRIFFI THS 06-22-06 APPROVED BY: SMARCEAU 06-22-06	TITLE	MX150 2X2 BLADE SEALED ASSEMBLY MAT SEAL		
	▽=0	ANGULAR ± 3 ° DRAFT WHERE APPLICABLE MUST REMAIN WITHIN DIMENSIONS	MATERIAL NO. SEE BOM	DOCUMENT NO.	SD-33482-041		
SHEET NO. 1 OF 5		THIS DRAWING CONTAINS INFORMATION THAT IS PROPRIETARY TO MOLEX INCORPORATED AND SHOULD NOT BE USED WITHOUT WRITTEN PERMISSION					

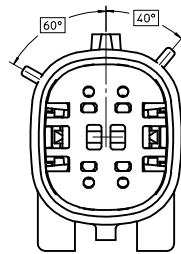
KEY CONFIGURATIONS



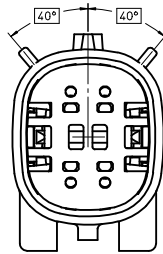
KEY A



KEY B

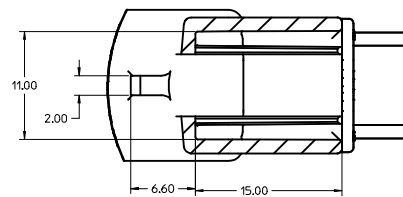
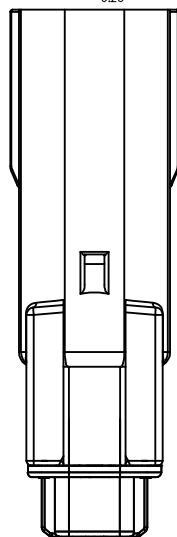
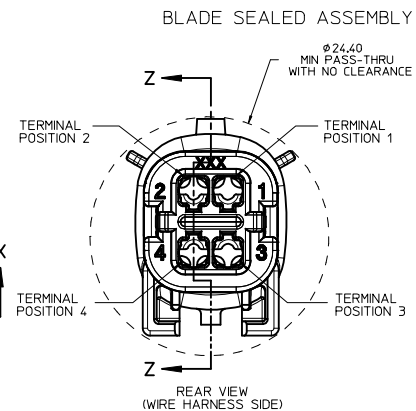
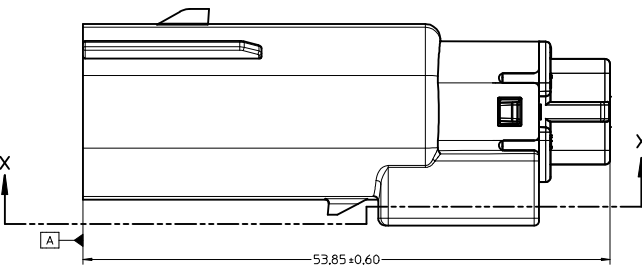
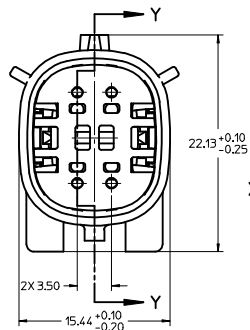
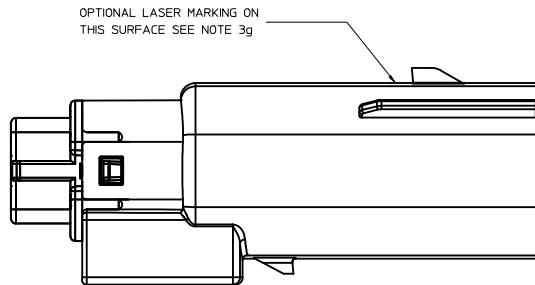


KEY C

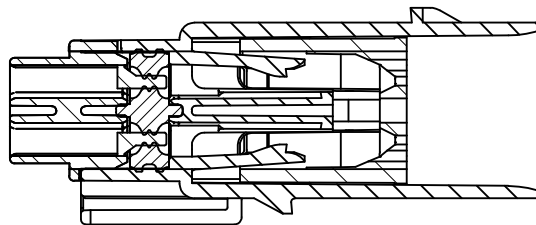


KEY D

REVISED IEC NO. UAU2016-0465 DRAWN: PROFFITT 2015/10/06 CHECKED: BRUSZENSKI 2015/10/06 APPR: IKOSHY 2015/10/07	QUALITY SYMBOLS	GENERAL TOLERANCES (UNLESS SPECIFIED)	DIMENSION STYLE	SCALE	DESIGN UNITS	THIRD ANGLE PROJECTION
	▽=0	mm INCH	MM ONLY	4:1	METRIC	☉
	▽=0	4 PLACES ± --- ± ---	DRAWN BY DATE	TITLE		
	▽=0	3 PLACES ± --- ± ---	MYANSLAMBROU 04-27-06	MX150 2X2 BLADE SEALED ASSEMBLY MAT SEAL		
	2 PLACES ± 0.10 ± ---	CHECKED BY DATE	MATERIAL NO.			
	1 PLACE ± 0.3 ± ---	DGRIFFITHS 06-22-06	SD-33482-041			
	0 PLACE ± ±	APPROVED BY DATE	DOCUMENT NO.			
		SMARCEAU 06-22-06	SEE BOM			
		ANGULAR ± 3 °	SHEET NO.			
		DRAFT WHERE APPLICABLE MUST REMAIN WITHIN DIMENSIONS	2 OF 5			
			THIS DRAWING CONTAINS INFORMATION THAT IS PROPRIETARY TO MOLEX INCORPORATED AND SHOULD NOT BE USED WITHOUT WRITTEN PERMISSION			

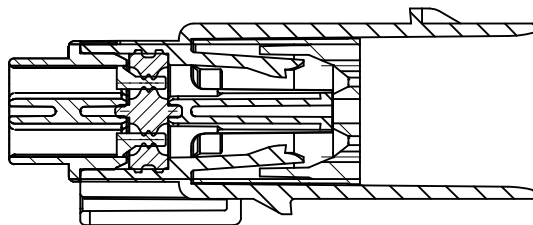


PARTIAL X-X
SCALE 4:1



PRIMARY LOCK REINFORCER (PLR) SHOWN
IN PRE-STAGED POSITION

SECTION Z-Z



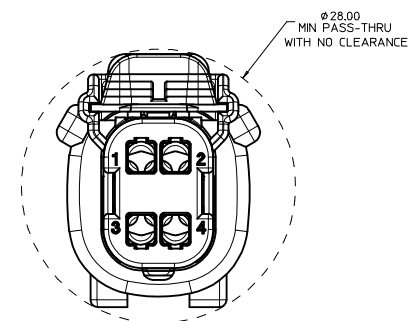
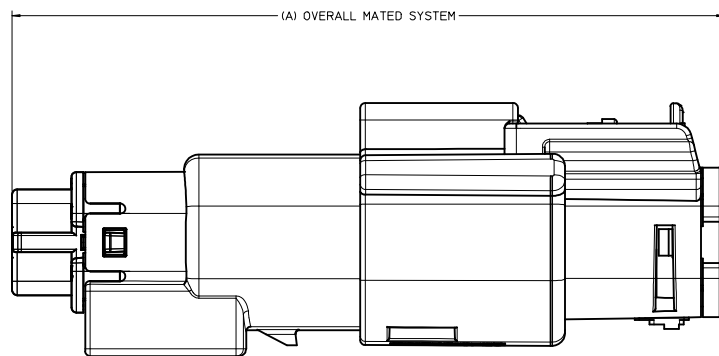
PRIMARY LOCK REINFORCER (PLR) SHOWN
IN FINAL LOCK POSITION

SECTION Y-Y

REVISED IEC NO. UAU2016-0465 DRAWN BY: 2015/10/06 CHYKORUSZENSKI 2015/10/06 APPR: VIOSHY 2015/10/07 REVISION DESCRIPTION	QUALITY SYMBOLS	GENERAL TOLERANCES (UNLESS SPECIFIED)	DIMENSION STYLE	SCALE	DESIGN UNITS	THIRD ANGLE PROJECTION
	∇=0 ∇=0 ∇=0	4 PLACES ± mm ± INCH 3 PLACES ± --- ± --- 2 PLACES ± 0.10 ± --- 1 PLACE ± 0.3 ± --- 0 PLACE ± ±	MM ONLY	4:1	METRIC	☉ THIRD ANGLE PROJECTION
	MATERIAL NO. SEE BOM DATE 04-27-06 DATE 06-22-06 DATE 06-22-06	DRAWN BY: MYANSLAMBROU CHECKED BY: DGRIFITHS APPROVED BY: SMARCEAU	TITLE: MX150 2X2 BLADE SEALED ASSEMBLY MAT SEAL DOCUMENT NO. SD-33482-041	SHEET NO. 3 OF 5		
	THIS DRAWING CONTAINS INFORMATION THAT IS PROPRIETARY TO MOLEX INCORPORATED AND SHOULD NOT BE USED WITHOUT WRITTEN PERMISSION					

20 19 18 17 16 15 14 13 12 11 10 9 8 7 6 5 4 3 2 1

SYSTEM PACKAGING



CHARTED DIMENSIONS		
RECEPTACLE ASSY PART NUMBER	CONFIGURATION	A
33472-0401 THRU 33472-0452	MX150 2X2 RECEPTACLE SEALED ASSEMBLY - STANDARD	72.78
33472-4401 THRU 33472-4412	MX150 2X2 RECEPTACLE SEALED ASSEMBLY - LENGTHENED	77.21

REVISED IEC NO. UAU2016-0465 DRAWN/PROFIT 2015/10/06 CHYKORUSZENSKI 2015/10/06 APPR:VKOSHY 2015/10/07	QUALITY SYMBOLS	GENERAL TOLERANCES (UNLESS SPECIFIED)	DIMENSION STYLE	SCALE	DESIGN UNITS	THIRD ANGLE PROJECTION
	▽=0	4 PLACES ± mm ± INCH	MM ONLY	4:1	METRIC	☉
	▽=0	3 PLACES ± 0.10 ± 0.004 ± 0.0015	DRAWN BY MYANSLAMBROU 04-27-06	DATE	TITLE	
	▽=0	2 PLACES ± 0.3 ± 0.012 ± 0.0045	CHECKED BY DGRIFITHS 06-22-06	DATE	MX150 2X2 BLADE SEALED ASSEMBLY MAT SEAL	
		1 PLACE ± 0.3 ± 0.012 ± 0.0045	APPROVED BY SMARCEAU 06-22-06	DATE		
		0 PLACE ± ±	MATERIAL NO. SEE BOM	DOCUMENT NO. SD-33482-041	SHEET NO. 4 OF 5	
		ANGULAR ± 3 °	THIS DRAWING CONTAINS INFORMATION THAT IS PROPRIETARY TO MOLEX INCORPORATED AND SHOULD NOT BE USED WITHOUT WRITTEN PERMISSION			
		DRAFT WHERE APPLICABLE MUST REMAIN WITHIN DIMENSIONS				

19 18 17 16 15 14 13 12 11 10 9 8 7 6 5 4 3 2 1

ASSEMBLY PART NUMBER	COLOR	KEYING OPTION	CAVITY TYPE & STATUS (X = PLUGGED)				STATUS	COMMENTS
			1	2	3	4		
33482-0401	BLACK	A						
33482-0402	LIGHT GRAY	B						
33482-0403	BROWN	C						
33482-0404	GREEN	D						
33482-0406	BLACK	A		X				
33482-0407	LIGHT GRAY	B		X				
33482-0408	BROWN	C		X				
33482-0409	GREEN	D		X				
33482-0411	BLACK	A		X	X			
33482-0412	LIGHT GRAY	B		X	X			
33482-0413	BROWN	C		X	X			
33482-0414	GREEN	D		X	X			
33482-0416	BLACK	A	X	X	X	X		
33482-0417	LIGHT GRAY	B	X	X	X	X		
33482-0418	BROWN	C	X	X	X	X		
33482-0419	GREEN	D	X	X	X	X		
33482-0421	BLACK	A	X	X	X			
33482-0422	BLACK	A					X	
33482-0423	BLACK	A				X	X	
33482-0424	BLACK	A				X		
33482-0425	BLACK	A	X	X				
33482-4403	DARK GRAY	C						
33482-4404	STONE GRAY	D						
33482-4405	DARK GRAY	C		X				
33482-4406	STONE GRAY	D		X				
33482-4407	DARK GRAY	C		X	X			
33482-4408	STONE GRAY	D		X	X			
33482-4409	DARK GRAY	C	X	X	X	X		
33482-4410	STONE GRAY	D	X	X	X	X		
33482-4411	BLACK	A		X		X		
33482-4412	YELLOW	A						
33482-4413	LIGHT GRAY	B	X					
33482-4415	BLACK	A	X		X			
33482-4416	DARK GRAY	C		X		X		
33482-4417	LIGHT GRAY	B		X		X		

PLANNED OBSOLESCENCE
SEE DRAWING SD-33482-0002
FOR REPLACEMENT P/N

REPLACEMENT P/N'S ARE:
33482-04XX TO 33482-40XX
33482-44XX TO 33482-41XX

REVISED IEC NO. UAU2016-0465 DRAWN APPROFIT 2015/10/06 CHYKORUSZENSKI 2015/10/06 APPR:VKOSHY 2015/10/07	QUALITY SYMBOLS	GENERAL TOLERANCES (UNLESS SPECIFIED)	DIMENSION STYLE	SCALE	DESIGN UNITS	THIRD ANGLE PROJECTION
	▽=0	mm INCH	MM ONLY		METRIC	
	▽=0	4 PLACES ± 0.10	DRAWN BY MYANSLAMBROU 04-27-06	DATE	TITLE	
	▽=0	3 PLACES ± 0.03	CHECKED BY DGRIFITHS 06-22-06	DATE	MX150 2X2 BLADE SEALED ASSEMBLY MAT SEAL	
	ANGULAR ± 3°	DRAFT WHERE APPLICABLE MUST REMAIN WITHIN DIMENSIONS	MATERIAL NO. SEE BOM	APPROVED BY SMARCEAU 06-22-06	DATE	DOCUMENT NO. SD-33482-041
			SIZE D	THIS DRAWING CONTAINS INFORMATION THAT IS PROPRIETARY TO MOLEX INCORPORATED AND SHOULD NOT BE USED WITHOUT WRITTEN PERMISSION		SHEET NO. 5 OF 5