

# TK 77 – Polystyrene and Polycarbonate – 65 x 65 mm (2.56 x 2.56 in.)

## Standard Features

- **Protection Level:** IP66 (NEMA Type: 4X with gray cover, 12K with transparent cover)
- **Technical:** Smooth or Knockout Sidewalls  
Gray or Tinted Transparent Cover  
Multiple Enclosure Mounting Options
- **UL Recognized**  
**Enclosure Materials:** Polystyrene or Polycarbonate
- **Gasket Material:** Polyurethane
- **Color:** Light Gray
- **Material**  
**Temperature Range:** Polystyrene  
-25°C to 70°C (-13°F to 158°F)  
Polycarbonate  
-40°C to 120°C (-40°F to 248°F)
- **Accessories:** See section below



## Smooth Sidewalls

Ordering Information	Height mm (in)	Polystyrene				Polycarbonate			
		Cat. No.	Type	Cover Color	Std. Pk.	Cat. No.	Type	Cover Color	Std. Pk.
☐ Enclosure - low cover	57 mm (2.24 in)	110-401	PS 77-6-o	gray	5	120-401	PC 77-6-o	gray	5
☐ Enclosure - high cover	81 mm (3.19 in)	110-901	PS 77-8-o	gray	5	120-901	PC 77-8-o	gray	5
☐ Enclosure - low cover	57 mm (2.24 in)	111-001	PS 77-6-to	trans.	5	130-001	PC 77-6-to	trans.	5
☐ Enclosure - high cover	81 mm (3.19 in)	111-501	PS 77-8-to	trans.	5	130-501	PC 77-8-to	trans.	5

## Sidewalls with Metric Knockouts

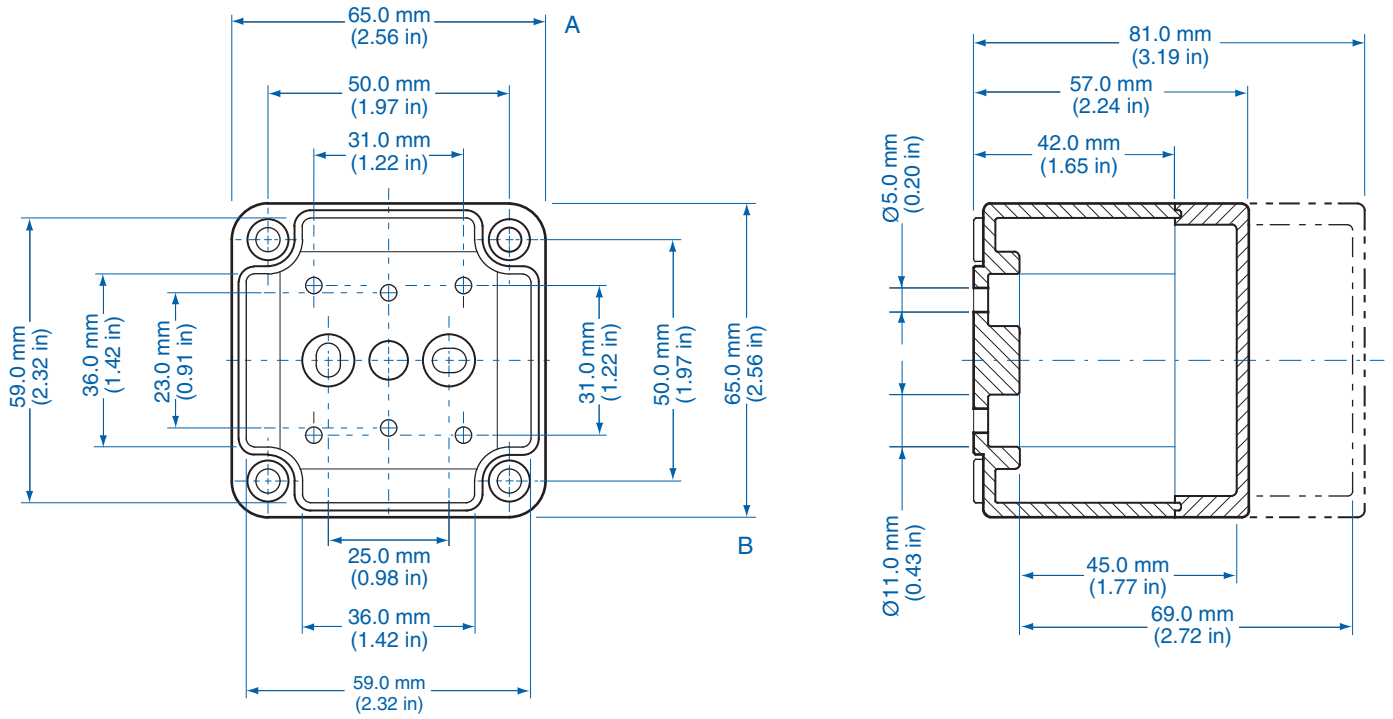
Ordering Information	Height mm (in)	Polystyrene				Polycarbonate			
		Cat. No.	Type	Cover Color	Std. Pk.	Cat. No.	Type	Cover Color	Std. Pk.
☐ Enclosure - low cover	57 mm (2.24 in)	105-401	PS 77-6-m	gray	5	127-401	PC 77-6-m	gray	5
☐ Enclosure - high cover	81 mm (3.19 in)	105-901	PS 77-8-m	gray	5	127-901	PC 77-8-m	gray	5
☐ Enclosure - low cover	57 mm (2.24 in)	106-001	PS 77-6-tm	trans.	5	137-001	PC 77-6-tm	trans.	5
☐ Enclosure - high cover	81 mm (3.19 in)	106-501	PS 77-8-tm	trans.	5	137-501	PC 77-8-tm	trans.	5

## Accessories

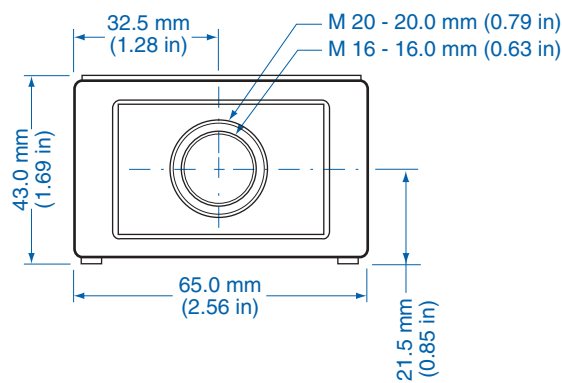
Ordering Information	Cat. No.	Type	Std. Pk.
Mounting Plate (plastic)	195-001	TKMPI-77	1
Mounting Plate (steel)	197-001	TKMPS-77	1
DIN Rail TS15-49.5mm	197-049	TS 15/49.5	1
Hinge Kit Set	190-002	HK1	1
Mounting Tab Kit	194-001	MT1	1

Please refer to pages 136-140 for additional accessories and detailed information.

**Dimensions**



**Knockout Positions**  
(all 4 sides)



# Mouser Electronics

Authorized Distributor

Click to View Pricing, Inventory, Delivery & Lifecycle Information:

[Altech:](#)

[130-501](#) [111-501](#) [130-001](#) [110-901](#) [111-001](#) [120-901](#) [120-401](#) [110-401](#)