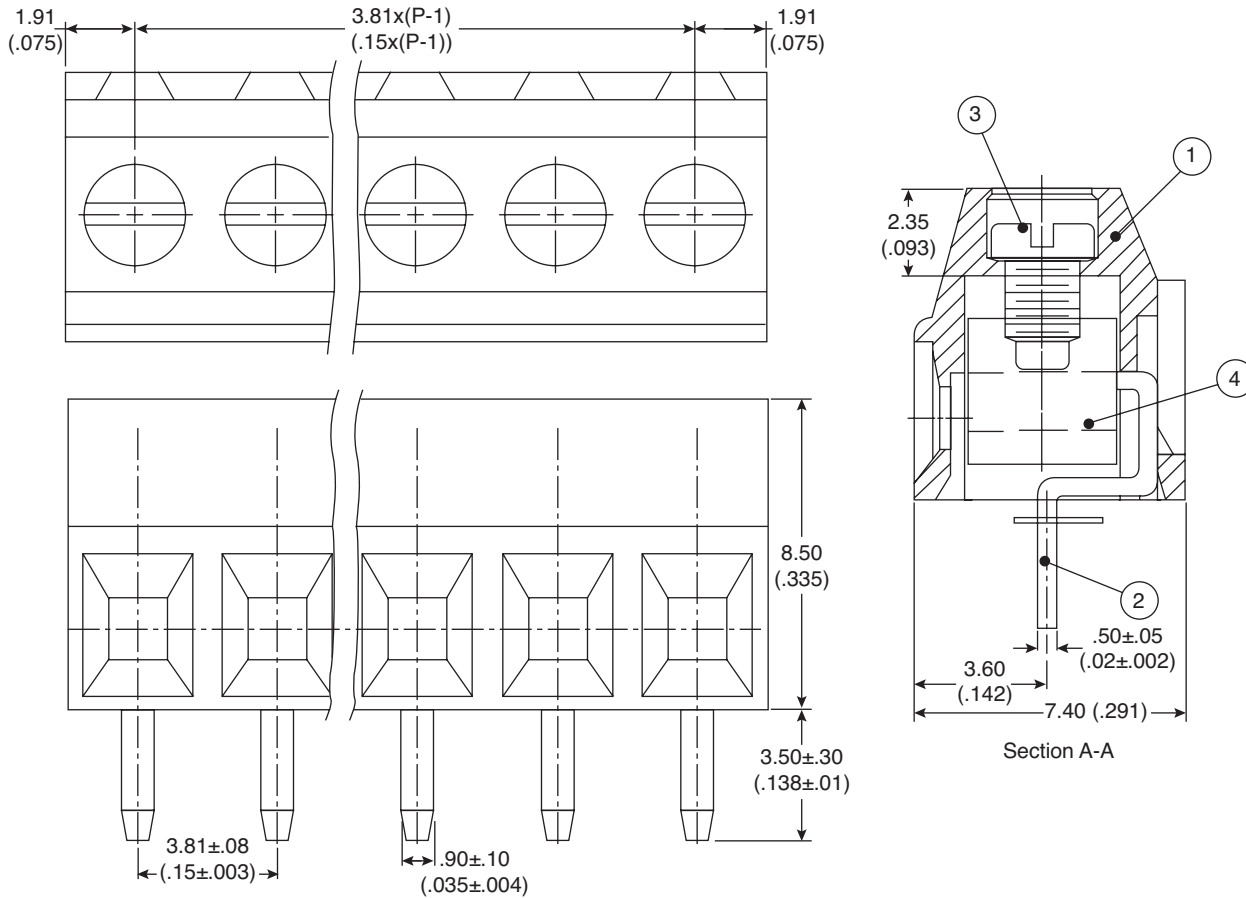


Terminal Blocks

158-P02EK381V2-E, 158-P02EK381V3-E, 158-P02EK381V4-E, 158-P02EK381V5-E,
 158-P02EK381V6-E, 158-P02EK381V7-E, 158-P02EK381V8-E, 158-P02EK381V9-E,
 158-P02EK381V10-E, 158-P02EK381V11-E, 158-P02EK381V12-E



Terminal Blocks



Dimensions: mm (in.)

SPECIFICATIONS

Rating:	300V 12A
PITCH:	3.81mm
Insulation withstands voltage:	AC 1500V/Min
Insulation resistance:	500MΩ or more at DC500V
Temperature range:	-40°C~+105°C
Screw torque value:	2kgf-cm
Electric wire:	AWG 16~22

MATERIAL SPECIFICATIONS

Wire cage (4):	brass M2/Ni plated
Screw (3):	steel M2/Zn plated
Solder pin (2):	copper tin plated
Housing (1):	PA66 green
RoHS Compliant	

Date Last Revised: 3-7-07

Available from Mouser Electronics
 1-800-346-6873 / www.mouser.com

KC-300992

Specifications are subject to change without notice. No liability or warranty implied by this information. Environmental compliance based on producer documentation.

158-P02EK381V2-E, 158-P02EK381V3-E, 158-P02EK381V4-E, 158-P02EK381V5-E,
 158-P02EK381V6-E, 158-P02EK381V7-E, 158-P02EK381V8-E, 158-P02EK381V9-E,
 158-P02EK381V10-E, 158-P02EK381V11-E, 158-P02EK381V12-E

Mouser Electronics

Authorized Distributor

Click to View Pricing, Inventory, Delivery & Lifecycle Information:

[Kobiconn:](#)

[158-P02EK381V12-E](#) [158-P02EK381V10-E](#) [158-P02EK381V11-E](#) [158-P02EK381V7-E](#) [158-P02EK381V3-E](#) [158-P02EK381V5-E](#) [158-P02EK381V9-E](#) [158-P02EK381V2-E](#) [158-P02EK381V6-E](#) [158-P02EK381V8-E](#) [158-P02EK381V4-E](#)