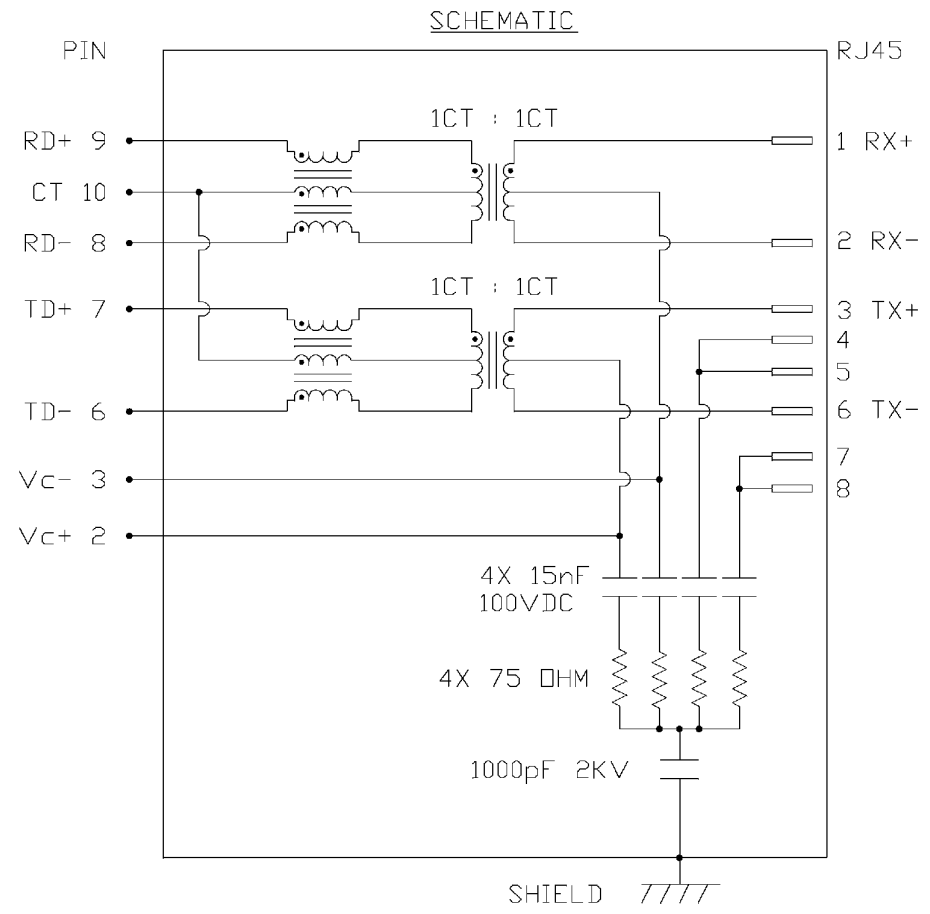


THE INFORMATION CONTAINED HEREIN IS CONSIDERED "PROPRIETARY" TO BEL FUSE INC. AND SHALL NOT BE COPIED, REPRODUCED OR DISCLOSED WITHOUT THE WRITTEN APPROVAL OF BEL FUSE INC.



ELECTRICAL CHARACTERISTICS @ 25°C

TURNS RATIO DCL @ 0.1V, 100KHz 8mA DC BIAS INSERTION LOSS 100KHz TO 100MHz RETURN LOSS (MIN.) 2MHz-30MHz 60MHz-80MHz LEAKAGE INDUCTANCE PRIMARY W/ SECONDARY SHORTED D.C. RESISTANCE (9-8)=(7-6) (RJ1-RJ2)=(RJ3-RJ6) INTERWINDING CAPACITANCE PER CHANNEL (PRI. to SEC.) XTALK 100KHz TO 100MHz HIPOT (Isolation Voltage): 100% OF PRODUCTION TESTED TO COMPLY WITH IEEE 802.3 ISOLATION REQUIREMENTS. BALANCED DC LINE CURRENT	1CT : 1CT ±2% 350 μH MIN. -1.5 dB MAX. -16 dB MIN. -10 dB MIN. 0.25 μH MAX. @ 1MHz 1.40 ΩH . 1.00 ΩH . 40 pF MAX. -30 dB MIN. 2250 VDC 350 mA MAX. @ 57 VDC CONTINUOUS 500 mA MAX. @ 57 VDC FOR 200 MILLISECONDS
---	--

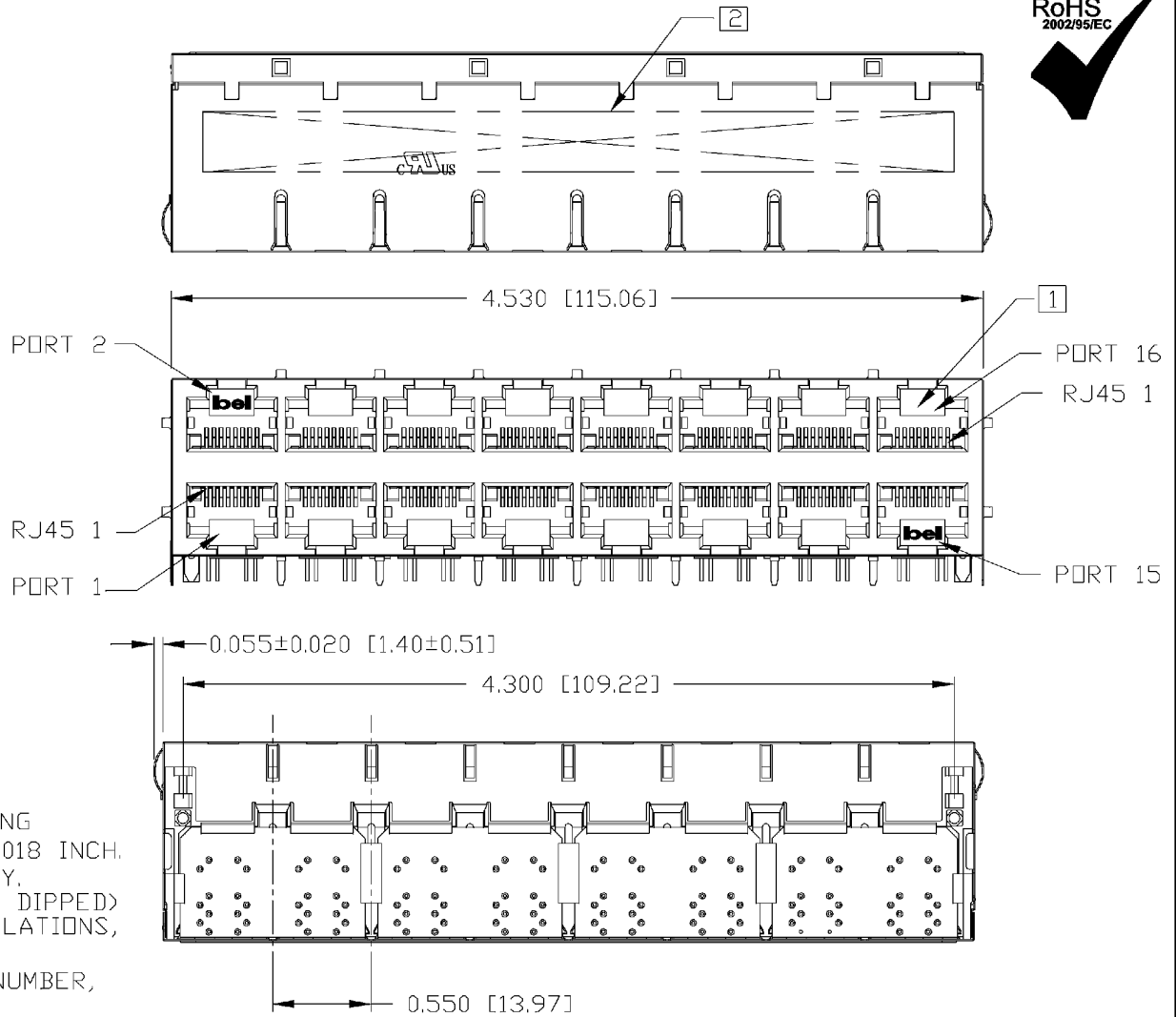
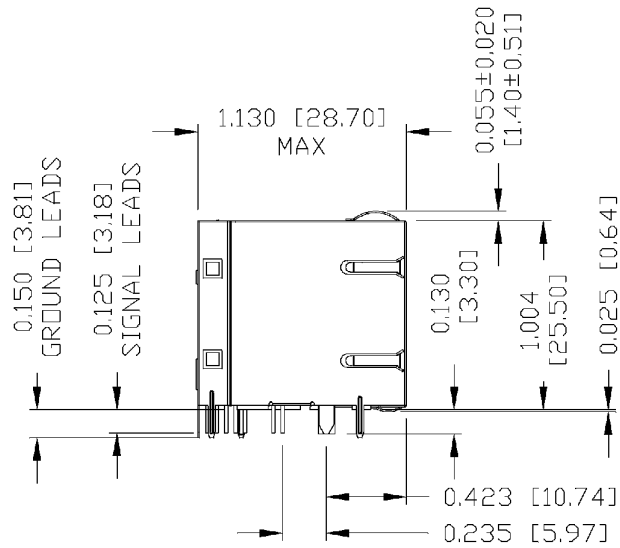


ORIGINATED BY CHOW WANCHUNG	DATE 11-13-07	TITLE 2X8 MagJack® (VOIP) 0833-2X8R-55-F	PART NO. / DRAWING NO. 08332X8R55-F	STANDARD DIM. TOL. IN INCH	[] METRIC DIM. AS REFERENCE	COMPONENTS FOR A CONNECTED PLANET
DRAWN BY LEE WEIDE	DATE 11-13-07		FILE NAME 08332X8R55-F_A.DWG	.X .XX .XXX	UNIT : INCH [mm] SCALE : N/A	

DC002(2)032305

This document is electronically generated. This is a controlled copy if used internally

THE INFORMATION CONTAINED HEREIN IS CONSIDERED "PROPRIETARY" TO BEL FUSE INC. AND SHALL NOT BE COPIED, REPRODUCED OR DISCLOSED WITHOUT THE WRITTEN APPROVAL OF BEL FUSE INC.



NOTES:

PLASTIC HOUSING: THERMOPLASTIC PBT
 FLAMMABILITY RATING UL 94V-0
 CONTACT PLATING: 50 MICRO-INCH HARD GOLD PLATING
 OUTPUT PINS: TIN-COATED COPPER WIRE, DIA 0.018 INCH.
 METAL SHIELD: NICKEL PLATED ON COPPER ALLOY.
 (ALL GROUND LEADS ARE SOLDER DIPPED)

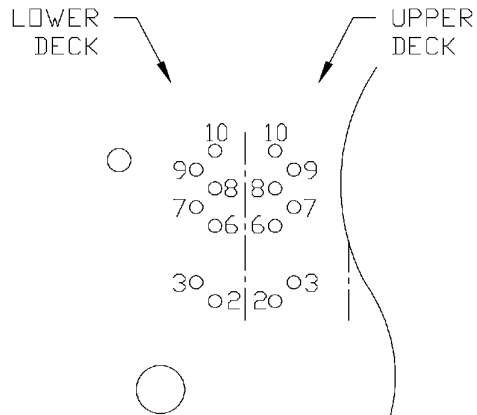
- 1. JACK CAVITY CONFORMS TO FCC RULES AND REGULATIONS, PART 68 SUBPART F.
- 2. MARK PART WITH MFG LOGO , MFG NAME , PART NUMBER, AND DATE CODE .

UL US UL RECOGNIZED - FILE #E196366 AND E169987.
 RoHS COMPLIANT, PER EU DIRECTIVE 2002/95/EC

ORIGINATED BY CHEN BILL	DATE 11-13-07	TITLE 2X8 MagJack® (V0IP) 0833-2X8R-55-F	PART NO. / DRAWING NO. 08332X8R55-F	STANDARD DIM. TOL. IN INCH	[] METRIC DIM. AS REFERENCE	 COMPONENTS FOR A CONNECTED PLANET										
DRAWN BY LIU QIN	DATE 11-13-07		FILE NAME 08332X8R55-F_A.DWG	<table border="1"> <tr> <td>.X</td> <td></td> </tr> <tr> <td>.XX</td> <td></td> </tr> <tr> <td>.XXX</td> <td>±0.010</td> </tr> </table>	.X			.XX		.XXX	±0.010	<table border="1"> <tr> <td>UNIT : INCH [mm]</td> <td>REV. : A</td> </tr> <tr> <td>SCALE : N/A</td> <td>SIZE : A4</td> </tr> <tr> <td></td> <td>PAGE : 3</td> </tr> </table>	UNIT : INCH [mm]	REV. : A	SCALE : N/A	SIZE : A4
.X																
.XX																
.XXX	±0.010															
UNIT : INCH [mm]	REV. : A															
SCALE : N/A	SIZE : A4															
	PAGE : 3															

THE INFORMATION CONTAINED HEREIN IS CONSIDERED "PROPRIETARY" TO BEL FUSE INC. AND SHALL NOT BE COPIED, REPRODUCED OR DISCLOSED WITHOUT THE WRITTEN APPROVAL OF BEL FUSE INC.

RoHS
2002/95/EC

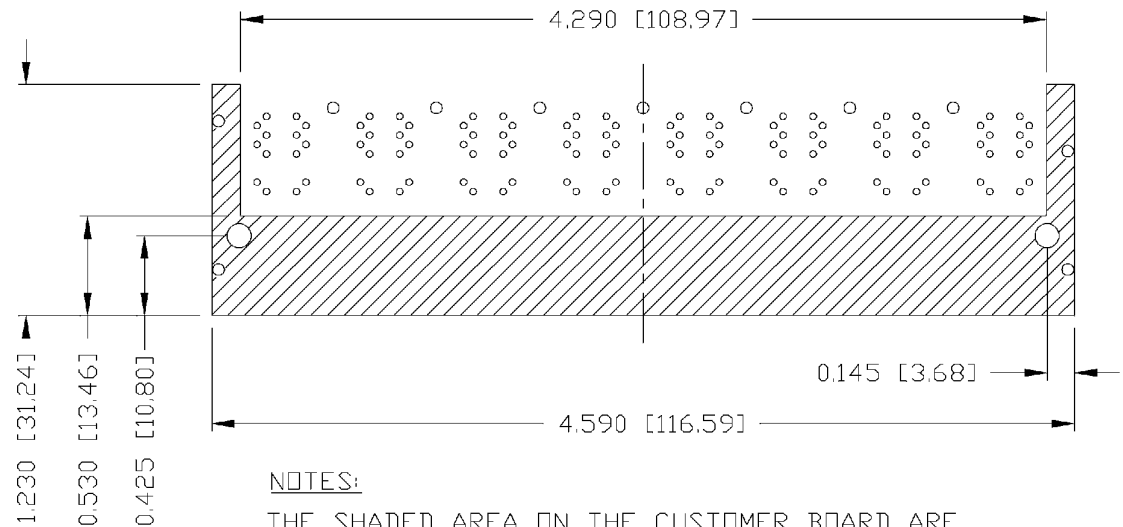
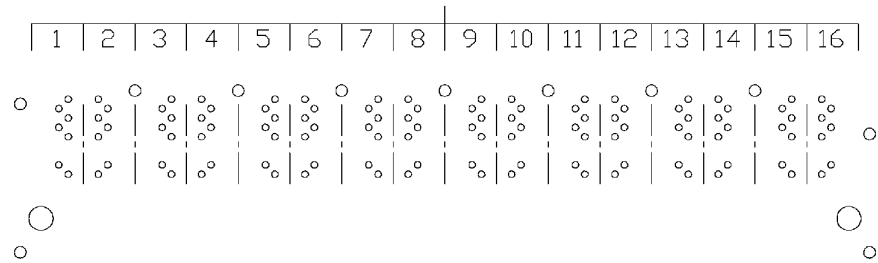


PIN-OUT INFORMATION
(COMPONENT SIDE VIEW)

10	COMMON CT
9	RD+
8	RD-
7	TD+
6	TD-
5	NO PIN
4	NO PIN
3	V _{C-}
2	V _{C+}
1	NO PIN

UNUSED PIN LOCATIONS MUST BE REMOVED TO ENSURE 2KV ISOLATION.

PORT ASSIGNMENT
(COMPONENT SIDE VIEW)



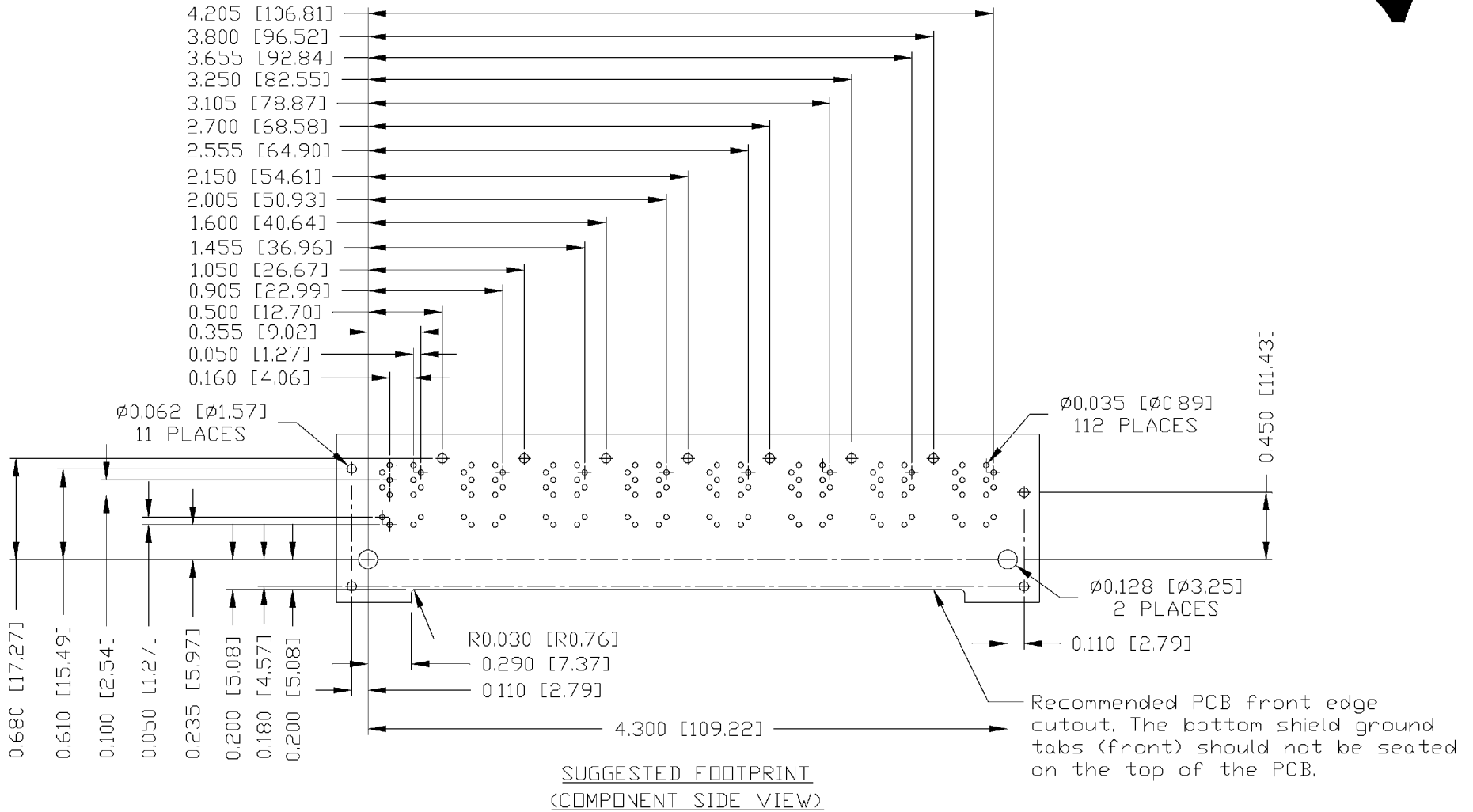
NOTES:


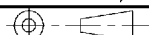
THE SHADED AREA ON THE CUSTOMER BOARD ARE RECOMMENDED TO BE CLEAR OFF ANY VIA HOLE OR COMPONENT PAD.

ORIGINATED BY CHEN BILL	DATE 11-13-07	TITLE 2X8 MagJack® (VOIP) 0833-2X8R-55-F	PART NO. / DRAWING NO. 08332X8R55-F	STANDARD DIM. TOL. IN INCH	[] METRIC DIM. AS REFERENCE	 COMPONENTS FOR A CONNECTED PLANET
DRAWN BY LIU QIN	DATE 11-13-07		FILE NAME 08332X8R55-F_A.DWG	.X .XX .XXX	UNIT : INCH [mm] SCALE : N/A	
				±0.004		

THE INFORMATION CONTAINED HEREIN IS CONSIDERED "PROPRIETARY" TO BEL FUSE INC. AND SHALL NOT BE COPIED, REPRODUCED OR DISCLOSED WITHOUT THE WRITTEN APPROVAL OF BEL FUSE INC.

RoHS
2002/95/EC

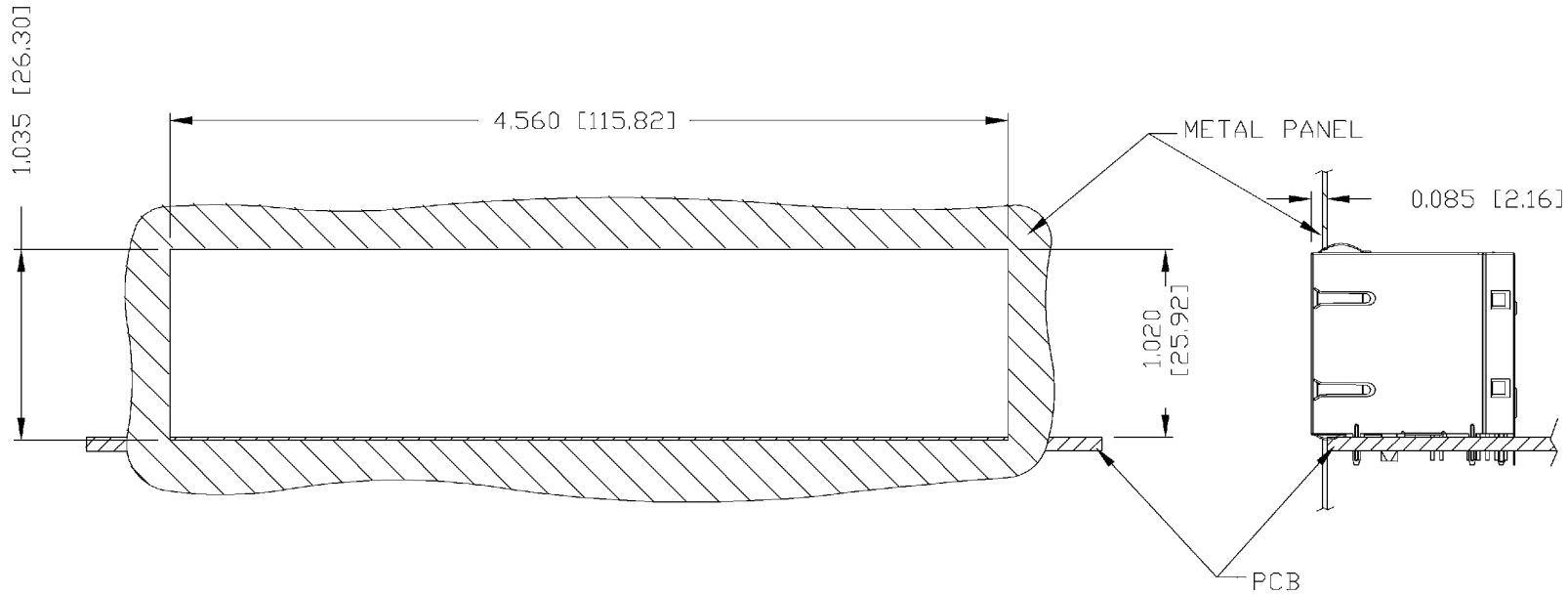


ORIGINATED BY CHEN BILL	DATE 11-13-07	TITLE 2X8 MagJack® (VQIP)	PART NO. / DRAWING NO. 08332X8R55-F	STANDARD DIM. TOL. IN INCH	[] METRIC DIM. AS REFERENCE	 COMPONENTS FOR A CONNECTED PLANET	
DRAWN BY LIU QIN	DATE 11-13-07	TITLE 0833-2X8R-55-F	FILE NAME 08332X8R55-F_A.DWG	.X	UNIT : INCH [mm]		REV. : A
				.XX	SCALE : N/A		SIZE : A4
				.XXX	±0.004		PAGE : 5

THE INFORMATION CONTAINED HEREIN IS CONSIDERED "PROPRIETARY" TO BEL FUSE INC. AND SHALL NOT BE COPIED, REPRODUCED OR DISCLOSED WITHOUT THE WRITTEN APPROVAL OF BEL FUSE INC.



SUGGESTED PANEL OPENING



NOTE:

THE DISTANCE OF PANEL INSIDE SURFACE RELATIVE TO FRONT SURFACE OF PART IS ONLY A SUGGESTION. IN CASE THIS DISTANCE IS DIFFERENT, THE REQUIRED PANEL OPENING DIMENSIONS CHANGE ACCORDINGLY.

PACKING INFORMATION

PACKING TRAY : 0200-9999-B2 (TOP)
0200-9999-B1 (BOTTOM)

PACKING QUANTITY : 10 PCS FINISHED GOODS PER TRAY
7 TRAYS (70 PCS FINISHED GOODS) PER CARTON BOX

NOTE : CARDBOARDS ARE PLACED BETWEEN LAYERS OF PACKING TRAY INSIDE CARTON BOX
(INCLUDE THE UPPERMOST AND LOWERMOST TRAY)

ORIGINATED BY CHEN BILL	DATE 11-13-07	TITLE 2X8 MagJack® (VOIP) 0833-2X8R-55-F	PART NO. / DRAWING NO. 08332X8R55-F	STANDARD DIM. TOL. IN INCH	[] METRIC DIM. AS REFERENCE	bel COMPONENTS FOR A CONNECTED PLANET
DRAWN BY LIU QIN	DATE 11-13-07		FILE NAME 08332X8R55-F_A.DWG	.X .XX .XXX	±0.004	