

# D2 - SERIES

## SPECIFICATIONS AND ORDERING INFORMATION

1" DIAMETER 0.55 AMP @ 28 VDC

The D2 Series switch is used where space is at a premium. This dual-ball side thrust index offers exceptional torque control and is available in 30°, 36°, 45°, and 60° angles. Standard designs utilize diallyl phthalate or ceramic insulation, solder lug terminals, and 30° adjustable stop indexing.



### SPECIFICATIONS

#### ELECTRICAL

**Current and Voltage Rating:** Make and break resistive load  
0.55 amp @ 28 VDC; 0.25 amp @ 115 VAC.  
**Current Carrying Capacity:** 7 amps.  
**Dielectric Strength:** 750 VAC between current carrying parts and ground.  
**Contact Resistance:** Average initial 5 milliohms.  
**Insulation Resistance:** Diallyl in excess of 900,000 megohms.  
Glass in excess of 750,000 megohms.  
Ceramic in excess of 1,000,000 megohms.  
**Hardware:** Mounting nut and lockwasher are shipped assembled.

#### MECHANICAL

**Materials and Finishes:** All parts utilize non-corrosive materials as standard.  
**Clips and Rotors:** Brass with silver plate as standard.  
**Insulation:** Diallyl phthalate, glass, or ceramic.  
**Index:** Dual-ball, side thrust design.  
**Index Life:** 25,000 cycles minimum.  
**Index Torque:** Switches have lowest practical torque consistent with crisp detenting and smooth, reliable operation.  
**Index Angles:** Positive 30° standard, 36°, 45°, and 60° available.  
**Index Stops:** Adjustable standard, fixed or continuous.  
**Stop Strength:** 10 in. lbs. minimum.

### STANDARD PART NUMBER

#### DIALLYL PHTHALATE INSULATION - ADJUSTABLE STOPS

SWITCHES - SOLDER LUG TERMINALS - 30° INDEX - SET @ 2 POS.

POLES	ACTIVE POSITIONS	POLES/SECTION	NO. OF SECTIONS	SHORTING	NON-SHORTING	FIG. *
01	02-12	1	1	D2D0112S	D2D0112N	DE
02	02-06	2	1	D2D0206S	D2D0206N	DL
02	02-12	1	2	D2D0212S	D2D0212N	DE
03	02-05	3	1	D2D0305S	D2D0305N	DO
03	02-12	1	3	D2D0312S	D2D0312N	DE
04	02-06	2	2	D2D0406S	D2D0406N	DL
06	02-05	3	2	D2D0605S	D2D0605N	DO
06	02-06	2	3	D2D0606S	D2D0606N	DL

#### CERAMIC INSULATION - ADJUSTABLE STOPS

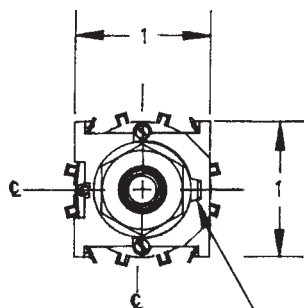
SWITCHES - SOLDER LUG TERMINALS - 30° INDEX - SET @ 2 POS. - 1/8 DIA. SHAFT

POLES	ACTIVE POSITIONS	POLES/SECTION	NO. OF SECTIONS	SHORTING	NON-SHORTING	FIG. *
01	02-11	1	1	D2C0111S	D2C0111N	DB
02	02-05	2	1	D2C0205S	D2C0205N	DG
02	02-11	1	2	D2C0211S	D2C0211N	DB
03	02-03	3	1	D2C0303S	D2C0303N	DN
03	02-11	1	3	D2C0311S	D2C0311N	DB
04	02-05	2	2	D2C0405S	D2C0405N	DG
06	02-05	2	3	D2C0605S	D2C0605N	DG
06	02-03	3	2	D2C0603S	D2C0603N	DN

\* FIGURES ARE SHOWN ON PAGES 55 AND 56.

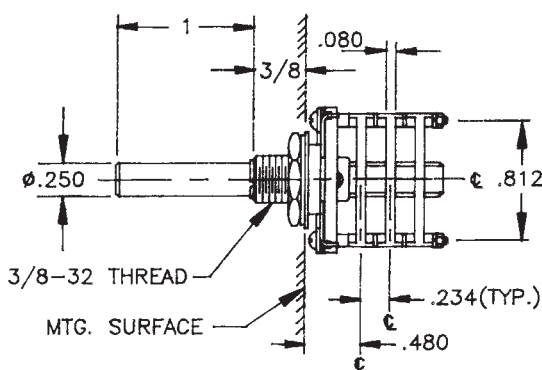
### DIMENSIONS

#### STANDARD CONSTRUCTION

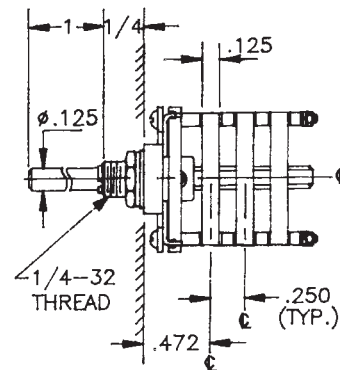


NON-TURN LUG  
.125W X .035 THK.  
.375 FROM  $\epsilon$   
.063 ENGAGEMENT

#### D2D DIALLYL PHTHALATE INSULATION



#### D2C CERAMIC INSULATION



## How to Order Additional Options:

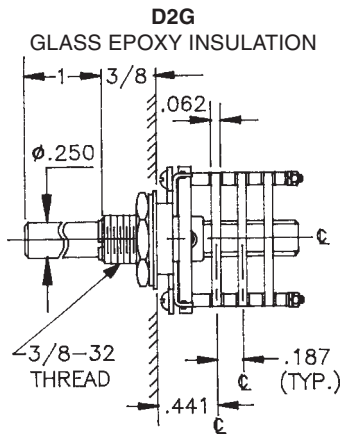
2 DIGIT SERIES	INSULATION TYPE	TOTAL POLES	ACTIVE POSITIONS	CONTACT TYPE	TERMINAL TYPE	INDEX ANGLE	STOP TYPE	SHAFT/ BUSHING	SHAFT FLAT
D2	D - DIALLYL (30°, 45°, 60°) G - GLASS (30°, 36°, 45°, 60°)	01 - MIN.	12 - MAX @ 30° 10 - MAX @ 36° 08 - MAX @ 45° 06 - MAX @ 60°	S - SHORTING N - NON SHORTING	L - SOLDER LUG V - VERT. P.C. 30° R - (REAR P.C. NOT CERAMIC)	30° 36° 45° 60°	A - ADJ. F - FIXED C - CONT.	SEE CHART "A"	SEE CHART "B"
D2	C - CERAMIC (30°, 60°) 1/8 SHAFT	01 - MIN.	11 - MAX @ 30°	S - SHORTING N - NON SHORTING	L - SOLDER LUG	30° 60°	A - ADJ. F - FIXED C - CONT.	SEE CHART "A"	SEE CHART "B"

CUSTOMERS SPECIFIED ORDER NUMBER FOR STANDARD OPTIONS

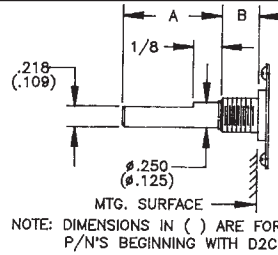


ADDITIONAL OPTIONS

### INSULATION OPTION



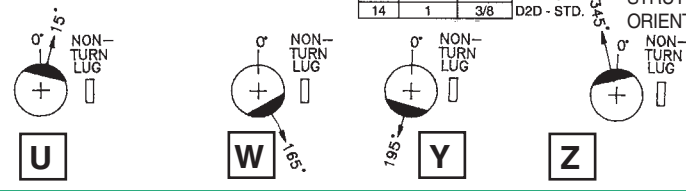
### SHAFT, BUSHING, AND FLAT OPTIONS



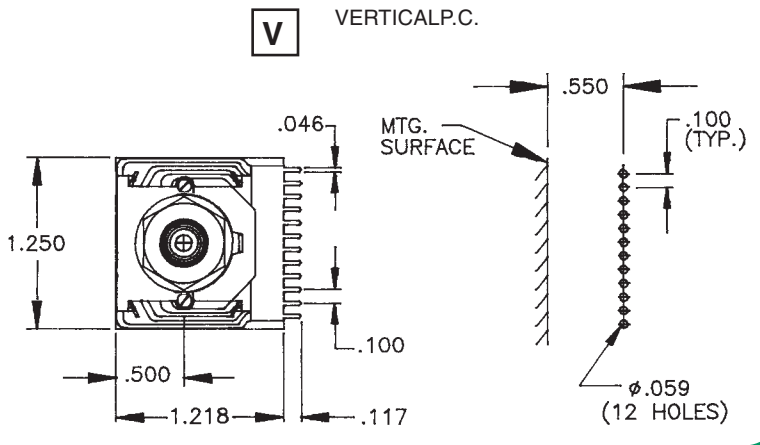
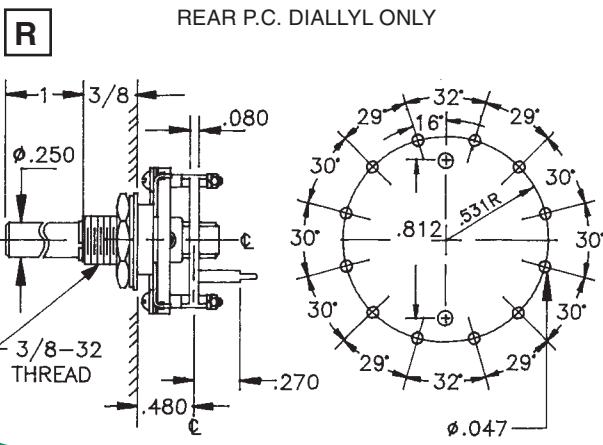
P/N OPT.	SHAFT LGTH. "A"	BUSH. LGTH. "B"
01	3/8	1/4
02	3/8	3/8
03	1/2	1/4
04	1/2	3/8
05	9/16	1/4
06	9/16	3/8
07	5/8	1/4
08	5/8	3/8
09	3/4	1/4
10	3/4	3/8
11	7/8	1/4
12	7/8	3/8
13	1	1/4
14	1	3/8

P/N OPT.	FLAT ANGLE
B	ROUND
U	15°
W	165°
Y	195°
Z	345°

SHAFT AS VIEWED WITH NON-TURN LUG AT 3 O'CLOCK AND SHAFT IN EXTREME CCW POSITION AND STRUT BOLTS ORIENTED VERTICALLY.



### PRINTED CIRCUIT BOARD TERMINAL OPTIONS



CUSTOM SWITCHES ARE AVAILABLE. CONTACT THE FACTORY WITH YOUR COMPLETE SPECIFICATIONS.

# Mouser Electronics

Authorized Distributor

Click to View Pricing, Inventory, Delivery & Lifecycle Information:

## Electroswitch:

[D2D0206N](#) [D2D0406N](#) [D2D0305N](#) [D2D0112N](#) [D2D-51](#) [D2D-55](#) [D2D-53](#) [D2-513](#) [D2C0111S](#) [D2D0212N](#)  
[D2D0212S](#) [D2D0206S](#) [D2-512](#) [D2D0312N](#) [D2C0303N](#) [D2D0606N](#) [D2D0112S](#) [D2D0406S](#)