

# ARK-3360L

## High Performance Mobile Intel® ATOM N450/D510 Fanless Solution with Dual Display and Multiple I/O

**NEW**



### Features

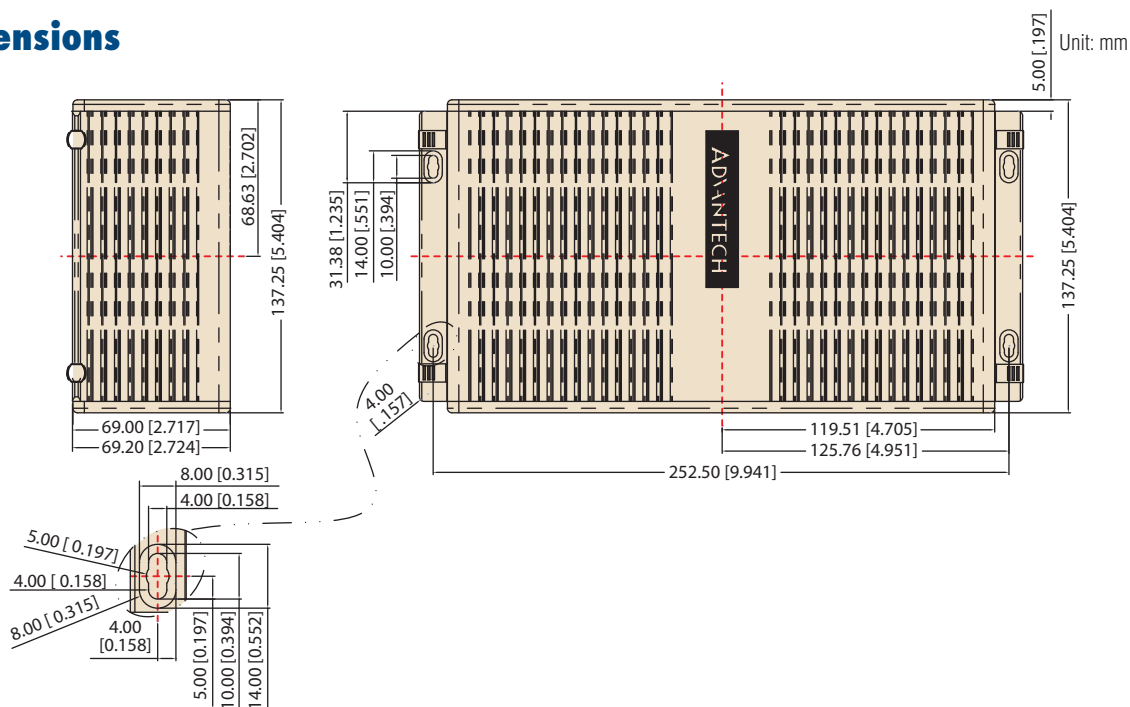
- Fanless, Intel® ATOM N450/D510 1.67GHz Compact Embedded Box IPC
- MiniPCIe expansion for communication module, i.e. HSDPA, WLAN
- Dual display and support for wide screen with high resolution
- ARK-3360L : Supports up to 2 x GbE, 6 x USB 2.0 and 4 x COMs ports
- Serial port support RS-485 auto flow control
- Easy integration, easy maintenance, and wide input voltage range
- IP40



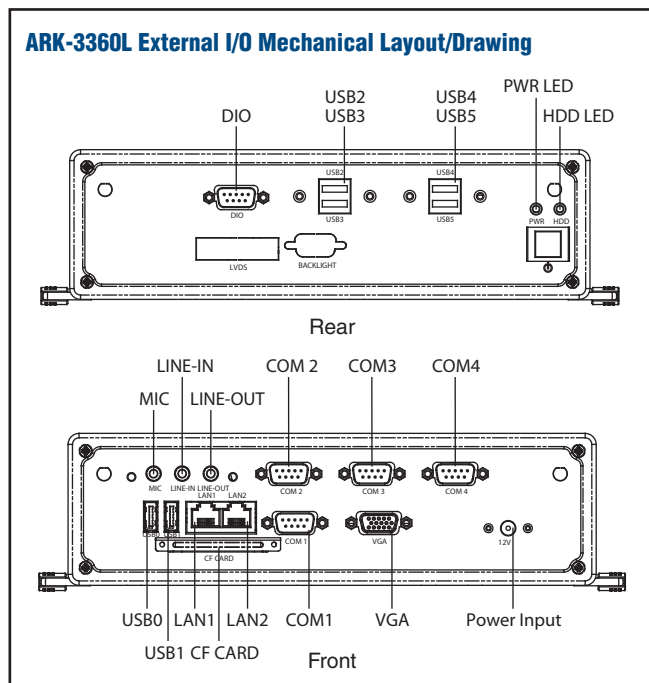
### Specifications

ARK-3360L-N4A1E/ARK-3360L-D5A1E		
Processor System	CPU	Intel® ATOM N450/D510
	Max. speed	1.67 GHz
	System Chipset	Intel™ Pineview-M + ICH8-M Chipset
	Front Side Bus	667 MHz
	BIOS	AMI 16 Mbit
Memory	Technology	DDR2 667 MHz
	Max. Capacity	2 GB
	Socket	1 x 200-pin SODIMM
Graphics	Chipset	Integrated graphics built in Intel® 3.5 generation
	Interface	CRT Interface - 18-bit LVDS interface (Optional)
Ethernet	LAN 1	10/100/1000 Mbps Ethernet controller, support Wake On LAN
	LAN 2	10/100/1000 Mbps Ethernet controller, support Wake On LAN
	LAN3	-
	Amplifier	-
Audio	Interface	Line-in, Line-out, Mic-in
	Serial Interface	3 x RS-232 port, 1 x RS-232/422/485 port
IO interface	USB Interface	6 x USB ports, Compliant with USB 2.0
	Digital I/O	8-Bits DIO
Others	GPS	-
	Thermal alarm	-
	Watchdog timer	255 levels timer interval, setup by software
	MiniPCI	-
Expansion	MiniPCIe	1 x Mini PCIe
	HDD	Supports drive bay space for 1 x SATA 2.5" HDD
Storage	SSD	Supports CompactFlash socket for type I/II CompactFlash disk
	Microsoft Windows	Vista, XP Professional, XP Embedded
Software support	Linux	Fedora 9.0
	Power Type	AT/ATX
Power requirement	Power Input Voltage	12V
	Minimum Power Input	12V, 1.12A
	Power Adapter	AC to DC, DC 12V/3.0A, 36W (Optional)
Power consumption	Typical	TBD
	Max.	TBD
Mechanical	Construction	Aluminum housing
	Mounting	Desk/wall-mounting
	Dimensions (W x H x D)	264.5 mm x 69.2 mm x 137.25 mm (10.41" x 2.72" x 5.4")
	Weight	2 kg (4.4 lb)
Environment	Operating Temperature	With Industrial Grade CompactFlash disk: -20 ~ 60° C (-4 ~ 140°F) With 2.5-inch hard disk 0 to 45° C (32 ~ 112° F) , with air flow
	Storage Temperature	-40 ~ 85° C (-40 ~ 185°F)
	Relative Humidity	95% @ 40° C (non-condensing)
	Vibration Loading During Operation	With CompactFlash disk: 5 Grms, IEC 60068-2-64, random, 5 ~ 500 Hz, 1 Oct./min, 1 hr/axis. With 2.5-inch hard disk: 1 Grms, IEC 60068-2-64, random, 5 ~ 500 Hz, 1 Oct./min, 1 hr/axis.
	Shock During Operation	With CompactFlash disk: 50 G, IEC 60068-2-27, half sine, 11 ms duration With hard disk: 20 G, IEC 60068-2-27, half sine, 11 ms duration
	EMC	CE/FCC Class A, CCC, BSMI
	Safety Certifications	UL, CCC, BSMI

## Dimensions



## ARK-3360L External I/O Mechanical Layout/Drawing



## Ordering Information

Part Number	Description
ARK-3360L-N4A1E	Intel Atom N450 1.67 GHz Compact Embedded Box IPC, w/ 2 x GbE, 6 x USB 2.0, 4 x COM, 1x MiniCPlE, VGA, DIO, Audio
ARK-3360L-D5A1E	Intel Atom D510 1.67 GHz Compact Embedded Box IPC, w/ 2 x GbE, 6 x USB 2.0, 4 x COM, 1x MiniCPlE, VGA, DIO, Audio

## Optional Items

Part Number	Description
1757002942	Adapter AC 90-264V 36W/12V W/ PFC FSP036-RAB For ARK-3360L
1700008921	POWER CORD 3P/3P POWER SUPPLY 1.8M ARK-5280 PSE
170203180A	Power cable 3P 183 cm UK type for LE-9702B-01 Ad
170203183C	Power CABLE 3P Europe (WS-010+083) 183 cm
1700001524	POWER CABLE 3P/3P POWER SUPPLY 1.8M FPM-306

## Mbedded OS

Part Number	Description
-------------	-------------

## Packing List

Part Number	Description
-	1 x ARK-3360 Unit
-	1 x User Manual (Simplified Chinese)
-	1 x Utility CD